

PEARL PARTS CATALOG



PARTS CATALOG

INTRODUCTION

This chapter instructs you the numbers and names of parts on this machine.

INDEX to PARTS CATALOG

**PEARL
DF Type 55**

**(C229)
(C578)**

PEARL (C229)

PARTS CATALOG

INTRODUCTION

This chapter instructs you the numbers and names of parts on this machine.

INDEX to PARTS CATALOG

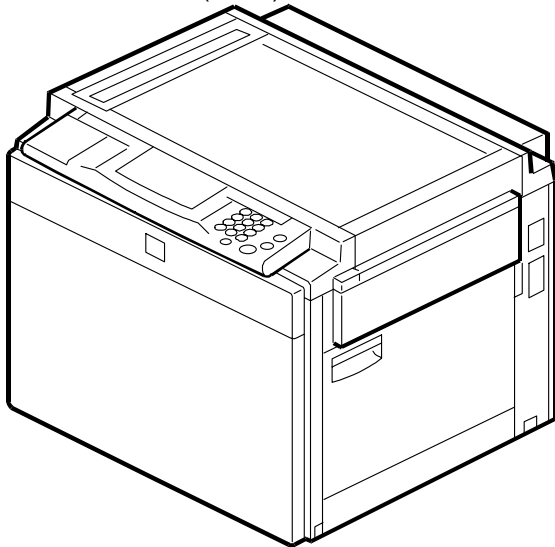
LOCATIO OF UNIT	2	18.PAPER EXIT SECTION 1 (C229).....	44
1.EXTERIOR 1 (C229)	10	19.PAPER EXIT SECTION 2 (C229).....	46
2.EXTERIOR 2 (C229)	12	20.PAPER EXIT SECTION 3 (C229).....	48
3.OPERATION PANEL (C229).....	14	21.DELEVERY TABLE 1 (C229)	50
4.PLATEN COVER (C229).....	16	22.DELEVERY TABLE 2 (C229)	52
5.FRAME SECTION 1 (C229)	18	23.DRUM UNIT 1 (C229).....	54
6.FRAME SECTION 2 (C229)	20	24.DRUM UNIT 2 (C229).....	56
7.DRIVE SECTION 1 (C229).....	22	25.DRUM UNIT 3 (C229).....	58
8.DRIVE SECTION 2 (C229).....	24	26.DRUM UNIT 4 (C229).....	60
9.DRIVE SECTION 3 (C229).....	26	27.DRUM UNIT 5 (C229).....	62
10.PAPER FEED SECTION 1 (C229).....	28	28.SCANNER UNIT 1 (C229).....	64
11.PAPER FEED SECTION 2 (C229).....	30	29.SCANNER UNIT 2 (C229).....	66
12.PAPER FEED SECTION 3 (C229).....	32	30.PLOTTER UNIT 1 (C229).....	68
13.PAPER FEED SECTION 4 (C229).....	34	31.PLOTTER UNIT 2 (C229).....	70
14.PAPER FEED SECTION 5 (C229).....	36	32.PLOTTER UNIT 3 (C229).....	72
15.PRESSUER CYLINDER 1 (C229).....	38	33.PLOTTER UNIT 4 (C229).....	74
16.PRESSUER CYLINDER 2 (C229).....	40	34.MASTER EJECT 1 (C229)	76
17.PRESSUER CYLINDER 3 (C229).....	42	35.MASTER EJECT 2 (C229)	78

June 30'98

36.MASTER EJECT 3 (C229)	80
37.ELECTRICAL SECTION 1 (C229)	82
38.ELECTRICAL SECTION 2 (C229)	84
39.OPTION DRUM (C229)	86
40.MPU BOARD (C229).....	88
41.I/O BOARD (C229)	92
42.DECAL AND DOCUMENT (C229)	96
43.SPECIAL TOOLS (C229)	98
PARTS INDEX	101

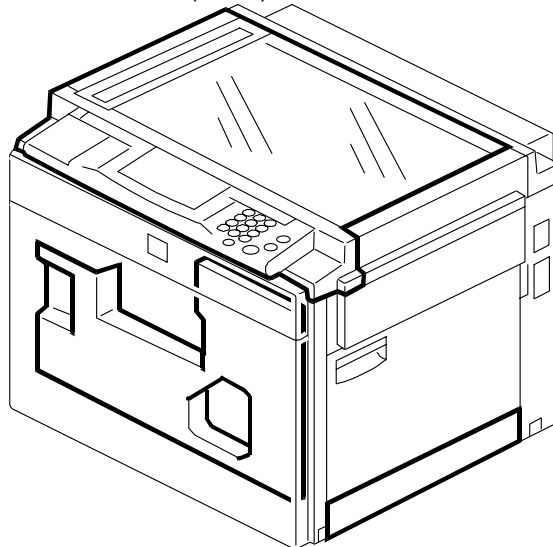
LOCATIO OF UNIT

1.EXTERIOR 1 (C229)



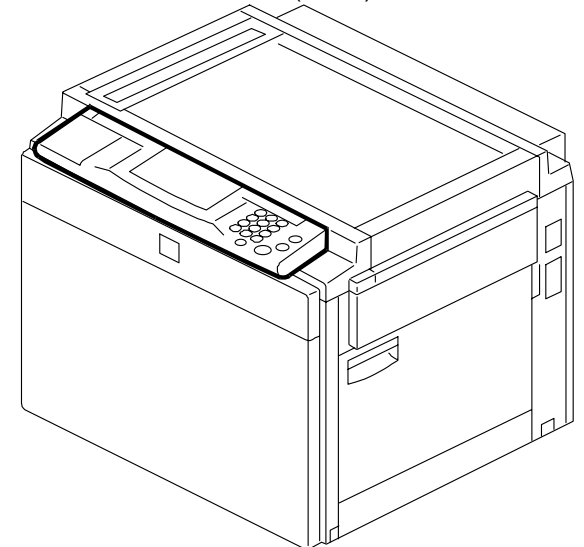
See Page 11

2.EXTERIOR 2 (C229)



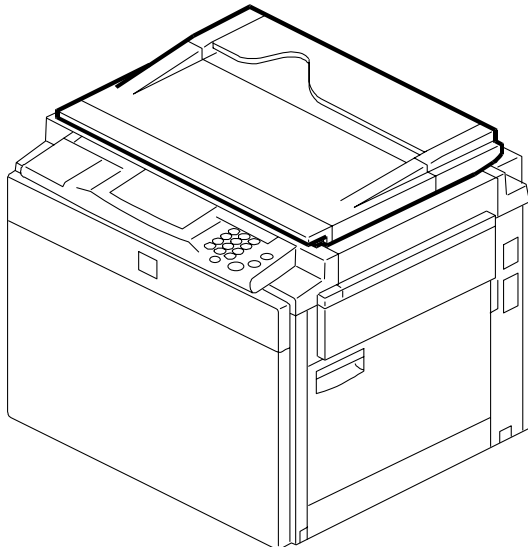
See Page 13

3.OPERATION PANEL (C229)



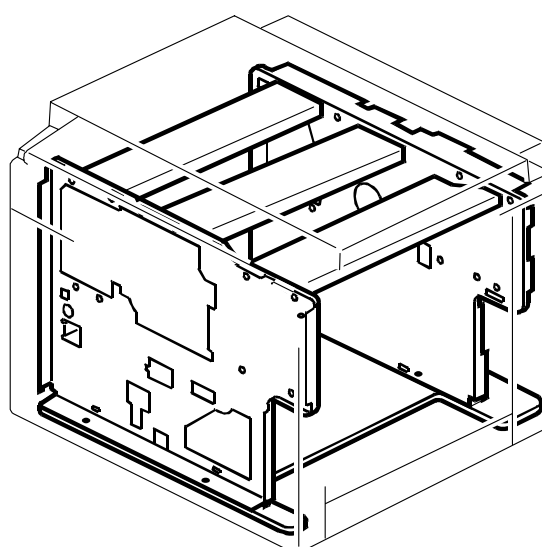
See Page 15

4.PLATEN COVER (C229)



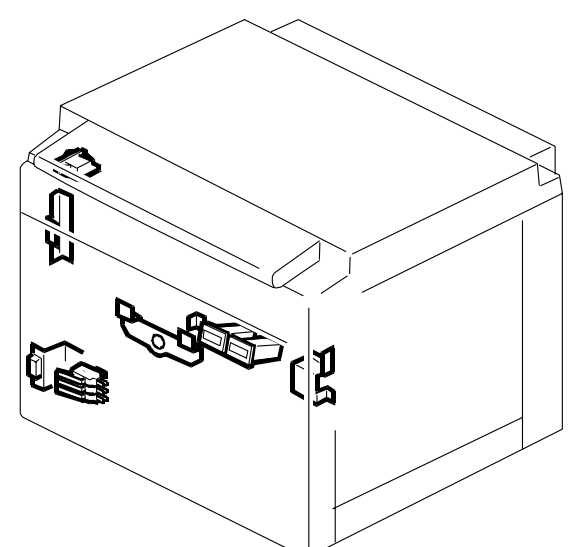
See Page 17

5.FRAME SECTION 1 (C229)



See Page 19

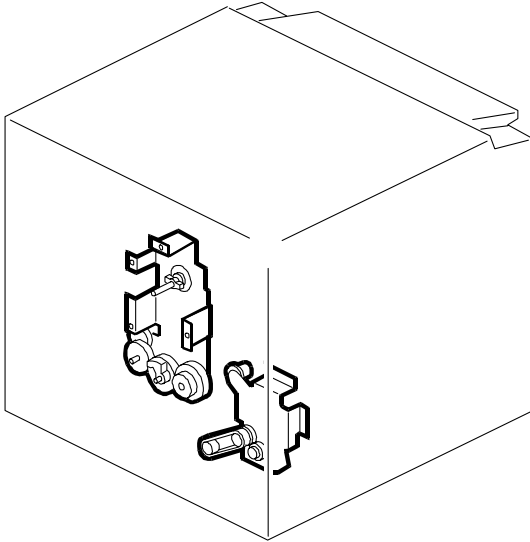
6.FRAME SECTION 2 (C229)



See Page 21

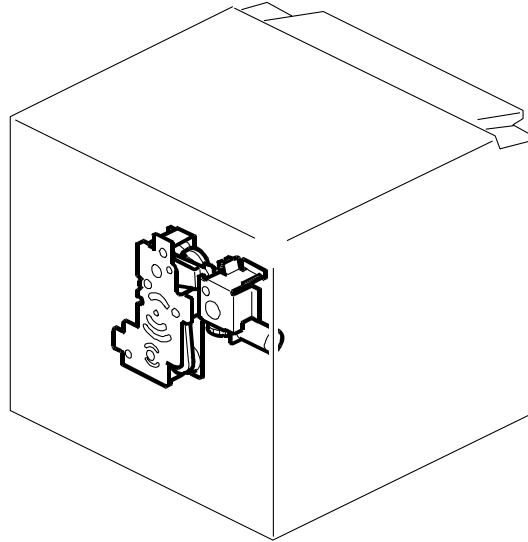
LOCATIO OF UNIT

7.DRIVE SECTION 1 (C229)



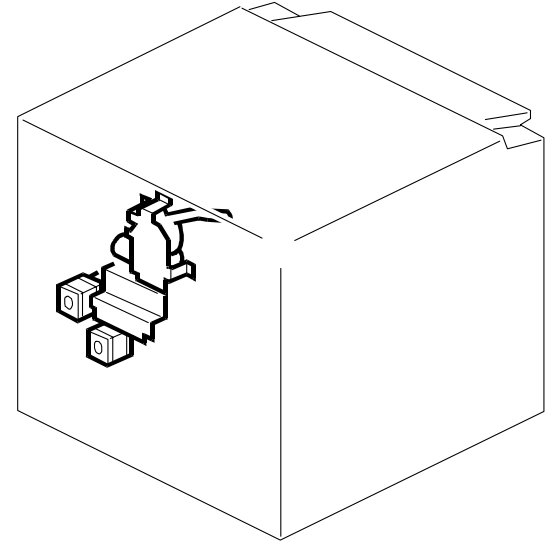
See Page 23

8.DRIVE SECTION 2 (C229)



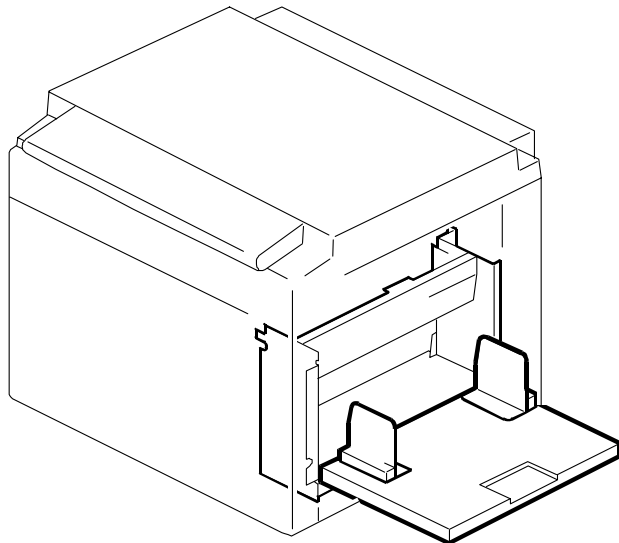
See Page 25

9.DRIVE SECTION 3 (C229)



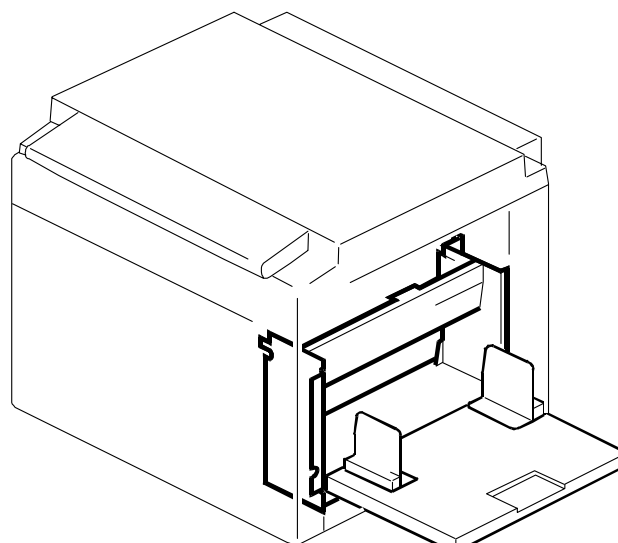
See Page 27

10.PAPER FEED SECTION 1 (C229)



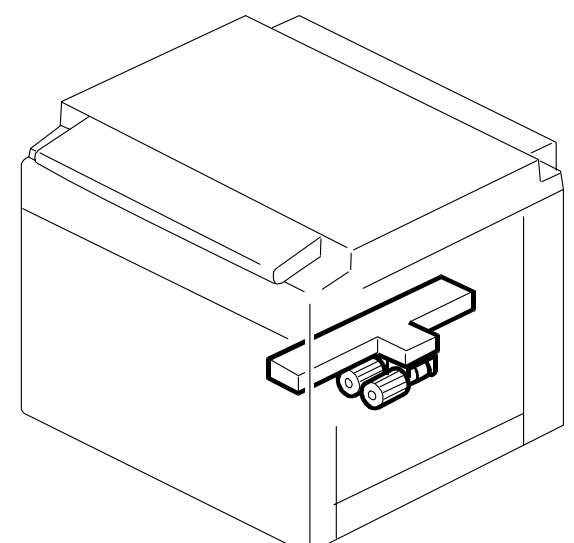
See Page 29

11.PAPER FEED SECTION 2 (C229)



See Page 31

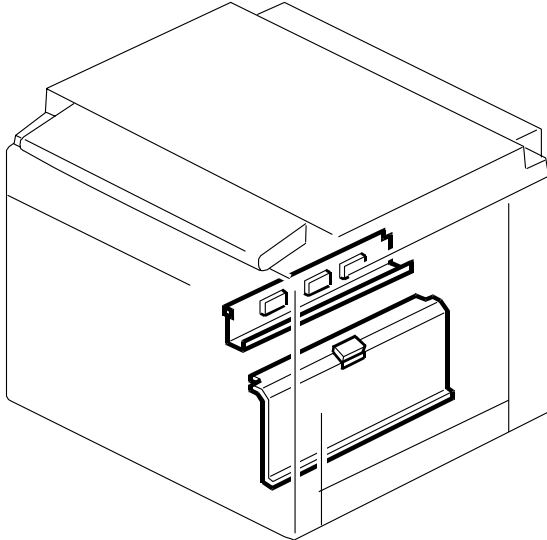
12.PAPER FEED SECTION 3 (C229)



See Page 33

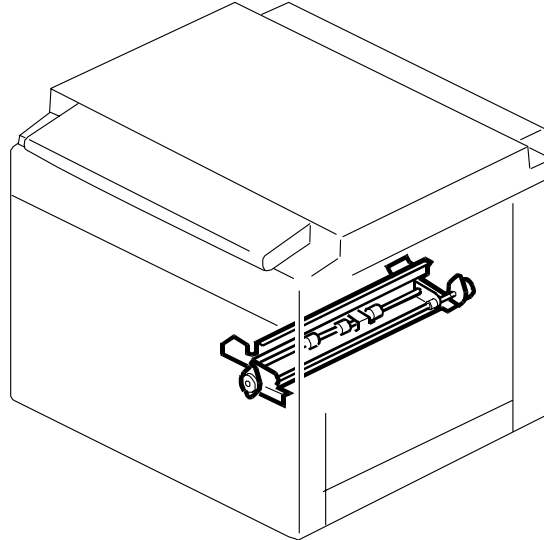
LOCATIO OF UNIT

13.PAPER FEED SECTION 4 (C229)



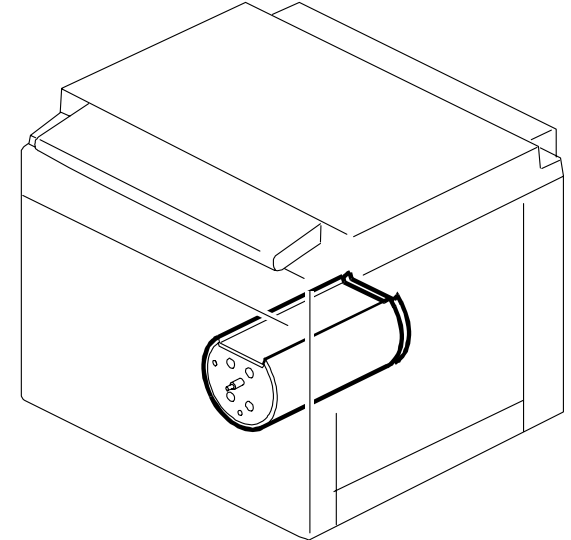
See Page 35

14.PAPER FEED SECTION 5 (C229)



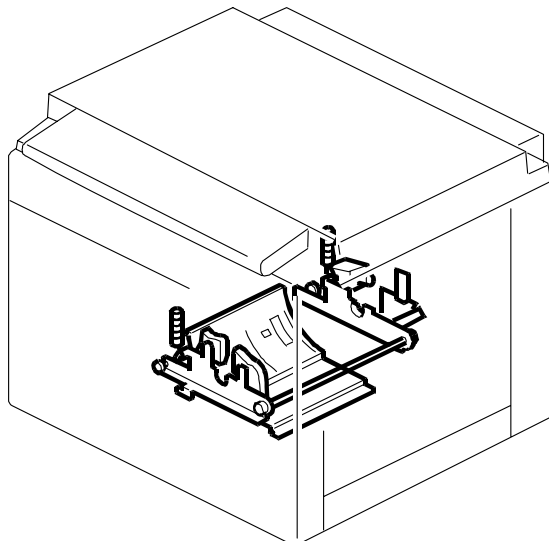
See Page 37

15.PRESSUER CYLINDER 1 (C229)



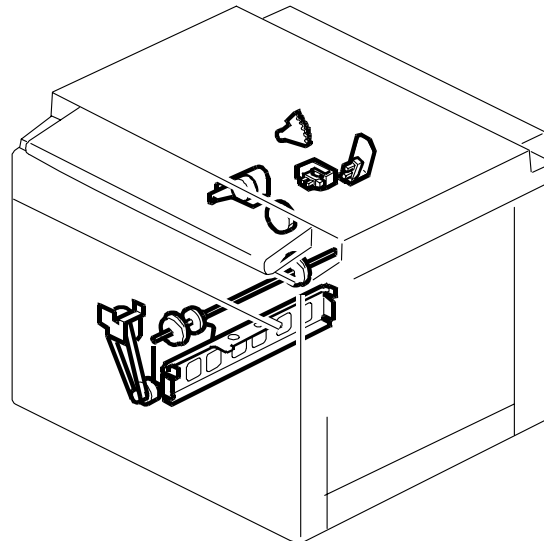
See Page 39

16.PRESSUER CYLINDER 2 (C229)



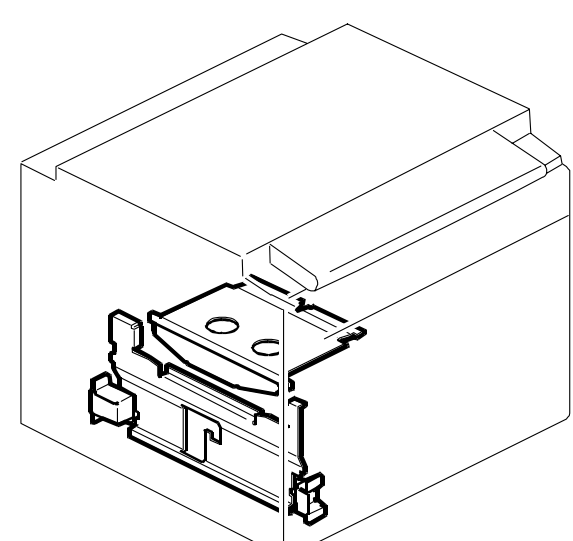
See Page 41

17.PRESSUER CYLINDER 3 (C229)



See Page 43

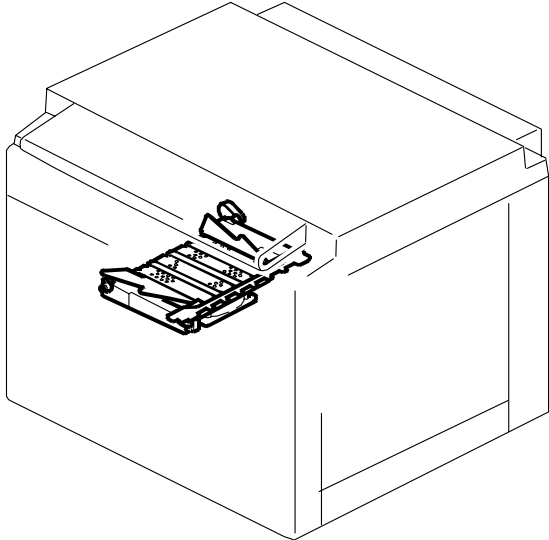
18.PAPER EXIT SECTION 1 (C229)



See Page 45

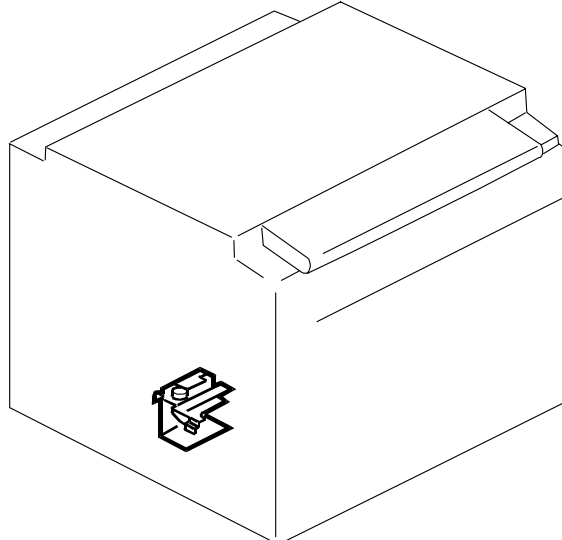
LOCATIO OF UNIT

19.PAPER EXIT SECTION 2 (C229)



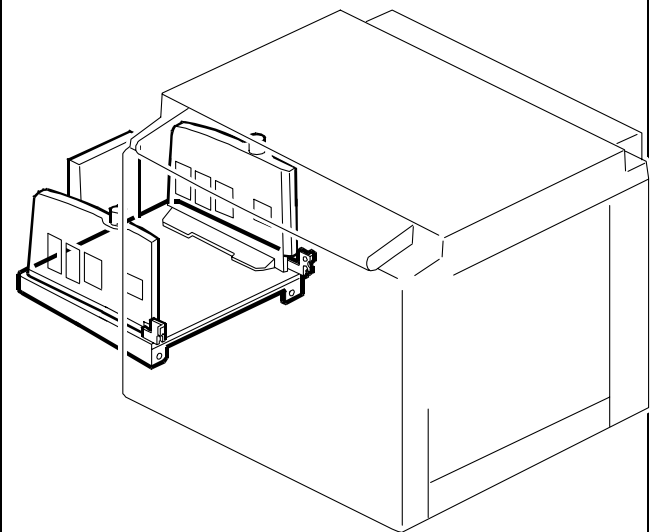
See Page 47

20.PAPER EXIT SECTION 3 (C229)



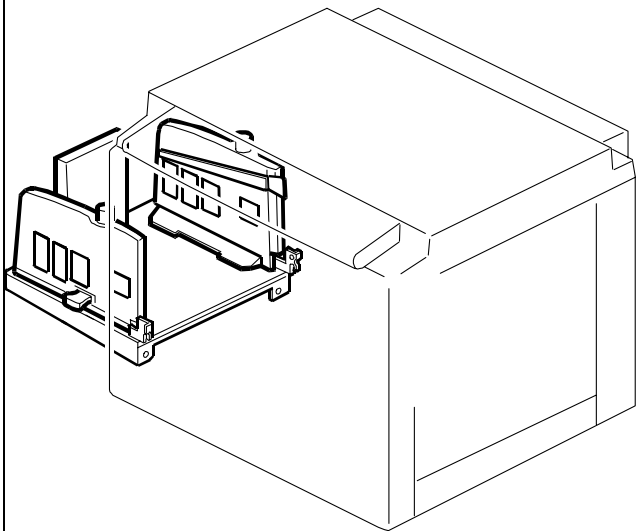
See Page 49

21.DELEVERY TABLE 1 (C229)



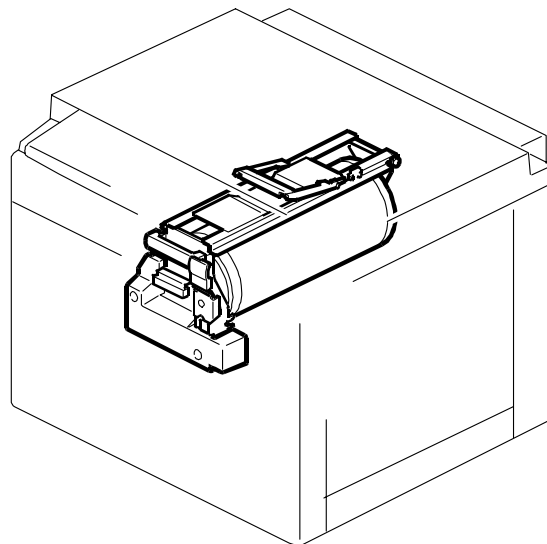
See Page 51

22.DELEVERY TABLE 2 (C229)



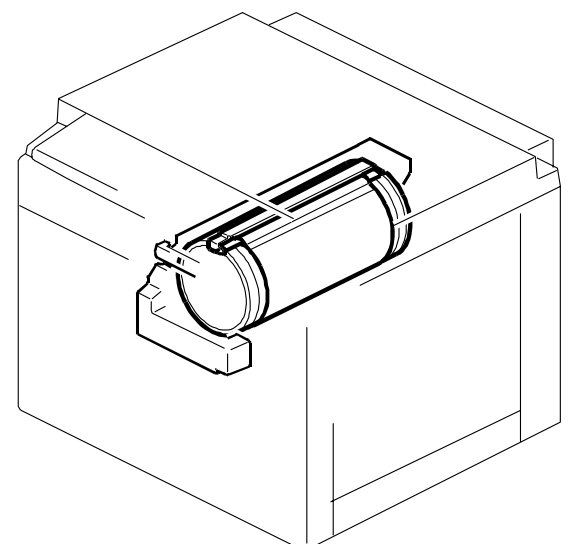
See Page 53

23.DRUM UNIT 1 (C229)



See Page 55

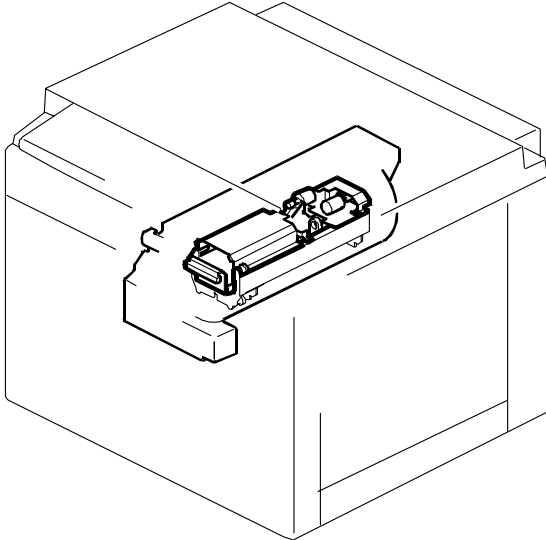
24.DRUM UNIT 2 (C229)



See Page 57

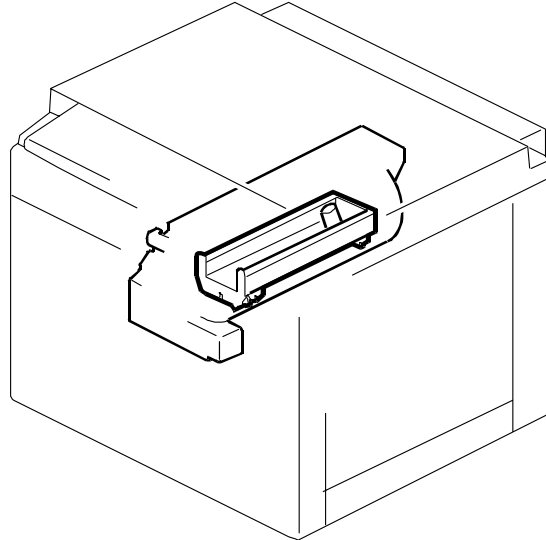
LOCATIO OF UNIT

25.DRUM UNIT 3 (C229)



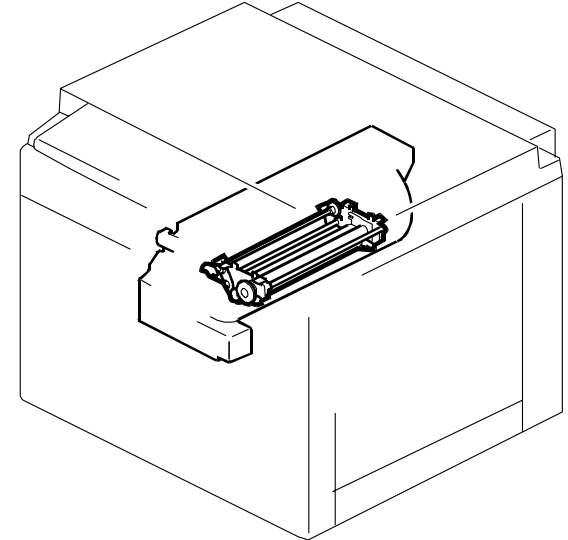
See Page 59

26.DRUM UNIT 4 (C229)



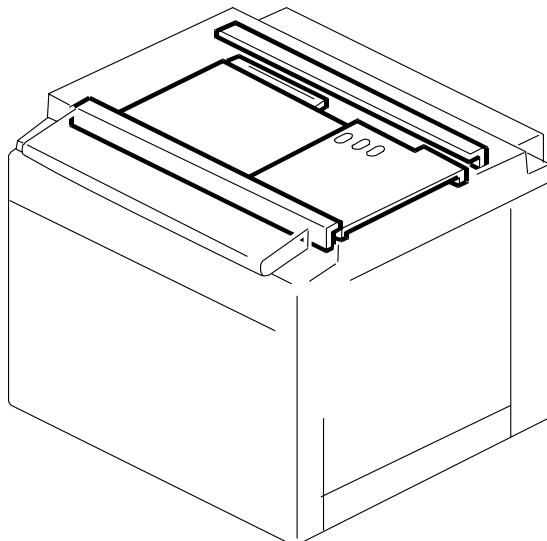
See Page 61

27.DRUM UNIT 5 (C229)



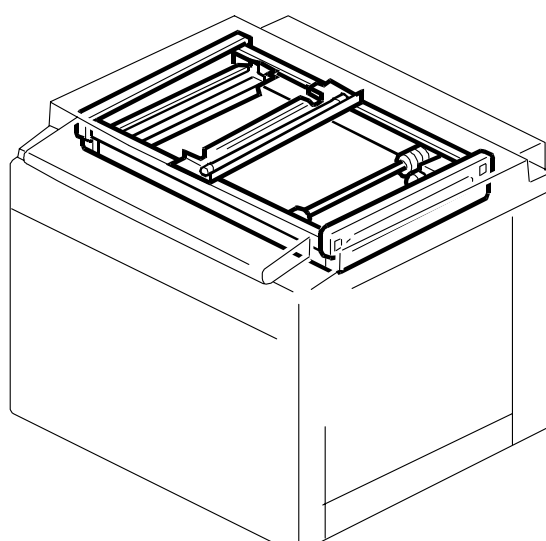
See Page 63

28.SCANNER UNIT 1 (C229)



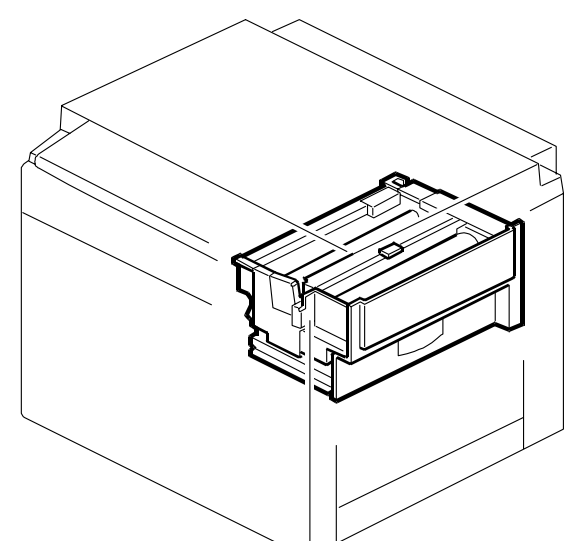
See Page 65

29.SCANNER UNIT 2 (C229)



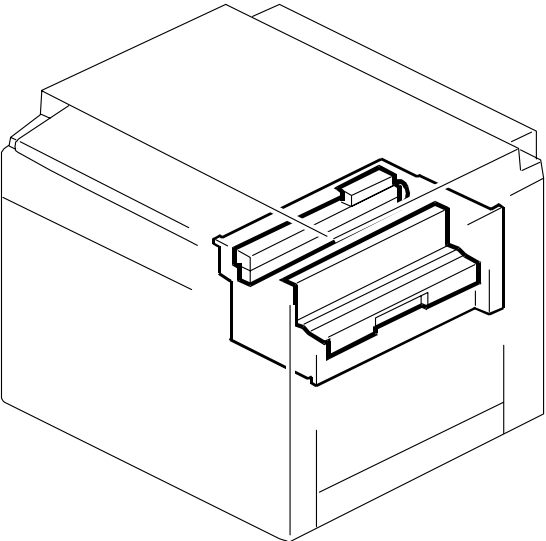
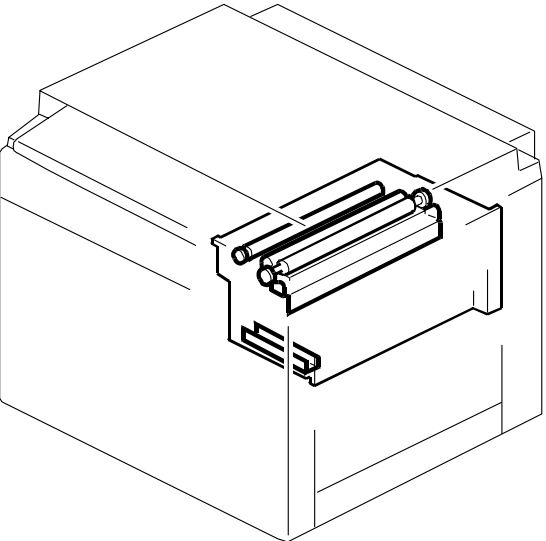
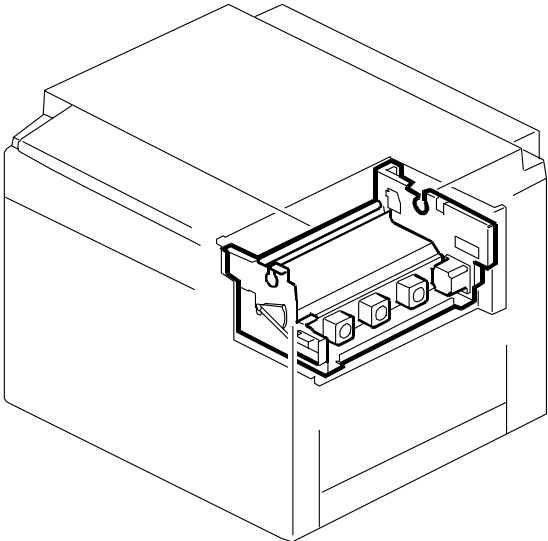
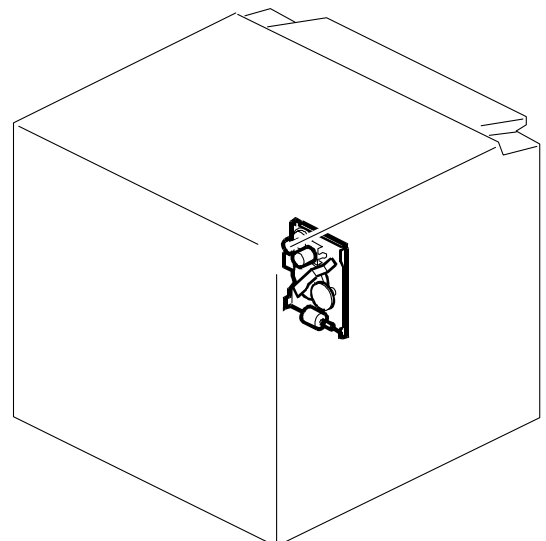
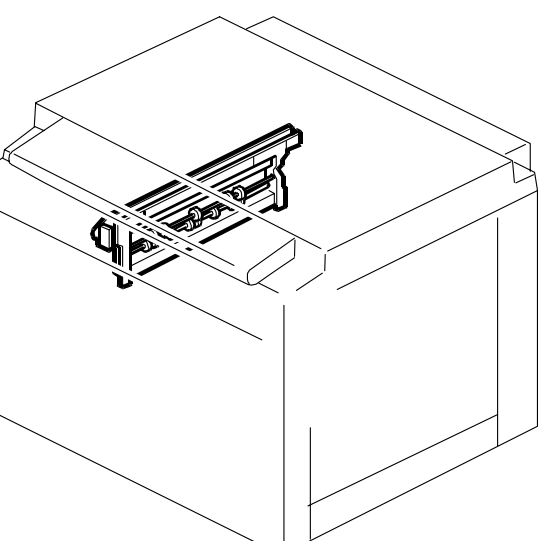
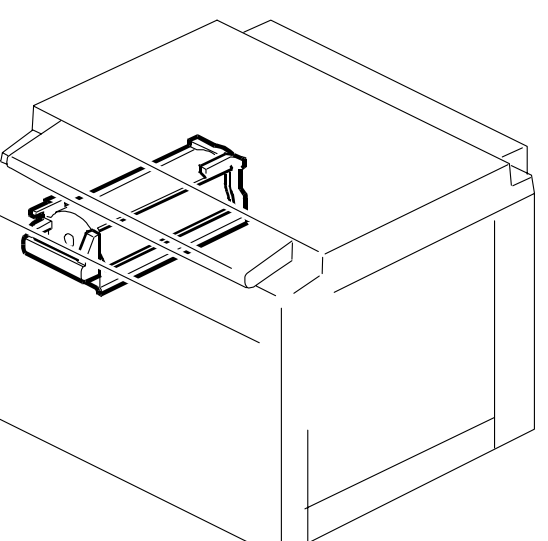
See Page 67

30.PLOTTER UNIT 1 (C229)



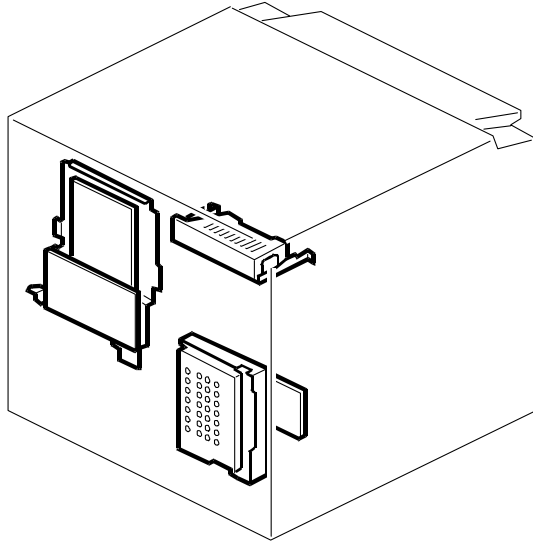
See Page 69

LOCATIO OF UNIT

<p>31.PLOTTER UNIT 2 (C229)</p>  <p>See Page 71</p>	<p>32.PLOTTER UNIT 3 (C229)</p>  <p>See Page 73</p>	<p>33.PLOTTER UNIT 4 (C229)</p>  <p>See Page 75</p>
<p>34.MASTER EJECT 1 (C229)</p>  <p>See Page 77</p>	<p>35.MASTER EJECT 2 (C229)</p>  <p>See Page 79</p>	<p>36.MASTER EJECT 3 (C229)</p>  <p>See Page 81</p>

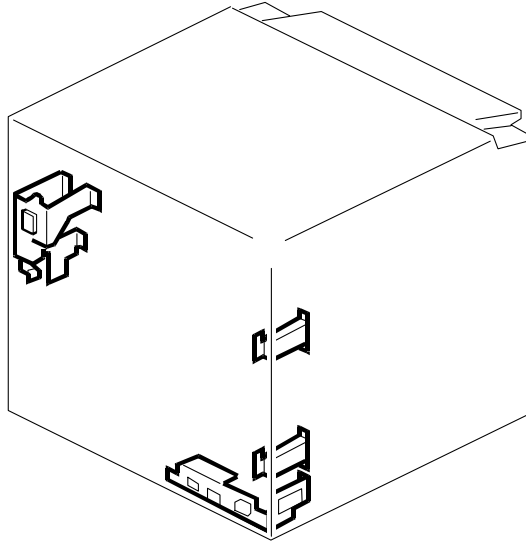
LOCATIO OF UNIT

37.ELECTRICAL SECTION 1 (C229)



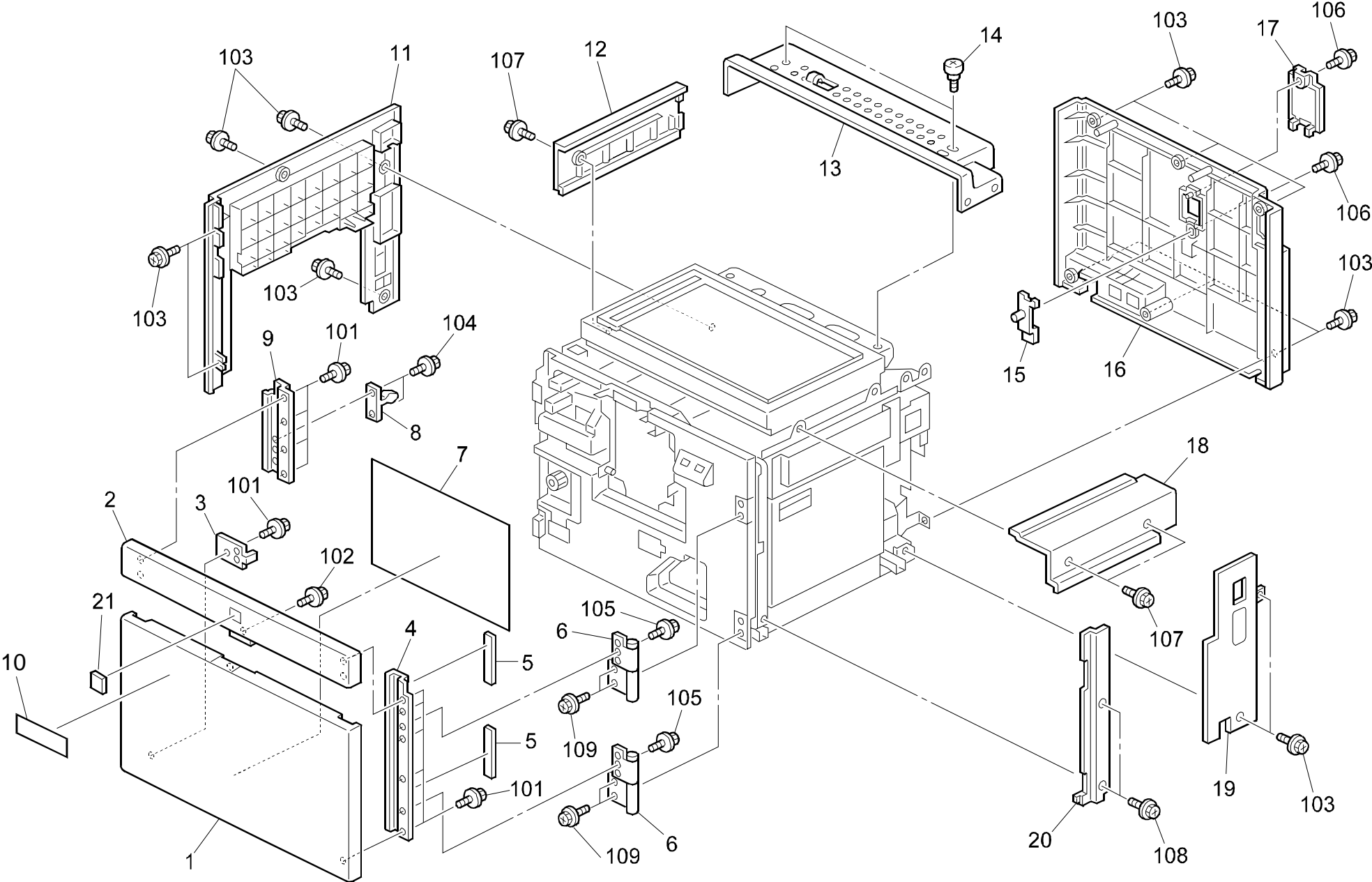
See Page 83

38.ELECTRICAL SECTION 2 (C229)



See Page 85

1.EXTERIOR 1 (C229)

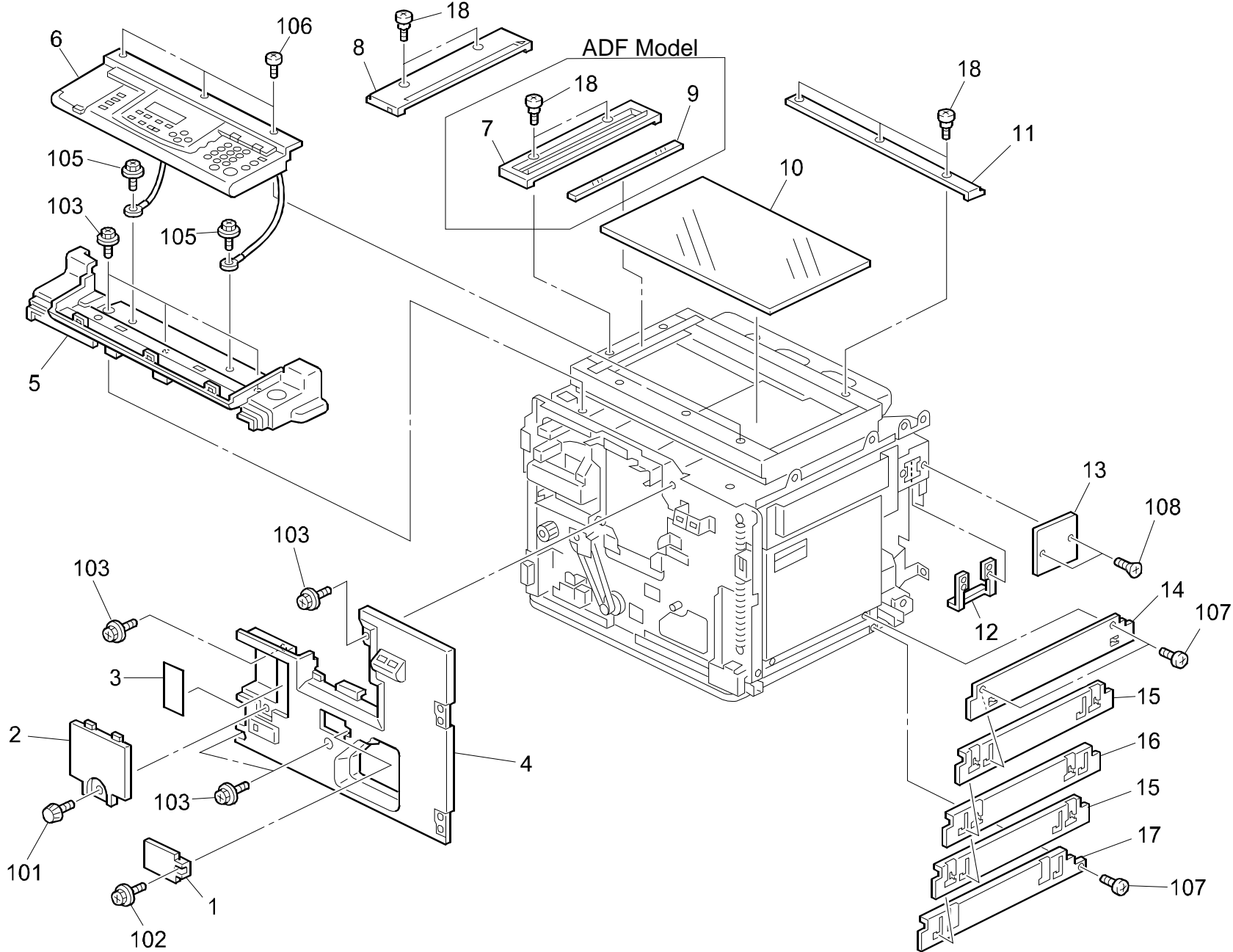


1.EXTERIOR 1 (C229)

Index No.	Part No.	Description	Q'ty Per Assembly
1	C229 1257	Front Door	1
2	C229 1255	Upper Door Cover	1
2	C229 1309	Upper Door Cover (OEM)	1
3	C229 1264	Safety Switch Bracket	1
4	C229 1258	Door Support Plate	1
5	C229 1254	Cushion - Front Door	2
6	C229 1260	Door Hinge Ass'y	2
7	C229 1350	Operation Sheet	1
8	A659 1272	Door Catch	1
9	C229 1259	Door Catch Bracket	1
10	C229 1341	Model Name Plate (GES/SVN)	1
10	C229 1344	Model Name Plate (GES/SVN)	1
10	C229 1342	Model Name Plate (NRG)	1
10	C229 1343	Model Name Plate (NRG)	1
11	C229 1276	Left Cover	1
12	C229 1297	Scanner Left Cover	1
13	C229 1295	Rear Upper Cover	1
14	A628 3111	ADF Stepped Screw	2
14	AA14 8447	Guide Pin - Platen Cover	2
15	C229 1282	ROM Guide	1
16	C229 1280	Rear Cover	1
17	A193 1354	Cap - Memory	1
18	C229 1296	Scanner Right Cover	1
19	C229 1270	Rear Right Cover	1
20	C229 1266	Front Right Cover	1
21	C226 2740	Emblem	1

Index No.	Part No.	Description	Q'ty Per Assembly
101	0450 4008B	Tapping Screw - 4x8	
102	0450 4010B	Tapping Screw - 4x10	
103	0451 4008Z	Tapping Screw 4x8	
104	0453 3006B	Tapping Screw - M3x6	
105	0451 4008B	Philips Tapping Screw - M4x8	
106	0802 5256	Tapping Screw - M3x8	
107	0451 3008Z	Tapping Screw - M3X8	
108	0451 4006Z	Tapping Screw 4x6	
109	0451 4010B	Tapping Screw - 4x10	

2.EXTERIOR 2 (C229)

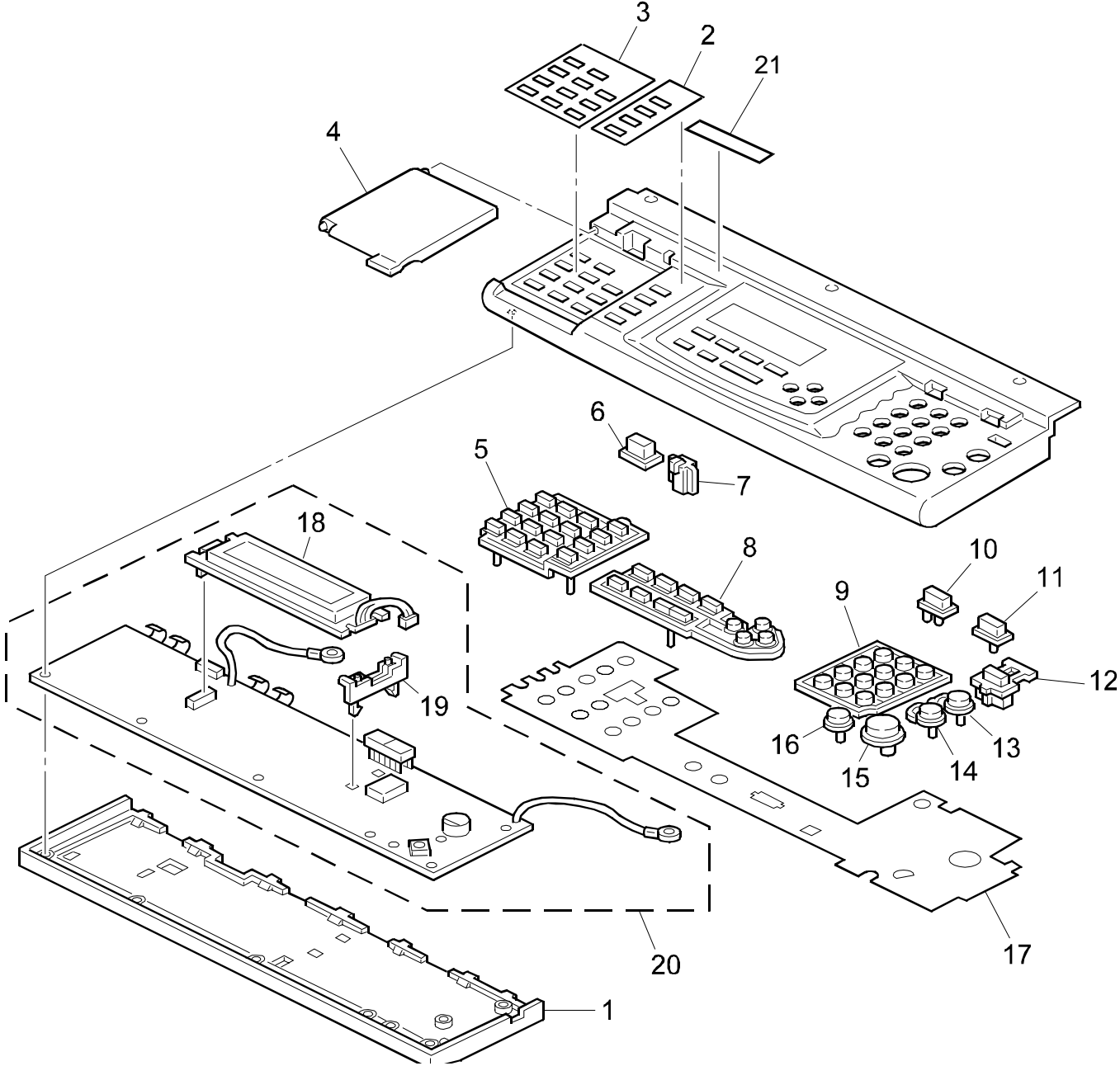


2.EXTERIOR 2 (C229)

Index No.	Part No.	Description	Q'ty Per Assembly
1	C229 1289	Small Cap	1
2	C229 1288	Knob Cover - Cylinder Cleaning	1
3	C229 1356	Decal - Cylinder Operation	1
4	C229 1287	Inner Cover	1
5	C229 1265	Operation Panel Lower Cover	1
6	C229 1456	Operation Panel Ass'y - LT	1
6	C229 1457	Operation Panel Ass'y - A4	1
6	C229 1458	Operation Panel Ass'y - Asis	1
7	A628 3192	Original Scale - LT	1
8	A193 1680	Left Original Scale	1
9	AC01 3004	Exposure Glass	1
10	5215 1980	Exposure Glass - A3T-3.2	1
11	A193 1757	Rear Original Scale	1
12	A030 1339	Plate Nut - Key Counter	1
13	C217 2455	Key Counter Cover	2
14	C229 2766	Upper Shield Plate	1
15	C229 2764	Lower Shield Plate A	2
16	C229 2765	Lower Shield Plate B	1
17	C229 2763	Lower Shield Plate	1
18	A193 1759	Stepped Screw	2

Index No.	Part No.	Description	Q'ty Per Assembly
101	0804 6058	Knob Screw	
102	0450 3008W	Philips Tapping Screw - M3x8	
103	0451 4008Z	Tapping Screw 4x8	
104	0451 4006B	Tapping Screw - 4x6	
105	0451 3006B	Tapping Screw - M3x6	
106	0353 0040Z	Binding Head Screw M3x4 (100pcs)	
107	0453 4008Z	Tapping Bind Screw - M4x8	
108	0323 0100Z	Philips Sunken Head Screw - M3x10	

3.OPERATION PANEL (C229)

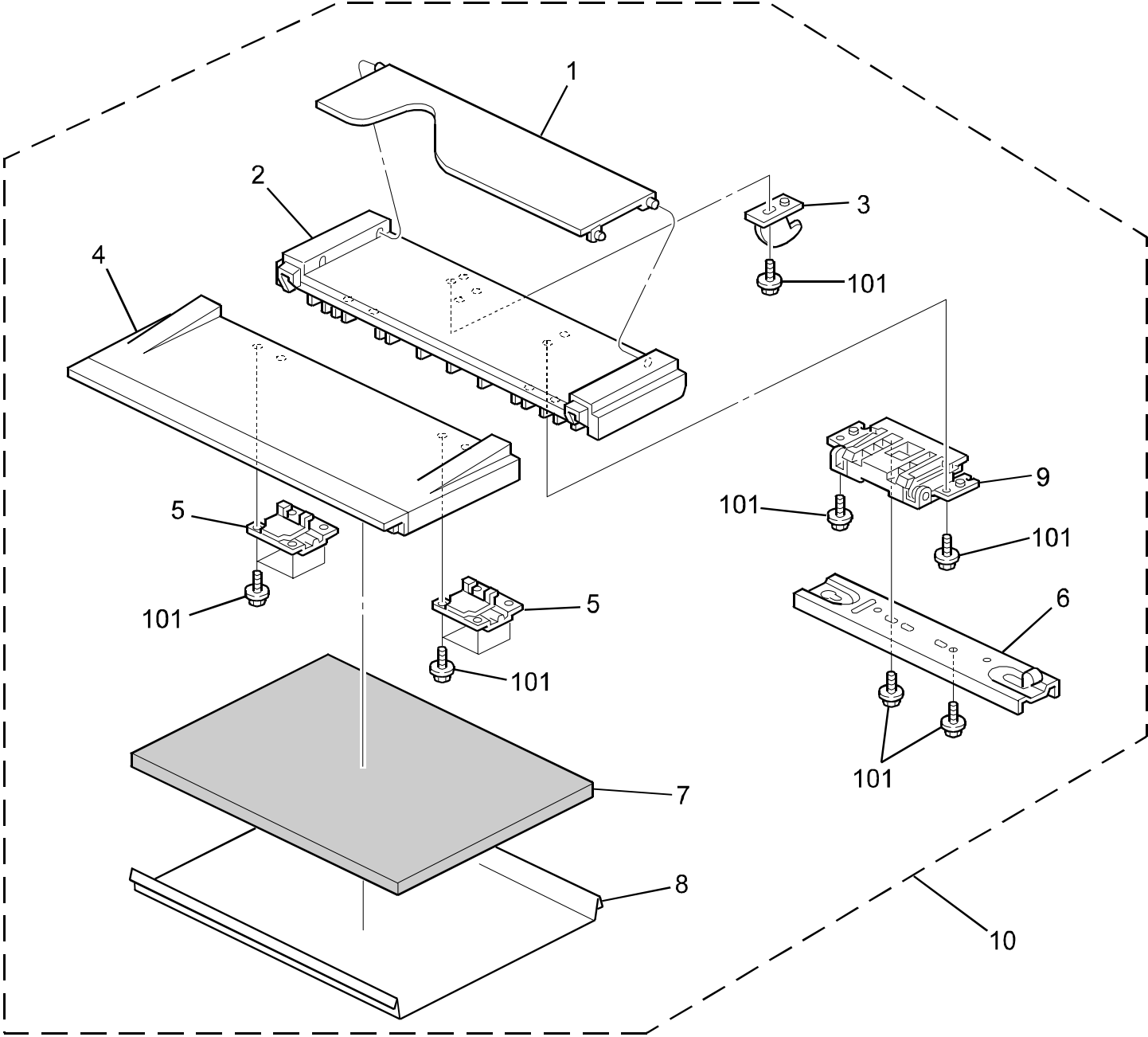


3.OPERATION PANEL (C229)

Index No.	Part No.	Description	Q'ty Per Assembly
1	C229 1473	Operation Panel Lower Case	1
2	C229 1512	On Line Sheet - LT	1
2	C229 1515	On Line Sheet - A4	1
3	C229 1513	Sheet Behind - LT	1
3	C229 1516	Sheet Behind - A4	1
4	C229 1472	Cover Behind	1
5	C229 1490	Key-top Behind	1
6	C229 1488	Key-top Initialis	1
7	C229 1474	LED Display	1
8	C229 1489	Key-top Display Monitor	1
9	C229 1484	Key-top 10 Key	1
10	C229 1487	Key-top Program	1
11	C229 1486	Key-top Clear Modes	1
12	C229 1485	Key-top Auto Cycle	1
13	C229 1483	Key-top Proof	1
14	C229 1482	Key-top Start	1
15	C229 1480	Key-top Start	1
16	C229 1481	Key-tp Stop	1
17	C229 1509	Preventfence Sheet	1
18	C229 5165	LCD Display Ass'y	1
19	C229 1508	LCD Spacer	1
20	C229 5160	Operation Panel Board	1
21	A153 6409	Decal - Keytop Cover (NRG)	1
21	C225 2866	Decal - Keytop Cover (NRG)	1
21	C225 2867	Decal - Keytop Cover (Nasua)	1

Index No.	Part No.	Description	Q'ty Per Assembly

4.PLATEN COVER (C229)

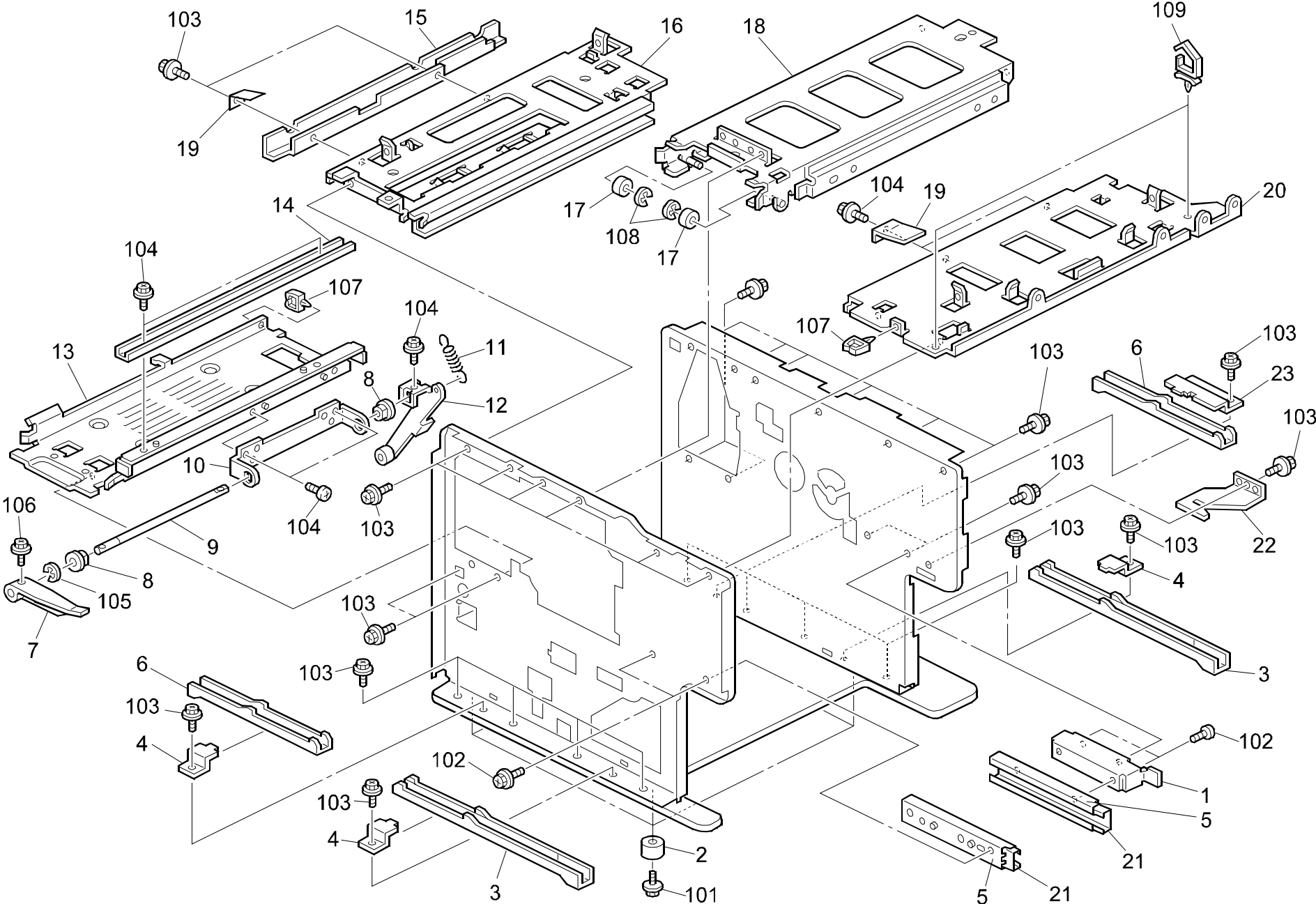


4.PLATEN COVER (C229)

Index No.	Part No.	Description	Q'ty Per Assembly
1	A193 1396	Original Holder	1
2	A193 1391	Rear Platen Cover	1
3	A193 1381	Platen Cover Actuator	1
4	A193 1386	Front Platen Cover	1
5	A053 1957	Flex Hinge - Platen Cover	2
6	A193 1317	Bracket - Platen Cover	1
7	AA16 2067	Platen Cover Pad	1
8	5448 2804	Platen Cover Sheet	1
9	A193 1246	Platen Cover Hinge Ass'y	1
10	A193 1231	Platen Cover Ass'y	1

Index No.	Part No.	Description	Q'ty Per Assembly
101	0450 4012	Tapping Screw - M4x12	

5.FRAME SECTION 1 (C229)

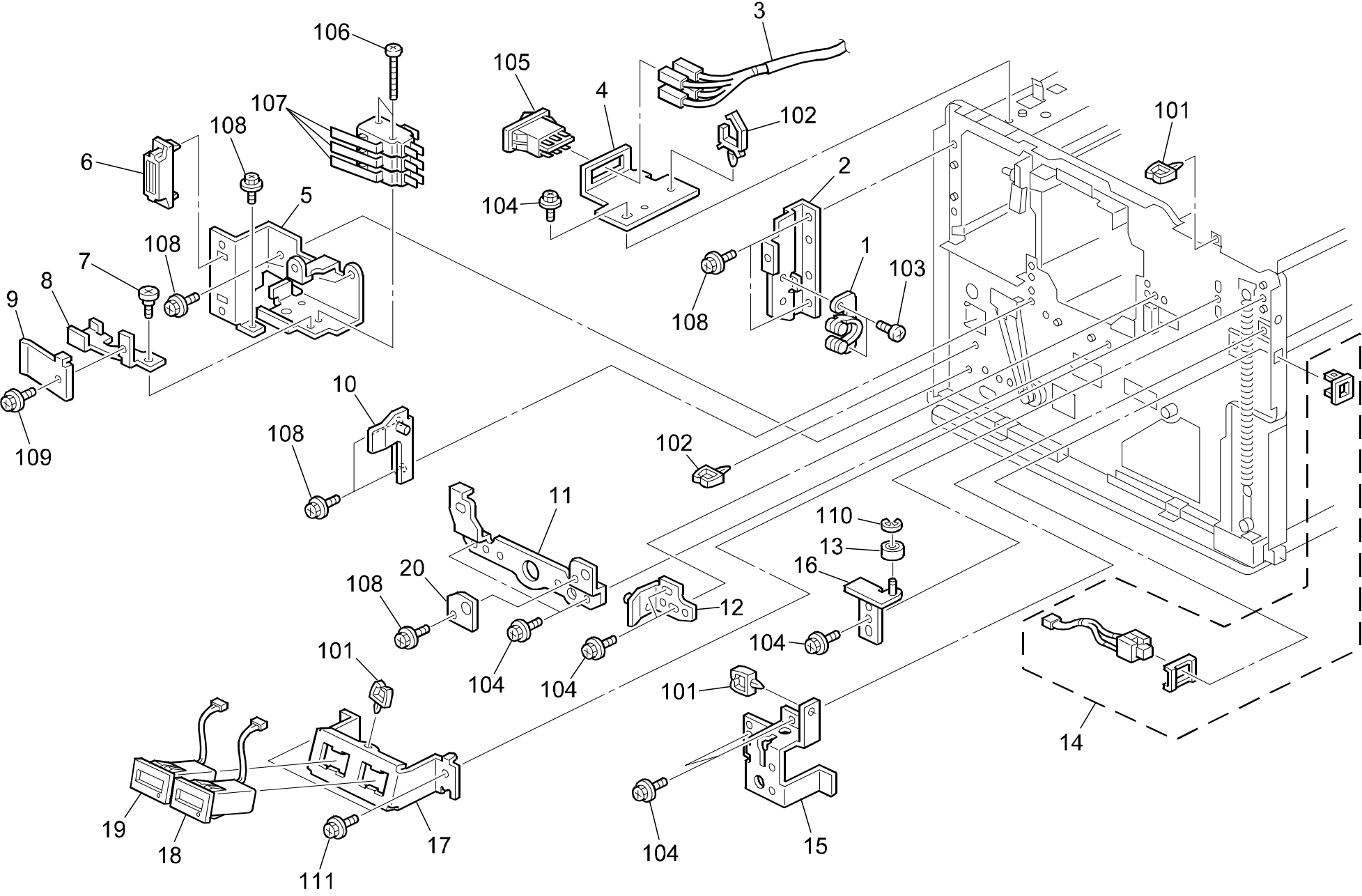


5.FRAME SECTION 1 (C229)

Index No.	Part No.	Description	Q'ty Per Assembly
1	C229 2277	Plotter Rail Bracket	1
2	C229 1096	Stand M28	4
3	C229 1070	Grip Plate - Long	2
4	C229 1072	Grip Guide Bracket	4
5	C229 2275	Plotter Rail	2
6	C229 1071	Grip Plate - Short	2
7	C229 3978	Paper Exit Pawl	1
8	5053 0223	Bushing - 8mm	2
9	C229 3977	Paper Exit Pawl Shaft	1
10	C229 3973	Paper Exit Pawl Bracket	1
11	C229 3975	Paper Exit Pawl Spring	1
12	C229 3968	Paper Exit Pawl Lever	1
13	C229 3597	Lower Stay	1
14	C229 3596	Lower Guide Stay - Transfer Roller	1
15	C229 1078	Harness Cover	1
16	C229 3590	Upper Stay	1
17	C229 2615	Slide Rail Roller	2
18	C229 2611	Drum Rail Stay	1
19	C229 5638	Grounding Plate	2
20	C229 1077	Right Lower Stay - Scanner	1
21	C229 2276	Middle Plotter Rail	2
22	C229 2264	Rear Stopper - Plotter	1
23	C229 1073	Right Grip Cover - Rear	1

Index No.	Part No.	Description	Q'ty Per Assembly
101	0451 4010B	Tapping Screw - 4x10	
102	0801 1004	Screw - M4X4	
103	0451 4006B	Tapping Screw - 4x6	
104	0451 3006B	Tapping Screw - M3x6	
105	0720 0060E	Retaining Ring - M6	
106	0951 3006Z	Philips Screw With Flat Washer - M3	
107	1105 0199	Clamp	
108	0720 0040E	Retaining Ring - M4	
109	1105 0310	Harness Clamp - LWS-1S	
110	0451 4008B	Tapping Screw - 4x8	

6.FRAME SECTION 2 (C229)

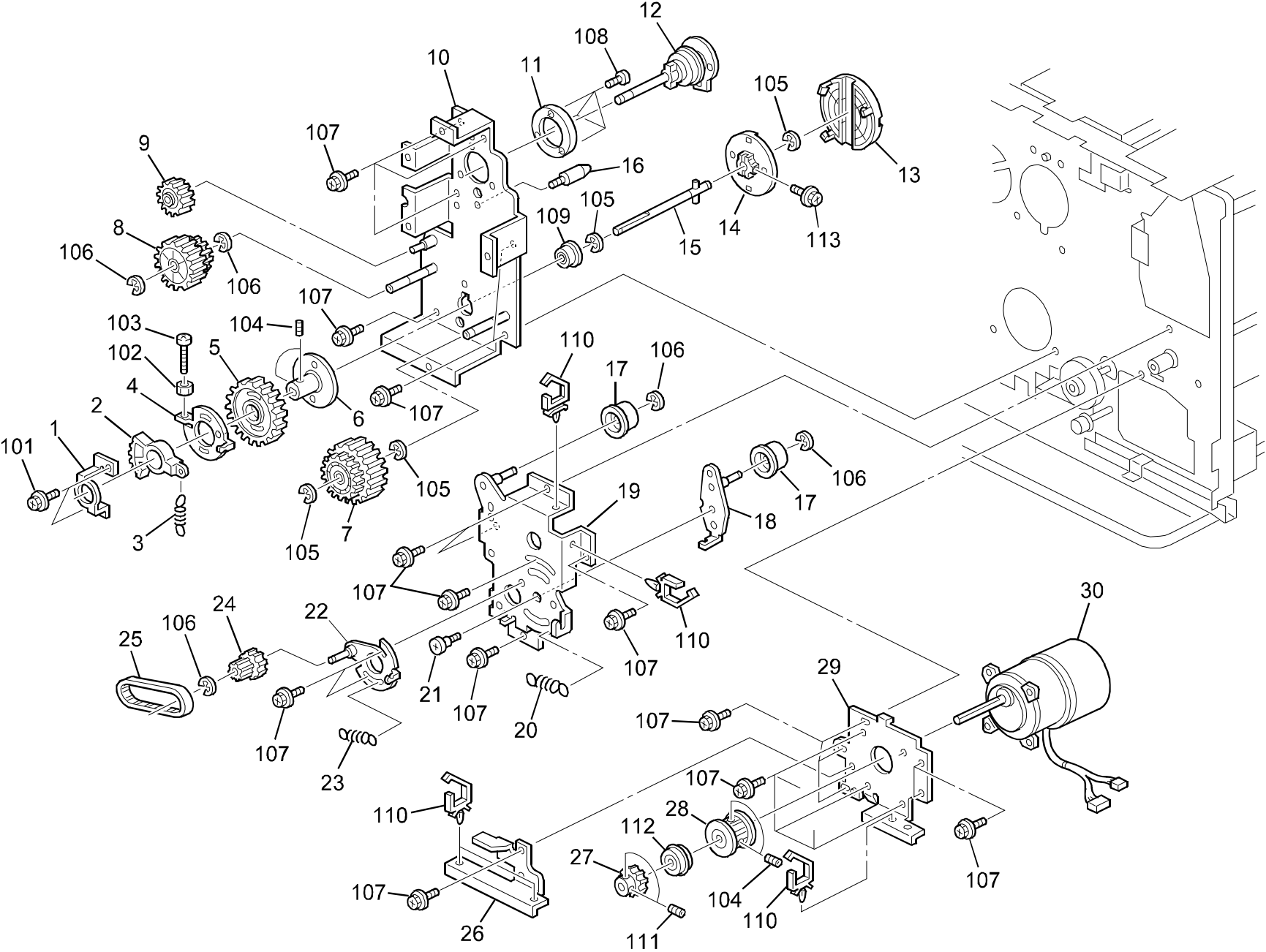


6.FRAME SECTION 2 (C229)

Index No.	Part No.	Description	Q'ty Per Assembly
1	AG07 1009	Rotary Catch	1
2	C229 1272	Left Cover Bracket	1
3	C229 5216	Main Switch Harness	1
4	C229 5631	Main Switch Bracket	1
5	C229 5644	Safety Switch Bracket	1
6	AG07 1010	Magnet Catch	1
7	AA14 3005	Stepped Screw - M4x2.5	1
8	C229 5645	Safety Switch Lever	1
9	C229 5646	Safety Switch Spring	1
10	C229 2619	Left Drum Lock Pin	1
11	C229 2625	Drum Position Plate	1
12	C229 2616	Right Drum Lock Pin	1
13	C229 2281	Master Tension Roller	1
14	C209 8288	Table Down Switch	1
15	C229 1290	Upper Right Support Plate	1
16	C229 2279	Tension Bracket	1
17	C229 5614	Total Counter Bracket	1
18	C229 5812	Print Counter	1
19	AX31 0024	Total Counter	1
20	C229 2626	Drum Position Plate - Small	1

Index No.	Part No.	Description	Q'ty Per Assembly
101	1105 0199	Clamp	
102	1105 0310	Harness Clamp - LWS-1S	
103	0353 0050B	Philips Truss Head Screw - M3x5	
104	0451 4006B	Tapping Screw - 4x6	
105	1204 1545	Main Switch	
106	0313 0350B	Philips Pan Head Screw - M3x35	
107	1204 2356	Micro Switch - Am51612a531	
108	0451 4008B	Philips Tapping Screw - M4x8	
109	0451 3005B	Tapping Screw - M3x5	
110	0720 0030E	Retaining Ring - M3	
111	0451 3006B	Tapping Screw - M3x6	

7.DRIVE SECTION 1 (C229)

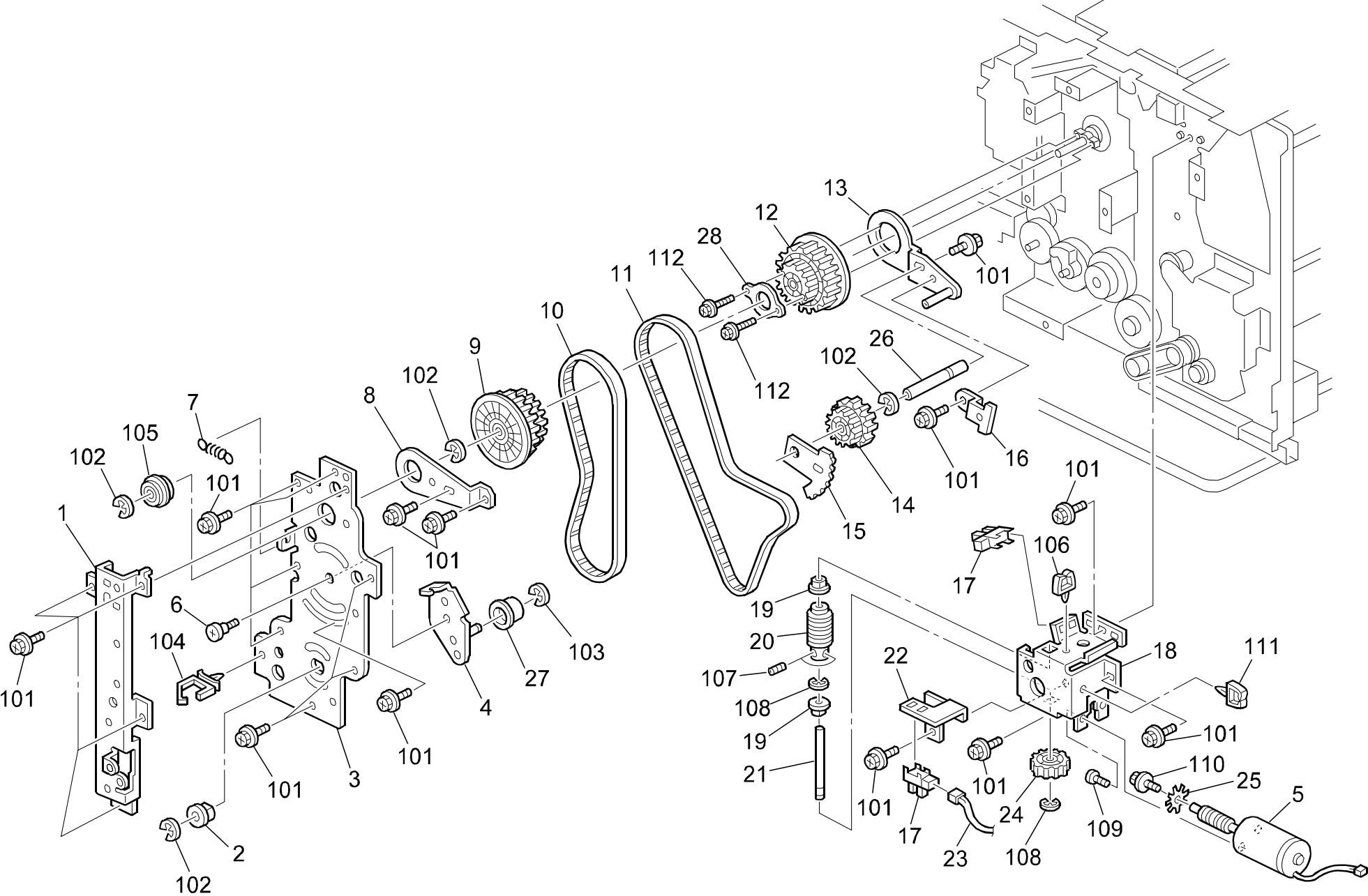


7.DRIVE SECTION 1 (C229)

Index No.	Part No.	Description	Q'ty Per Assembly
1	C229 3185	Gear Adjuster	1
2	C229 3183	Pressure Cylinder Sub Gear	1
3	C229 3186	Pressure Spring	1
4	C229 3184	Stopper Flange	1
5	C229 3182	Pressure Cylinder Gear	1
6	C229 3181	Adjusting Cam	1
7	C229 1198	Lower Timing Pulley - Cylinder Drive	1
8	C229 1140	Feed Roller Drive Gear	1
9	C207 4672	Gear - 36Z	1
10	C229 1101	Gear Bracket	1
11	C229 1191	Drum Guide Ring	1
12	C229 1090	Drum Drive Shaft	1
13	C229 3191	Joint Core	1
14	C229 3196	Joint Flange	1
15	C229 1028	Pressure Cylinder Drive Shaft	1
16	C229 1192	Drum Guide Pin	1
17	C229 1145	Belt Tension Roller	2
18	C229 1157	Tension Bracket	1
19	C229 1182	Tension Holder	1
20	C229 1143	Tension Spring	1
21	C201 5125	Stepped Screw - M6	1
22	C229 1148	Belt Tightner	1
23	C229 1173	Dial Spring	1
24	C229 1151	Gear Pulley	1
25	C229 1154	Timin Belt	1
26	C229 1180	Harness Guide	1
27	C229 1147	Motor Gear	1
28	C229 1102	Timing Pulley - Main Motor	1
29	C229 1105	Main Motor Bracket	1
30	C229 5800	Main Motor - DC24V 100W	1

Index No.	Part No.	Description	Q'ty Per Assembly
101	0595 0080E	Hexagon Bolt - M5x8	
102	0710 0040B	Hexagon Nut - M4	
103	0314 0160B	Philips Pan Head Screw - M4x16	
104	0575 0050E	Hexagon Headless Set Screw - M5x5	
105	0720 0080E	Retaining Ring - M8	
106	0720 0060E	Retaining Ring - M6	
107	0451 4006B	Tapping Screw - 4x6	
108	0801 1004	Screw - M4X4	
109	0805 3205	Ball Bearing - 10x19x7mm	
110	1105 0413	Harness Clamp	
111	0574 0050E	Hexagon Headless Set Screw - M4x5	
112	0805 3134	Ball Bearing - 10x26x8mm	
113	0451 4008B	Philips Tapping Screw - M4x8	

8.DRIVE SECTION 2 (C229)

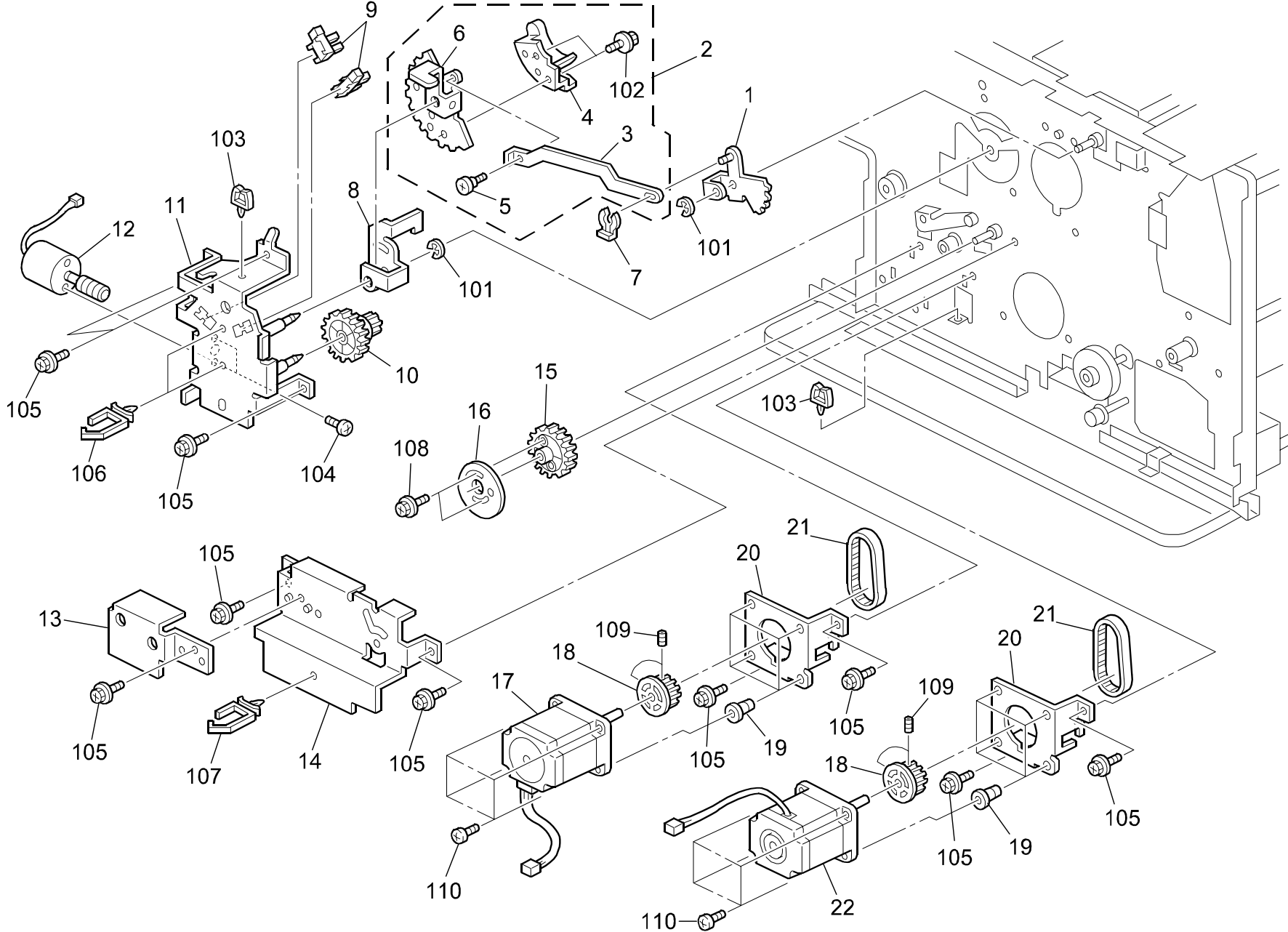


8.DRIVE SECTION 2 (C229)

Index No.	Part No.	Description	Q'ty Per Assembly
1	C229 5628	Board Holder Stay	1
2	5053 0419	Bushing - 10mm	1
3	C229 1128	Drive Support Bracket	1
4	C229 1157	Belt Tension Bracket	1
5	C229 5820	DC Motor - 20W	1
6	C201 5125	Stepped Screw - M6	1
7	C229 1143	Tension Spring	1
8	C229 1127	Right Support Plate	1
9	C229 1094	Timing Pulley - Pressure Cylinder	1
10	C229 1187	Timing Belt - Pressure Cylinder Drive	1
11	C229 1142	Timing Belt - S5M780	1
12	C229 1092	Timing Pulley - Drum Drive	1
13	C229 1123	Left Image Shaft Support Plate	1
14	C229 1130	Relay Gear Ass'y	1
15	C229 1124	Sector Gear - Image Shift	1
16	C229 1126	Sensor Acuator	1
17	AW02 0075	Photointerrupter	2
18	C229 1174	Image Shift Motor Bracket	1
19	5053 0447	Bushing - 6mm	2
20	C229 1175	Worm Wheel	1
21	C229 1179	Image Shift Drive Shaft	1
22	C229 1178	Sensor Bracket	1
23	C229 5232	Encoder Harness	1
24	C229 1176	Worm Gear	1
25	C229 1177	Image Position Sensor Actuator	1
26	C229 1121	Relay Gear Shaft	1
27	C229 1145	Belt Tension Roller	1
28	C229 1093	Timing Pulley Bracket	1

Index No.	Part No.	Description	Q'ty Per Assembly
101	0451 4006B	Tapping Screw - 4x6	
102	0720 0080E	Retaining Ring - M8	
103	0720 0060E	Retaining Ring - M6	
104	1105 0413	Harness Clamp	
105	0805 3134	Ball Bearing - 10x26x8mm	
106	1105 0199	Clamp	
107	0573 0040E	Hexagon Headless Set Screw - M3x4	
108	0720 0040E	Retaining Ring - M4	
109	0353 0040B	Screw - M3X4	
110	0451 3006B	Tapping Screw - M3x6	
111	1105 0229	Clamp	
112	0314 0200B	Philips Pan Head Screw - M4x20	

9.DRIVE SECTION 3 (C229)



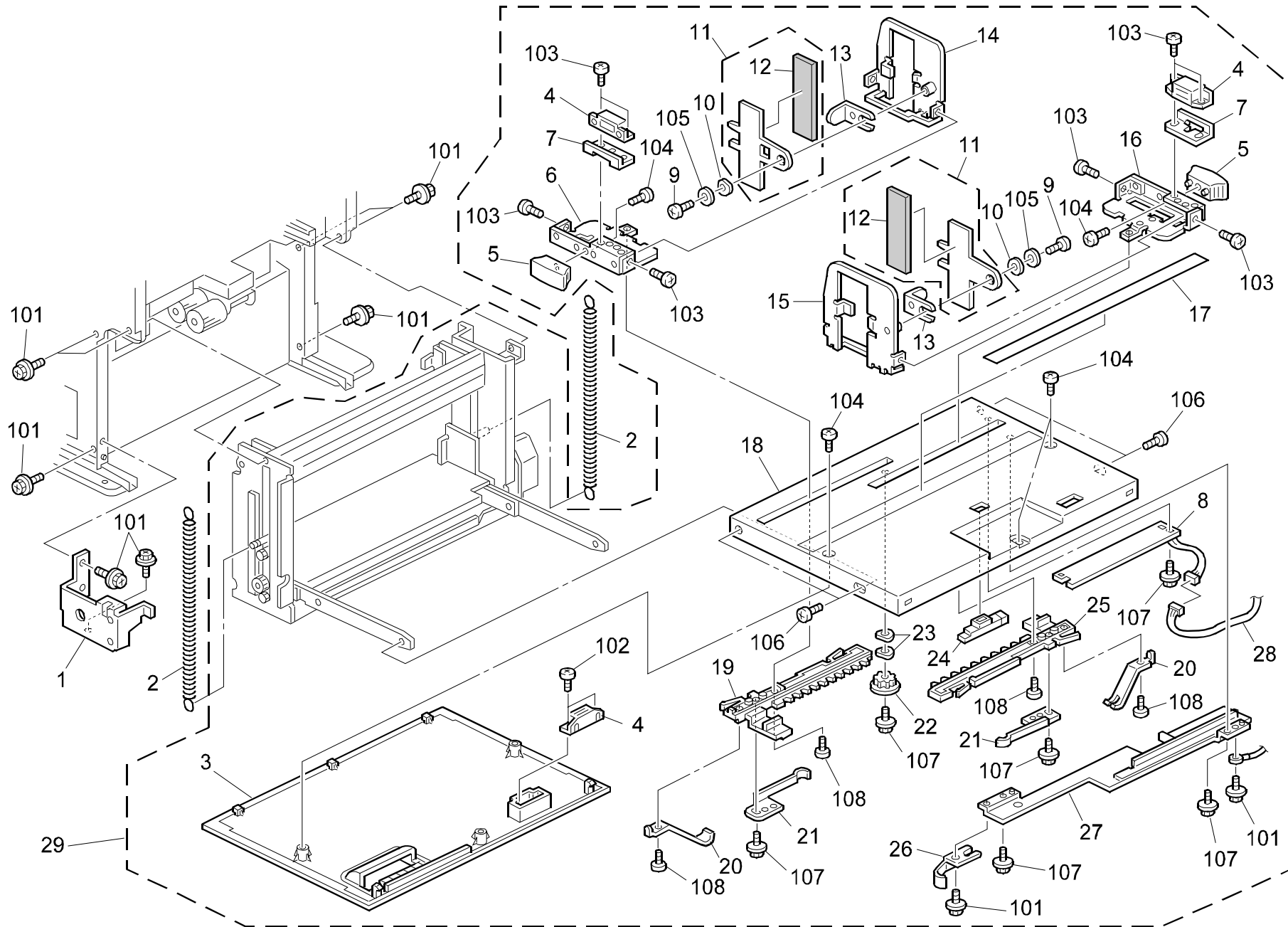
9.DRIVE SECTION 3 (C229)



Index No.	Part No.	Description	Q'ty Per Assembly
1	C229 4001	Eject Clamper Open Arm	1
2	C229 4050	Sector Guide Ass'y	1
3	C229 4051	Joint Link	1
4	C229 4053	Guide Pin	1
5	C229 3522	Stepped Screw	1
6	C229 4052	Sector Gear	1
7	5447 2681	Snap Ring	1
8	C229 4054	Sector Arm	1
9	AW02 0075	Photointerrupter	2
10	C229 4056	Worm Gear	1
11	C229 4057	Clamper Motor Bracket	1
12	C229 5803	DC Motor - 50W	1
13	C229 2931	Pulley Cover	1
14	C229 2930	Guide Plate	1
15	C229 2927	Pressuer Release Gear	1
16	C229 2929	Pressuer Release Cam	1
17	C229 5801	Stepper Motor	1
18	C229 2946	Motor Pulley	2
19	C403 1899	Rubber Bushing - M4	8
20	C229 5731	Paper Feed Motor Bracket	2
21	C229 2948	Timing Belt - 80-XL-050	2
22	C229 5828	Stepper Motor	1

Index No.	Part No.	Description	Q'ty Per Assembly
101	0720 0060E	Retaining Ring - M6	
102	0451 3006B	Tapping Screw - M3x6	
103	1105 0199	Clamp	
104	0353 0040B	Screw - M3x4	
105	0451 4006B	Tapping Screw - 4x6	
106	1105 0291	Harness Clamp - LWS-3S	
107	1105 0413	Harness Clamp	
108	0450 4010B	Tapping Screw - 4x10	
109	0574 0040E	Hexagon Headless Set Screw - M4x4	
110	0354 0140B	Screw - M4x14	

10.PAPER FEED SECTION 1 (C229)

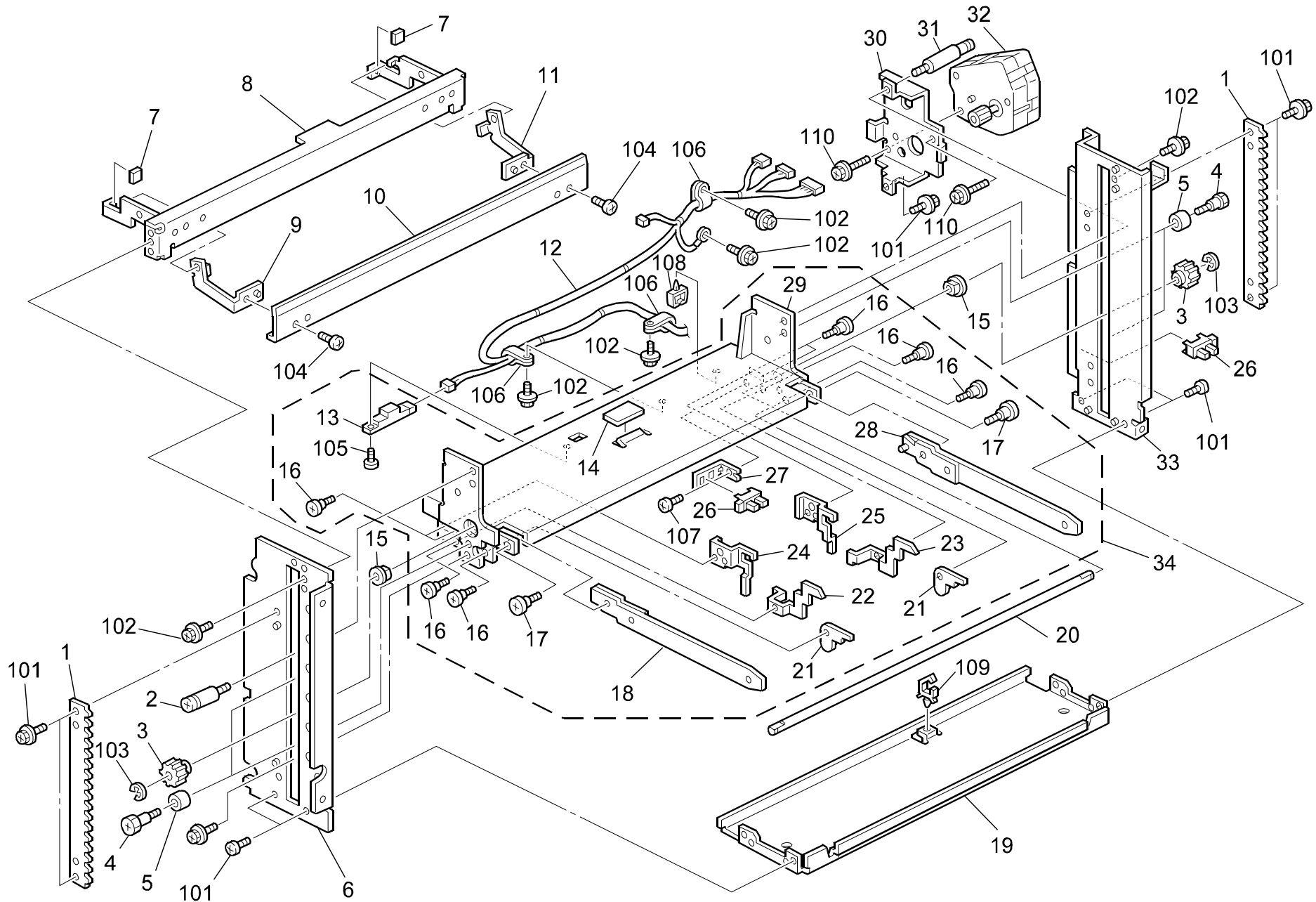


10.PAPER FEED SECTION 1 (C229)

Index No.	Part No.	Description	Q'ty Per Assembly
1	C229 1291	Support Plate - Right Lower	1
2	C229 2828	Lift Up Spring - Paper Tray	2
3	C229 2774	Paper Table Cover	1
4	5054 0536	Magnet Catch Ass'y	3
5	C229 2804	Side Fence Knob	2
6	C229 2796	Left Slider	1
7	C229 2793	Side Fence Stopper	2
8	C229 5155	Paper Size Sensor Board	1
9	5506 1536	Screw - M4x6	2
10	5070 0923	Spring Washer - Rotating Table	2
11	C229 2769	Side Fence Pad Ass'y	2
12	C229 2771	Side Fence Pad	2
13	C209 5092	Rubber Plate Lever	2
14	C229 2802	Left Side Fence	1
15	C229 2791	Right Side Fence	1
16	C229 2786	Right Slider	1
17	C229 2951	Decal - Paper Size	1
18	C229 2773	Paper Table	1
19	C229 2781	Side Fence Rack	1
20	C229 2954	Grounding Plate	2
21	C229 2794	Tension Spring Plate	2
22	G011 3305	Gear - 16T	1
23	5443 2713	Wave Washer	2
24	C229 5807	Photosensor - Gp2a25	1
25	C229 2780	Side Fence Rack - right	1
26	C229 2952	Spring Plate - Paper Tray	1
27	C229 2955	Ground Plate	1
28	C229 5236	Harness - Original Size Sensor	1
29	C229 2744	Paper Table Ass'y	1

Index No.	Part No.	Description	Q'ty Per Assembly
101	0451 4006B	Tapping Screw - 4x6	
102	0452 3006B	Tapping Screw - M3x6	
103	0453 3006Z	Tapping Screw - M3x6	
104	0452 4008Z	Binding Self-Tapping Scrw - M4x8	
105	0701 0080Z	Flat Washer - M8	
106	0453 4008Z	Tapping Bind Scrw - M4x8	
107	0450 3006B	Tapping Screw - M3x6	
108	0353 0060B	Philips Pan Head Screw - M3x6	

11.PAPER FEED SECTION 2 (C229)

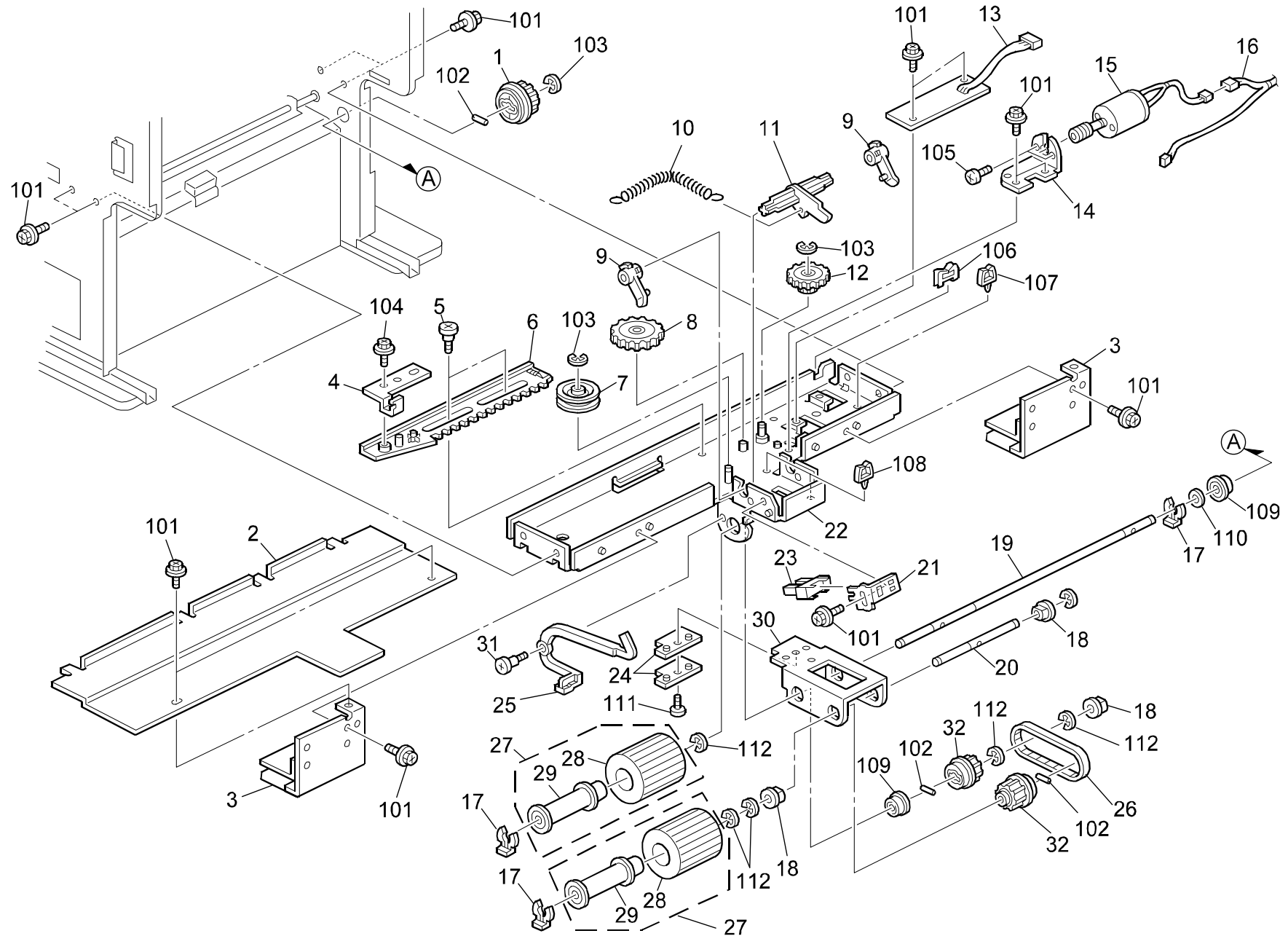


11.PAPER FEED SECTION 2 (C229)

Index No.	Part No.	Description	Q'ty Per Assembly
1	C229 2755	Lift Up Rack - Paper Table	2
2	C229 2827	Spring Anchor - Left	1
3	C229 2824	Gear - 20Z	2
4	C229 2829	Lift Up Shaft	4
5	5606 2310	Roller	4
6	C229 2754	Left Side Plate	1
7	C229 2761	Cusion	2
8	C229 2756	Upper Stay	1
9	C229 2868	Left Arm	1
10	C229 2825	Paper Feed Roller Cover	1
11	C229 2867	Right Arm	1
12	C229 5236	Harness - Original Size Sensor	1
13	C229 5807	Photosensor - GP2A25	1
14	C229 2840	Pad	1
15	5053 0223	Bushing - 8mm	2
16	5151 1009	Shoulder Screw - M4	8
17	5607 3927	Stepped Screw - M3x8	2
18	C229 2776	Left Stay - Paper Table	1
19	C229 2757	Paper Table Lower Stay	1
20	C229 2823	Table Lift Shaft	1
21	C229 2820	Pressuer Release Plate	2
22	C229 2817	Pressuer Release Arm - Left	1
23	C229 2816	Pressuer Release Arm - Right	1
24	C229 2815	Left Adjusting Plate	1
25	C229 2814	Right Adjusting Plate	1
26	AW02 0075	Photointerrupter	2
27	C229 2810	Paper Set Sensor Bracket	1
28	C229 2775	Right Stay - Paper Table	1
29	C229 2807	Paper Table - Fix	1
30	C229 5730	Paper Table Motor Bracket	1
31	C229 2826	Spring Anchor - Right	1
32	C229 5814	DC Motor - 24V	1
33	C229 2751	Right Side Plate	1
34	C229 2805	Paper Table Ass'y	1

Index No.	Part No.	Description	Q'ty Per Assembly
101	0354 0050B	Bind Screw - M4x5	
102	0451 4006B	Tapping Screw - 4x6	
103	0720 0050Z	Retaining Ring - M5	
104	0453 4006Z	Binding Self Tapping Screw - 4x6	
105	0451 3006B	Tapping Screw - M3x6	
106	1105 0005	Nylon Clamp - 3n	
107	0353 0040B	Screw - M3x4	
108	1105 0229	Clamp	
109	1105 0310	Harness Clamp - LWS-1S	
110	0450 4025B	Tapping Screw With Washer - M4x25	

12.PAPER FEED SECTION 3 (C229)

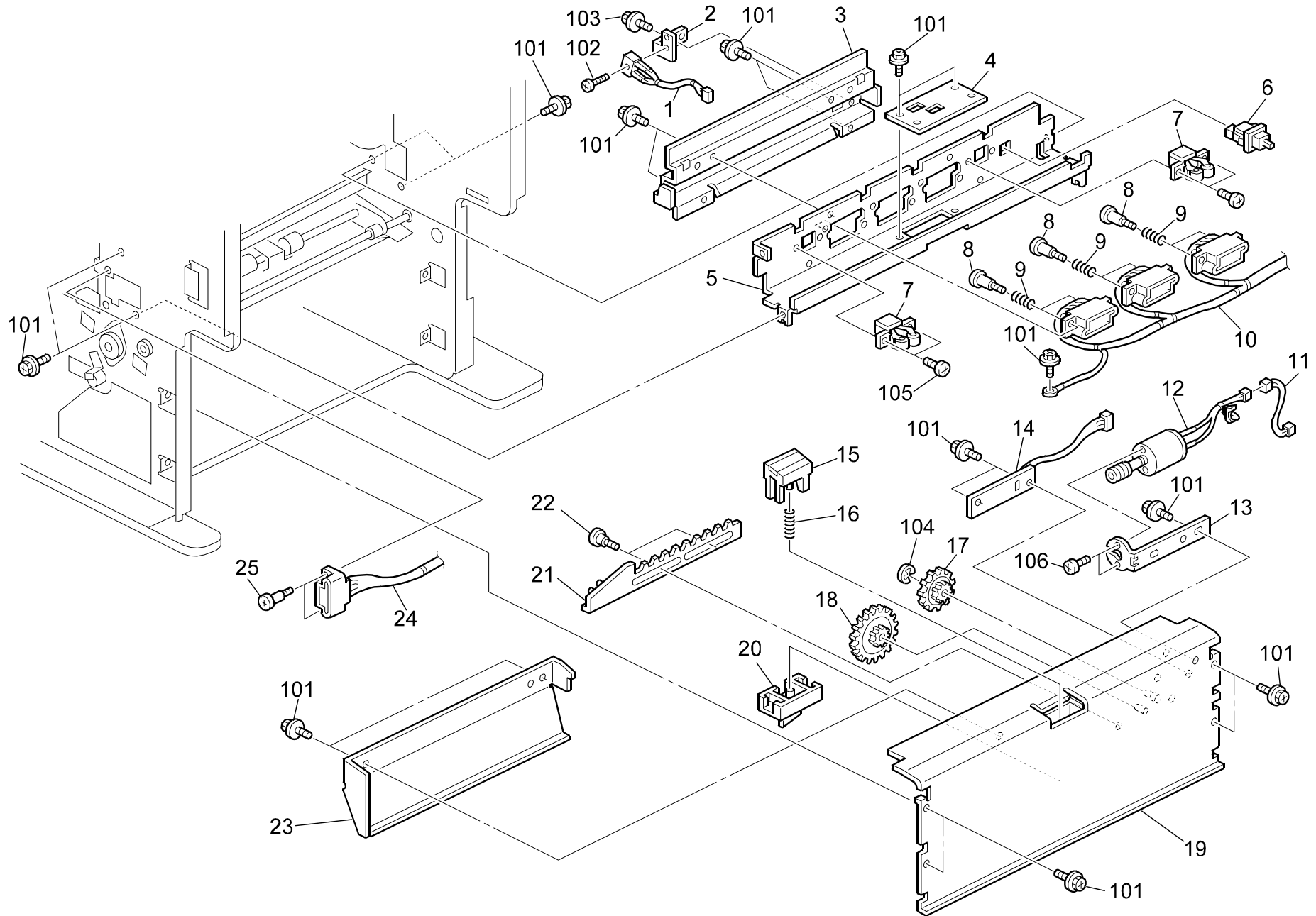


12.PAPER FEED SECTION 3 (C229)

Index No.	Part No.	Description	Q'ty Per Assembly
1	C229 2947	Drive Pulley - Paper Separation	1
2	C229 5733	Harness Cover - Paper Feed	1
3	C229 2845	Paper Feed Guide Plate	2
4	C229 2860	Spring Bracket	1
5	5419 5714	Stepped Screw - M4	2
6	C229 2858	Paper Feed Rack	1
7	C200 3712	Pulley	1
8	C229 2857	Gear - 14Z/42Z	1
9	C229 2863	Bushing	2
10	C229 2861	Paper Pressuer Spring	1
11	C229 2862	Paper Pressuer Lever	1
12	C229 2856	Worm Wheel Gear - 14Z/40Z	1
13	C229 5157	Paper Pressure Board	1
14	C229 5732	Feed Pressuer Morot Bracket	1
15	C217 8447	DC Motor - 24C/7.2W	1
16	C229 5206	Paper Pressure Harness	1
17	C209 3133	Retaining Ring - M6	3
18	5053 0223	Bushing - 8mm	2
19	C229 2839	Paper Feed Roller Shaft	1
20	C229 2838	Pick-up Roller Shaft	1
21	C229 2866	Height Sensor Bracket	1
22	C229 2850	Paper Feed Stay	1
23	AW02 0075	Photointerrupter	1
24	C229 2834	Balancer Arm	2
25	C229 2864	Paper Sensor Feller	1
26	C229 2949	Timing Belt - 75-MXL-64	1
27	C229 2835	Paper Feed Roller Ass'y	2
28	C229 2836	Paper Feed Roller	2
29	C229 2837	Paper Feed Roller - Center	2
30	C229 2833	Paper Feed Arm	1
31	5219 1957	Stepped Screw - M4	1
32	C229 2950	Feed Rooler Drive Pulley	2

Index No.	Part No.	Description	Q'ty Per Assembly
101	0451 4006B	Tapping Screw - 4x6	
102	0633 0140G	Parallel Pin - 3x14	
103	0720 0060E	Retaining Ring - M6	
104	0450 4006B	Tapping Screw - 4X6	
105	0353 0040B	Screw - M3x4	
106	1105 0329	Clamp - ES-0510	
107	1105 0230	Clamp	
108	1105 0199	Clamp	
109	0805 3368	Ball Bearing - 8x16x5mm	
110	0807 5037	Washer - 8.1mm	
111	0354 0080B	Screw - M4X8	
112	0720 0050Z	Retaining Ring - M5	

13.PAPER FEED SECTION 4 (C229)

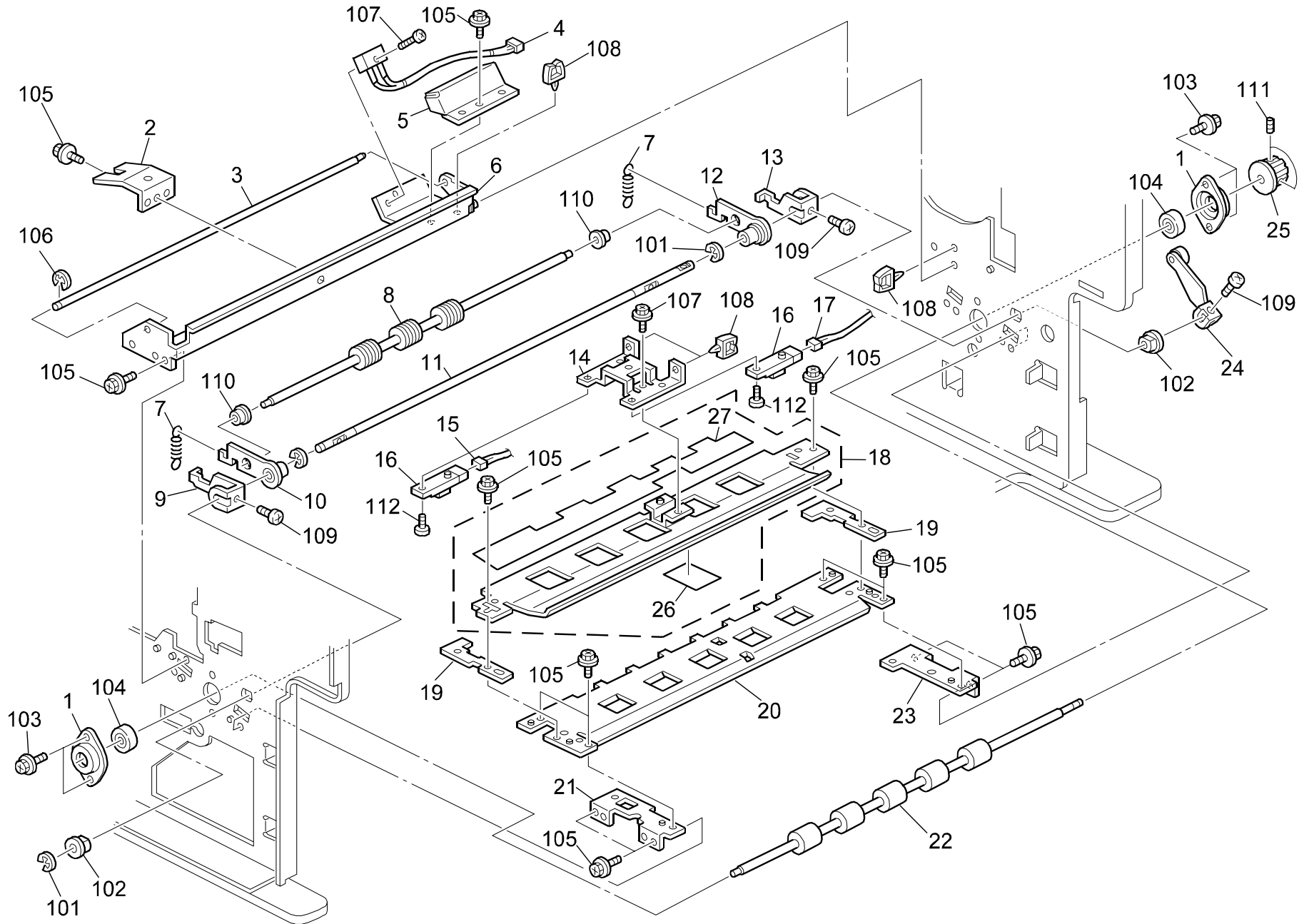


13.PAPER FEED SECTION 4 (C229)

Index No.	Part No.	Description	Q'ty Per Assembly
1	C229 5825	Master Sensor	1
2	C229 2263	Master Sensor Bracket	1
3	C229 2262	Plotter Connector Bracket Cover	1
4	C229 2261	Connector Plate	1
5	C229 2260	Plotter Connector Bracket	1
6	AW50 0012	Push Switch	1
7	C229 2267	Lock Holder	2
8	AA14 3120	Stepped Screw - M3x3	6
9	AA06 3163	Connector Spring	6
10	C229 5210	Relay Harness - Plotter	1
11	C229 5238	Separation Pressure Motor Harness	1
12	C217 8447	DC Motor - 24V/7.2W	1
13	C229 2884	Separation Pressure Motor Bracket	1
14	C229 5157	Paper Pressure Board	1
15	C229 2885	Separation Pad Ass'y	1
16	C229 2878	Pressuer Spring	1
17	C229 2856	Worm Wheel Gear - 14Z/40Z	1
18	C229 2857	Gear - 14Z/42Z	1
19	C229 2871	Paper Guide Plate	1
20	C229 2877	Paper Pressuer Lever	1
21	C229 2858	Separation Control Rack	1
22	5419 5714	Stepped Screw - M4	2
23	C229 2879	Paper Separation Cover	1
24	C229 5208	Relay Harness - Ink Sensor	1
25	C229 2633	Stepped Screw	2

Index No.	Part No.	Description	Q'ty Per Assembly
101	0451 4006B	Tapping Screw - 4x6	
102	0352 0080B	Screw M2.5x8	
103	0451 3006B	Tapping Screw - M3x6	
104	0720 0060E	Retaining Ring - M6	
105	0313 0060B	Philips Pan Head Screw - M3x6	
106	0353 0040B	Screw - M3x4	

14.PAPER FEED SECTION 5 (C229)

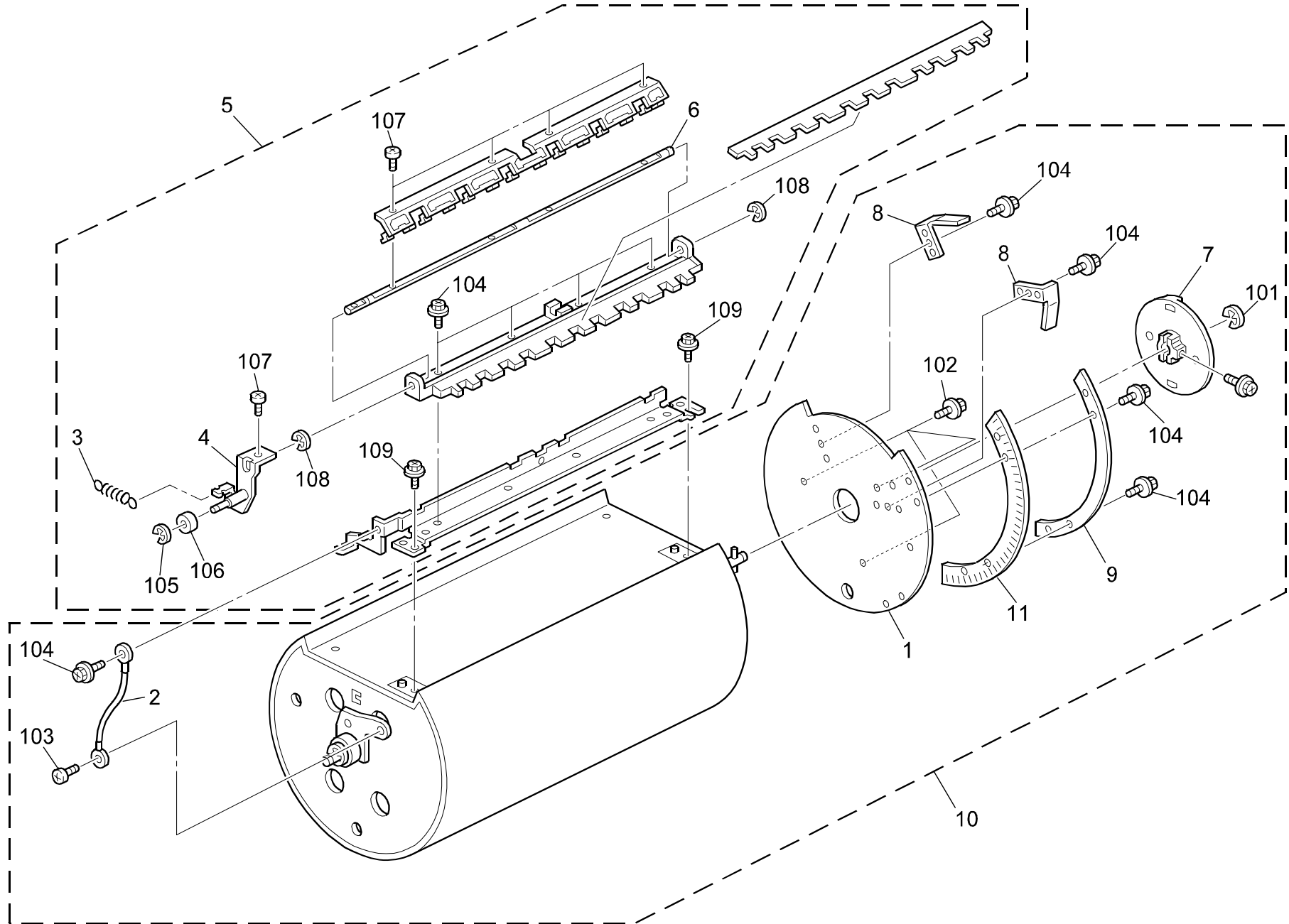


14.PAPER FEED SECTION 5 (C229)

Index No.	Part No.	Description	Q'ty Per Assembly
1	C200 2266	Bearing Holder	2
2	C229 2940	Paper Guide Plate	1
3	C229 2939	Master Sensor Shaft	1
4	C229 5825	Master Sensor	1
5	C229 5738	Master Sensor Cover	1
6	C229 2936	Master Sensor Bracket	1
7	C229 2901	Pressuer Roller Spring	2
8	C229 2904	Feed Roller - Upper	1
9	C229 2899	Pressure Release Lock Arm - Left	1
10	C229 2894	Left Pressuer Arm	1
11	C229 2900	Pressure Release Shaft	1
12	C229 2893	Right Pressuer Arm	1
13	C229 2898	Pressure Release Lock Arm - Right	1
14	C229 2921	Registration Sensor Bracket	1
15	C229 5240	Paper Feed Harness	1
16	C229 5807	Photosensor - GP2A25	2
17	C229 5232	Encoder Harness	1
18	C229 2910	Upper Feed Guide Plate	1
19	C229 2919	Guide Plate Spacer	2
20	C229 2918	Lower Feed Guide Plate	1
21	C229 2923	Left Bracket - Guide Plate	1
22	C229 2906	Lower Registration Roller	1
23	C229 2922	Right Bracket - Guide Plate	1
24	C217 5126	Cam Follower Plate	1
25	C229 2907	Registration Roller Pulley - 14Z	1
26	C229 2915	Upper Entrance Seal	1
27	C229 2914	Guide Plate Sheet	1

Index No.	Part No.	Description	Q'ty Per Assembly
101	0720 0060E	Retaining Ring - M6	
102	0805 3386	Bushing - 8mm	
103	0451 3006B	Tapping Screw - M3x6	
104	0740 3008	Busiong - 8x22x7mm	
105	0451 4006B	Tapping Screw - 4x6	
106	0720 0040E	Retaining Ring - M4	
107	0352 0080B	Screw M2.5x8	
108	1105 0199	Clamp	
109	0354 0060B	Screw - M4x6	
110	0741 3706	Ball Bearing - 6x10x3	
111	0574 0040E	Hexagon Headless Set Screw - M4x4	
112	0313 0060Z	Philips Pan Head Screw - M3x6	

15.PRESSUER CYLINDER 1 (C229)



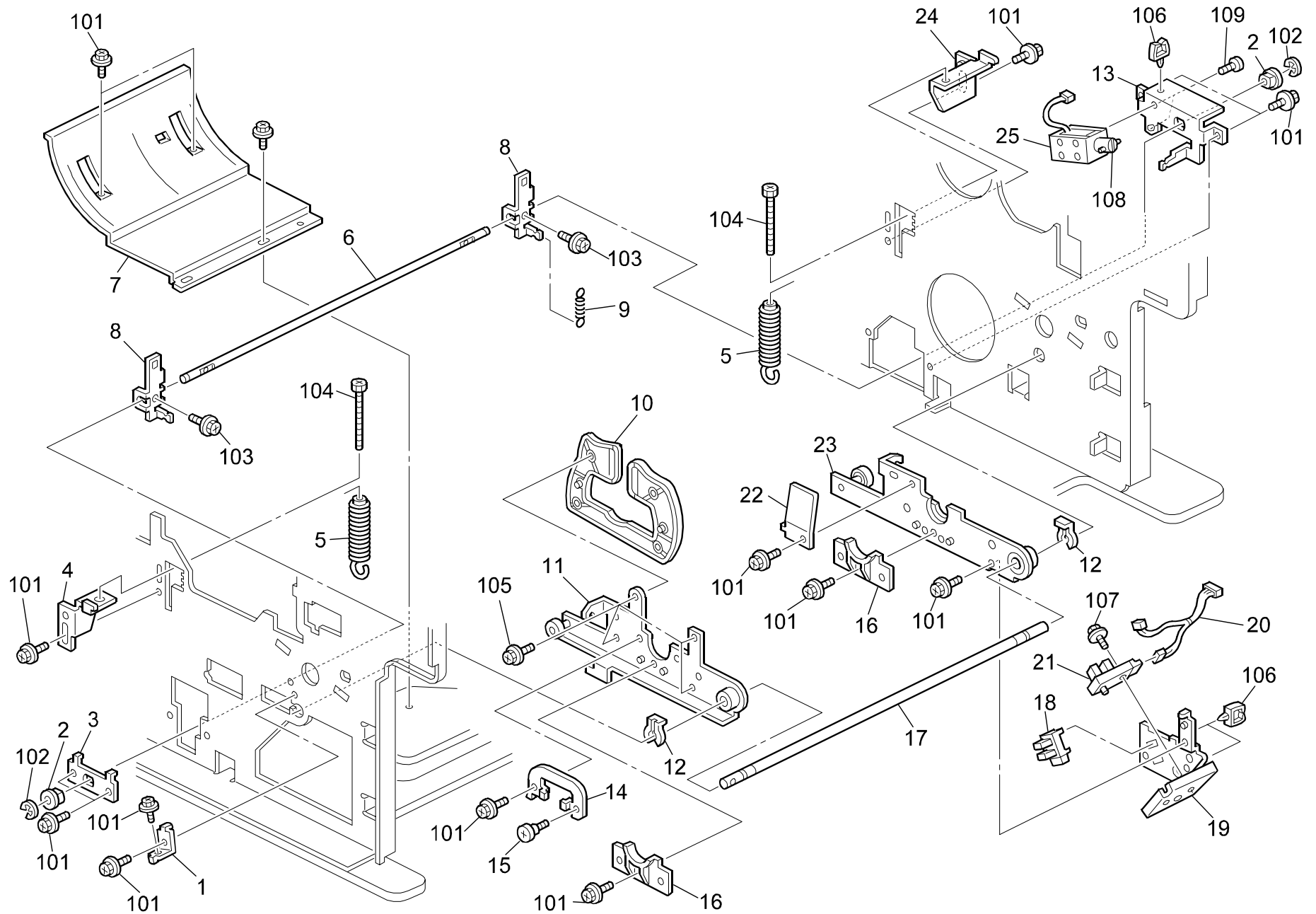
15.PRESSUER CYLINDER 1 (C229)



Index No.	Part No.	Description	Q'ty Per Assembly
1	C229 3092	Front Encoder Flange	1
2	C229 5260	Grounding Wire	1
3	C217 5530	Pressure Release Spring	1
4	C229 3110	Arm Clamper Ass'y	1
5	C229 3002	Pressure Drum Clamper Ass'y	1
6	C229 3106	Clamp Shaft	1
7	C229 3196	Pressure Cylinder Joint	1
8	C229 3096	Paper Feed Acuator	2
9	C229 3094	Encoder Holder	1
10	C229 3001	Pressure Unit	1
11	C229 3093	Encoder	1

Index No.	Part No.	Description	Q'ty Per Assembly
101	0720 0080E	Retaining Ring - M8	
102	0450 4008B	Tapping Screw - 4x8	
103	0453 3006B	Tapping Screw - M3x6	
104	0451 3006B	Tapping Screw - M3x6	
105	0720 0020E	Retaining Ring - M2	
106	0740 3203	Busing - 3x10x4mm	
107	0312 5050Z	Philips Pan Head Screw - M2.5x5	
108	0720 0040E	Retaining Ring - M4	
109	0451 4010B	Tapping Screw - 4x10	

16.PRESSUER CYLINDER 2 (C229)

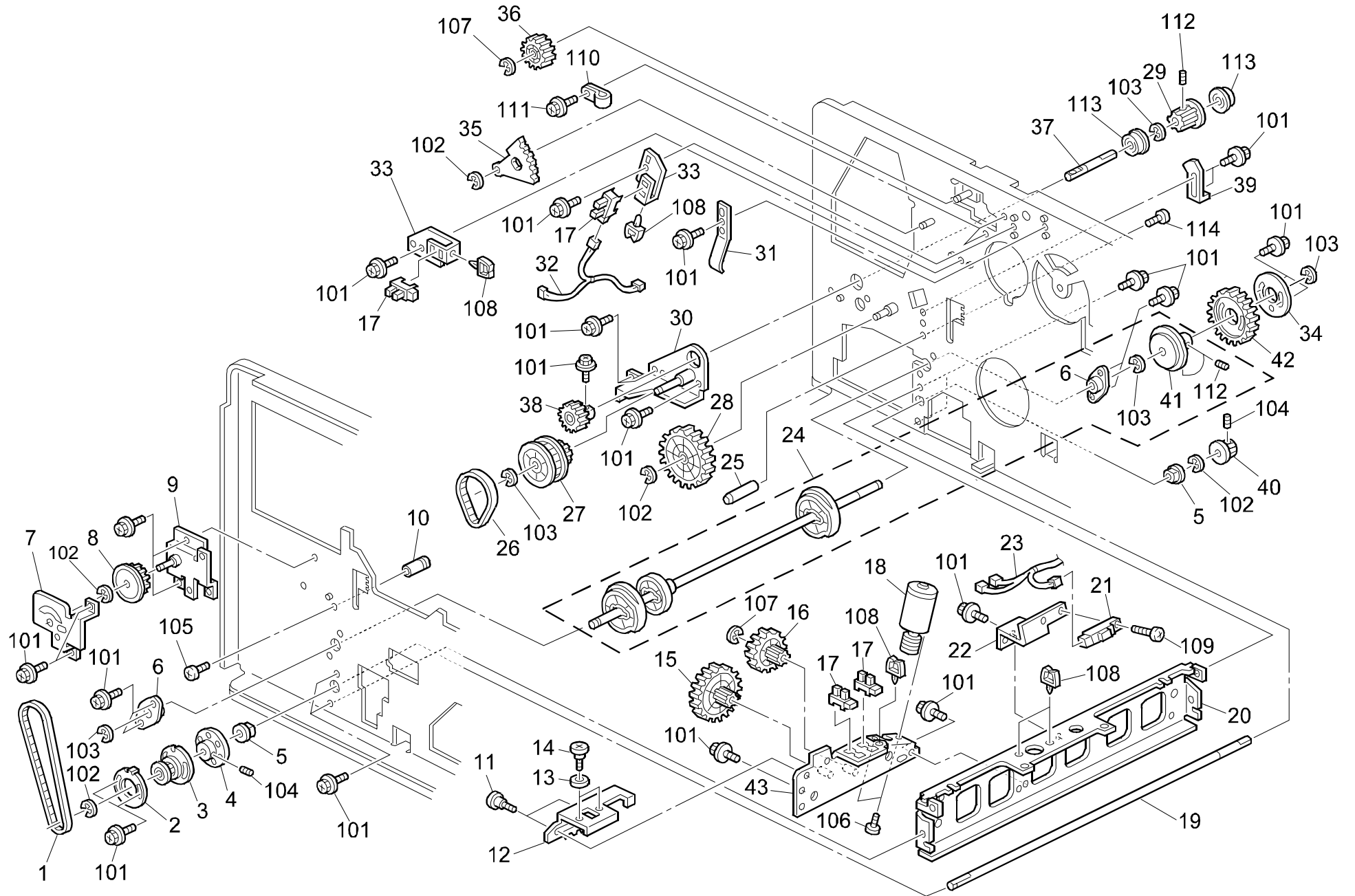


16.PRESSUER CYLINDER 2 (C229)

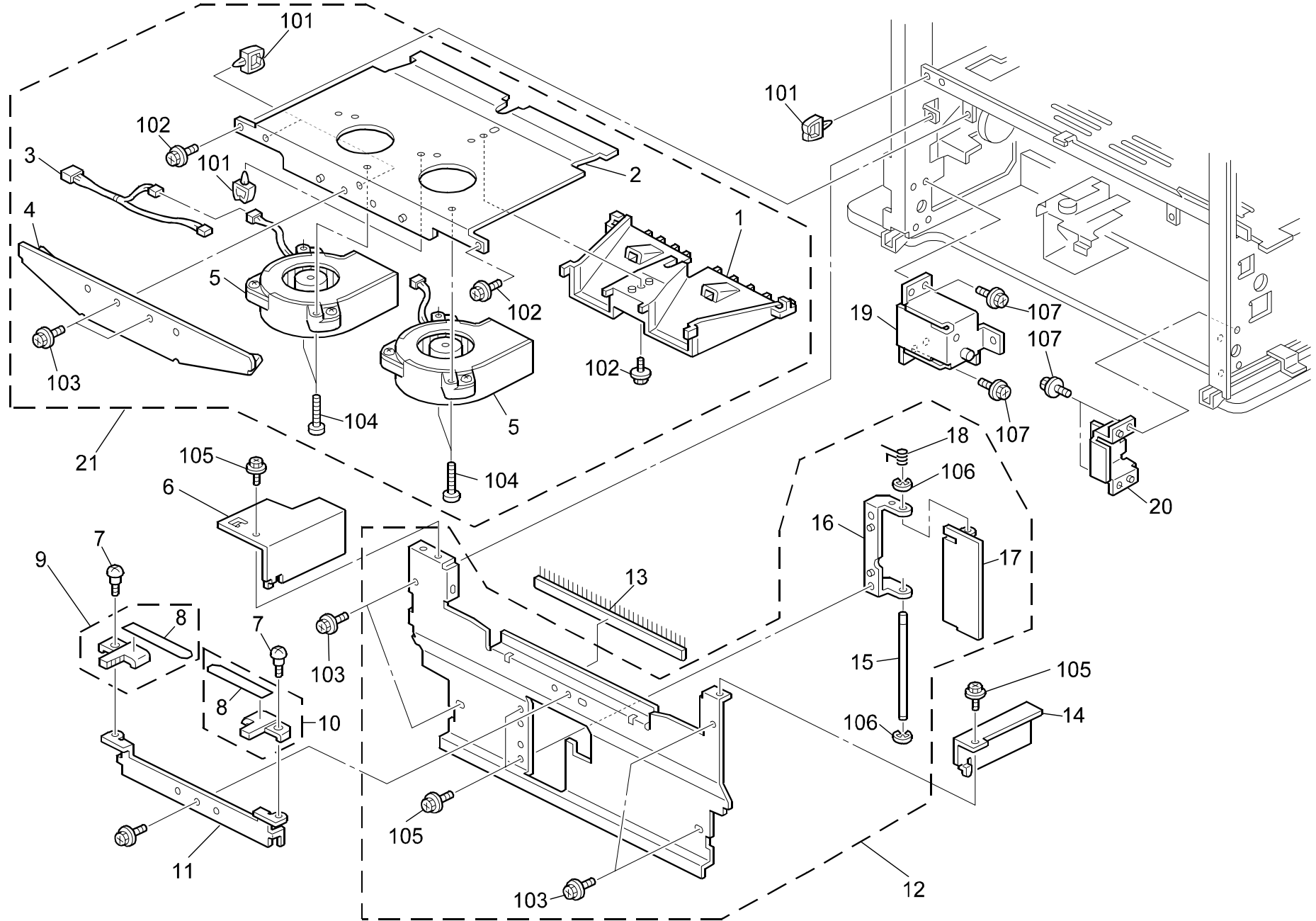
Index No.	Part No.	Description	Q'ty Per Assembly
1	C229 3206	Shaft Stopper	1
2	5053 0447	Bushing - 6mm	2
3	C229 3161	Pressuer Shaft Bracket - Front	1
4	C229 3270	Front Spring Bracket	1
5	C229 3272	Pressuer Spring	2
6	C229 3165	Pressuer Release Shaft	1
7	C229 3950	Paper Exit Guide Plate	1
8	C229 3164	Release Shaft Arm	2
9	C229 3166	Release Spring	1
10	C229 3107	Clamper Cam	1
11	C229 3220	Front Arm	1
12	C229 3207	Ring - M14	2
13	C229 3163	Solenoid Bracket	1
14	C229 3226	Pressuer Cylinder Shaft Holder	1
15	AA14 3062	Shoulder Screw - M4	1
16	C229 3227	Pressuer Cylinder Shaft Guide	2
17	C229 3205	Position Shaft	1
18	AW02 0075	Photointerrupter	1
19	C229 3090	Feed Encoder Bracket	1
20	C229 5226	Encoder Harness - Feed	1
21	5205 5250	LED Sensor Type S	1
22	C229 3234	Encoder Guide	1
23	C229 3230	Rear Arm	1
24	C229 3271	Rear Spring Bracket	1
25	C229 5830	Release Solenoid	1

Index No.	Part No.	Description	Q'ty Per Assembly
101	0451 4006B	Tapping Screw - 4x6	
102	0720 0040E	Retaining Ring - M4	
103	0451 3006B	Tapping Screw - M3x6	
104	0586 0451Z	Hexagon Bolt - M6x45	
105	0450 4008B	Tapping Screw - 4x8	
106	1105 0199	Clamp	
107	0451 4010B	Tapping Screw - 4x10	
108	0623 0140E	Spring Pin - 3x14	
109	0313 0040B	Philips Pan Head Screw - M3x4	

17.PRESSUER CYLINDER 3 (C229)



18.PAPER EXIT SECTION 1 (C229)

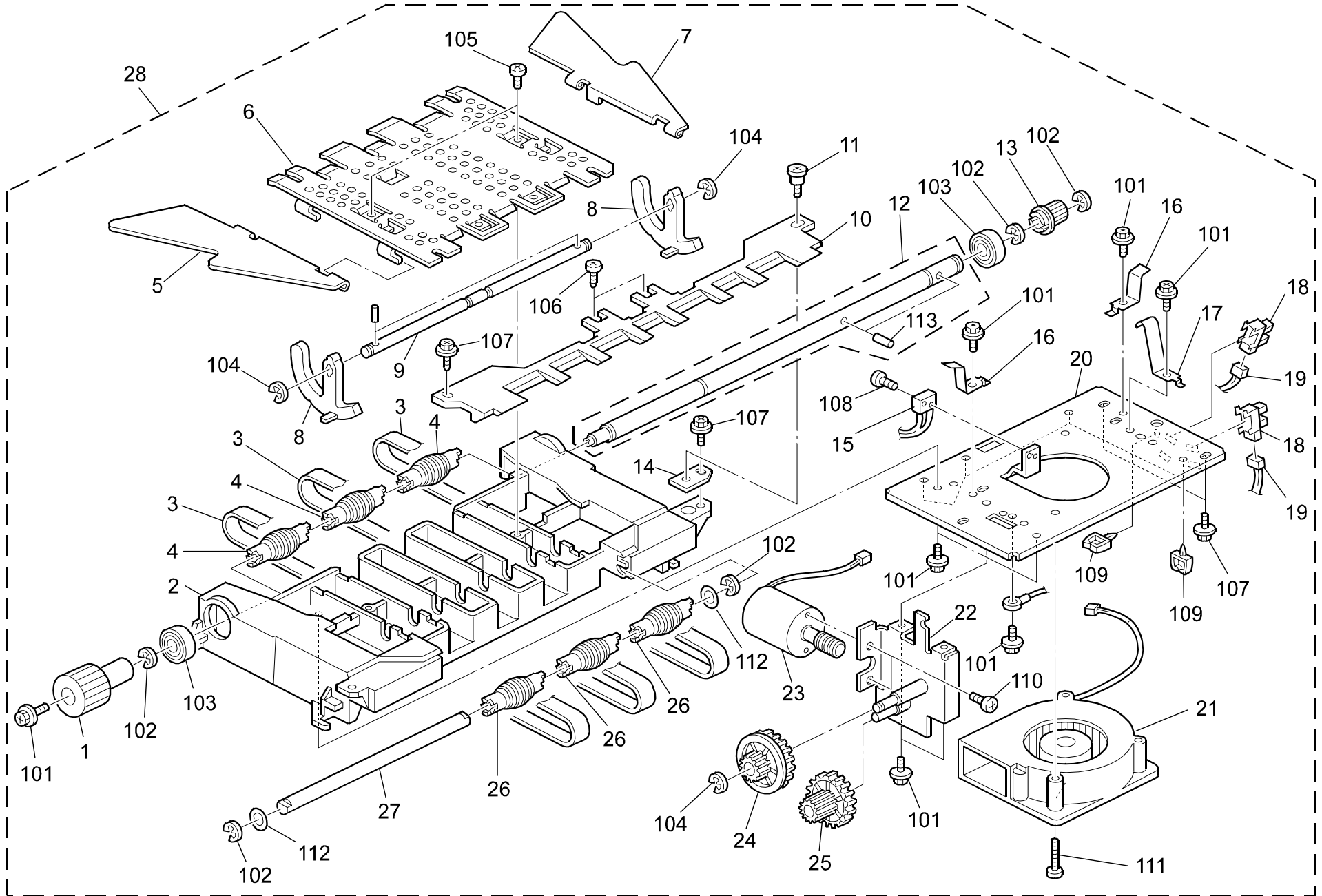


18.PAPER EXIT SECTION 1 (C229)

Index No.	Part No.	Description	Q'ty Per Assembly
1	C229 3302	Air Knife Duct	1
2	C229 3301	Air Knife Base	1
3	C229 5234	Air Knife Harness	1
4	C229 3303	Paper Exit Cover	1
5	C229 5824	Fam Motor - DC24V 0.6A	2
6	C229 3857	Left Support Plate	1
7	C218 2525	Stepped Screw - M4	2
8	C229 4495	Paper Guide	2
9	C229 4496	Rear Guide	1
10	C229 4492	Front Guide	1
11	C229 4491	Support Bracket	1
12	C229 1292	Exit Guide Plate Ass'y	1
13	C229 3856	Antistatic Brush	1
14	C229 3858	Right Support Plate	1
15	C229 4675	Separator Cover Shaft	1
16	C229 4674	Separator Cover Hinge	1
17	C229 4673	Separator Cover	1
18	C229 4676	Separator Cover Spring	1
19	C229 4485	Rear Bracket - Paper Delivery Table	1
20	C229 4480	Front Bracket - Paper Delivery Table	1
21	C229 3008	Air Knife Ass'y	1

Index No.	Part No.	Description	Q'ty Per Assembly
101	1105 0199	Clamp	
102	0451 4006B	Tapping Screw - 4x6	
103	0451 4006Z	Tapping Screw 4x6	
104	0314 0160B	Philips Pan Head Screw - M4x16	
105	0451 3006Z	Tapping Screw - M3x6	
106	0720 0020E	Retaining Ring - M2	
107	0451 4008Z	Tapping Screw 4x8	

19.PAPER EXIT SECTION 2 (C229)

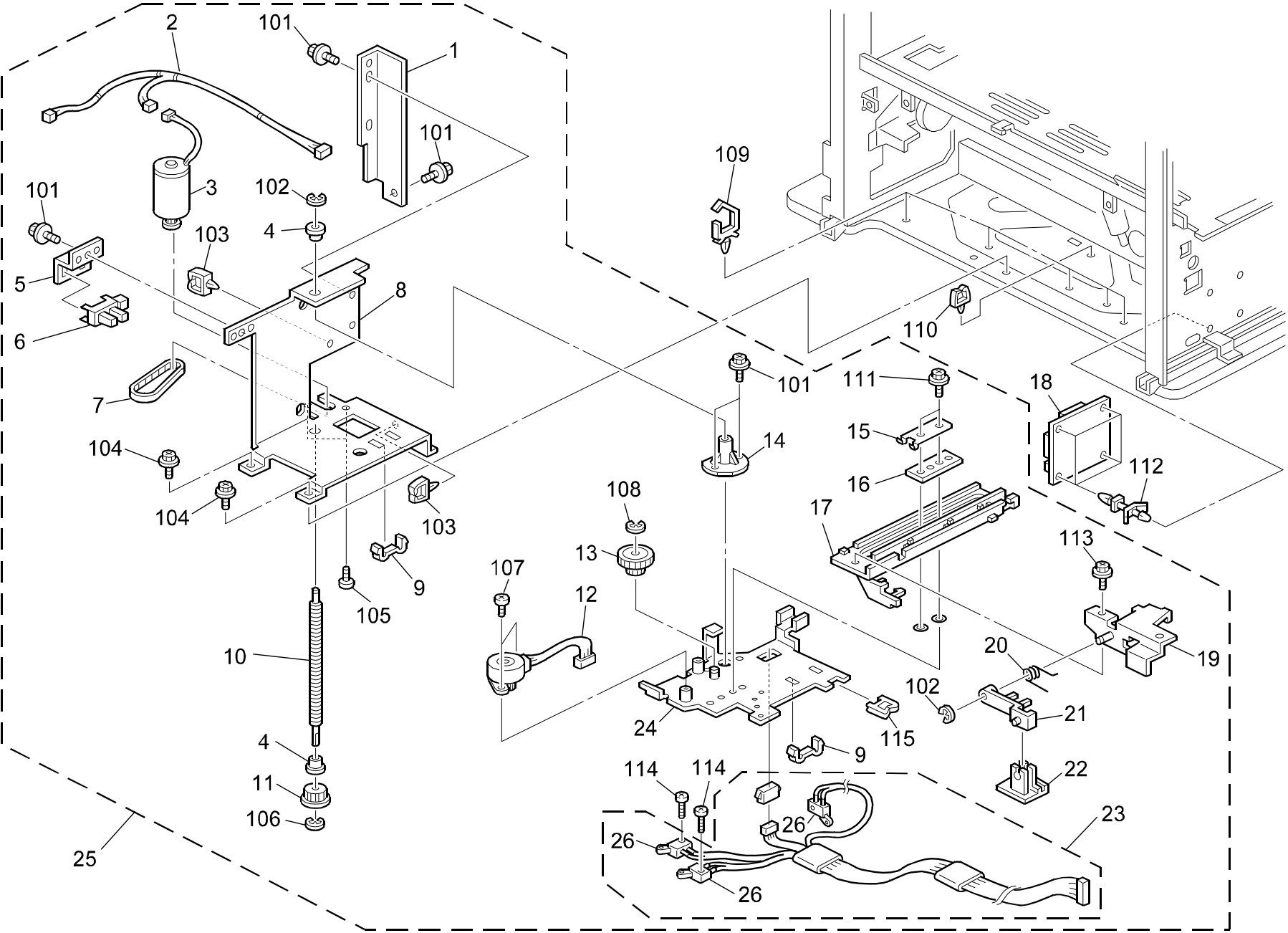


19.PAPER EXIT SECTION 2 (C229)

Index No.	Part No.	Description	Q'ty Per Assembly
1	C229 3878	Knob	1
2	C229 3860	Transport Belt Case	1
3	C229 3874	Transport Belt	3
4	C229 3877	Center Roller - Delivery Table	3
5	C229 3900	Front Vacuum Plate	1
6	C229 3850	Vacuum Plate	1
7	C229 3901	Rear Vacuum Plate	1
8	C229 3912	Vacuum Plate Guide Arm	2
9	C229 3909	Vacuum Plate Guide Shaft	1
10	C229 3942	Separation Pawl	1
11	C229 3944	Stepped Screw	1
12	C229 3875	Transport Belt Drive Shaft	1
13	C229 3872	Timing Pulley	1
14	C229 3943	Pick-off Pawl Adjuster	1
15	C229 5825	Master Sensor	1
16	C229 3893	Grounding Plate	2
17	C229 3891	Grounding Plate	1
18	AW02 0075	Photointerrupter	2
19	C229 5222	Vacuume Fan Harness	1
20	C229 3890	Vacuume Fan Base	1
21	C219 8204	Vacuum Fan Motor - DC24V 0.3A	1
22	C229 3913	Modor Bracket	1
23	C229 5804	DC Motor - 20W	1
24	C229 3911	Gear - 25Z/51Z	1
25	C229 3145	Worm Wheel - 50Z/16Z	1
26	C229 3873	Transport Belt Roller	3
27	C229 3871	Transport Belt Shaft	1
28	C229 3800	Transport Belt Unit	1

Index No.	Part No.	Description	Q'ty Per Assembly
101	0451 4006B	Tapping Screw - 4x6	
102	0720 0080E	Retaining Ring - M8	
103	0740 3010	Bushing - 10x26x8mm	
104	0720 0040E	Retaining Ring - M4	
105	0452 4008B	Tapping Screw - M4x8	
106	0951 3006Z	Philips Screw With Flat Washer - M3	
107	0450 4008B	Tapping Screw - 4x8	
108	0252 0080Z	Philips Pan Head Screw - M2x8	
109	1105 0229	Clamp	
110	0353 0040B	Screw - M3x4	
111	0314 0350Z	Screw - M4x35	
112	0807 7013	Spacer - 10.2x14x0.2 Mm	
113	0623 0140E	Spring Pin - 3X14	

20.PAPER EXIT SECTION 3 (C229)

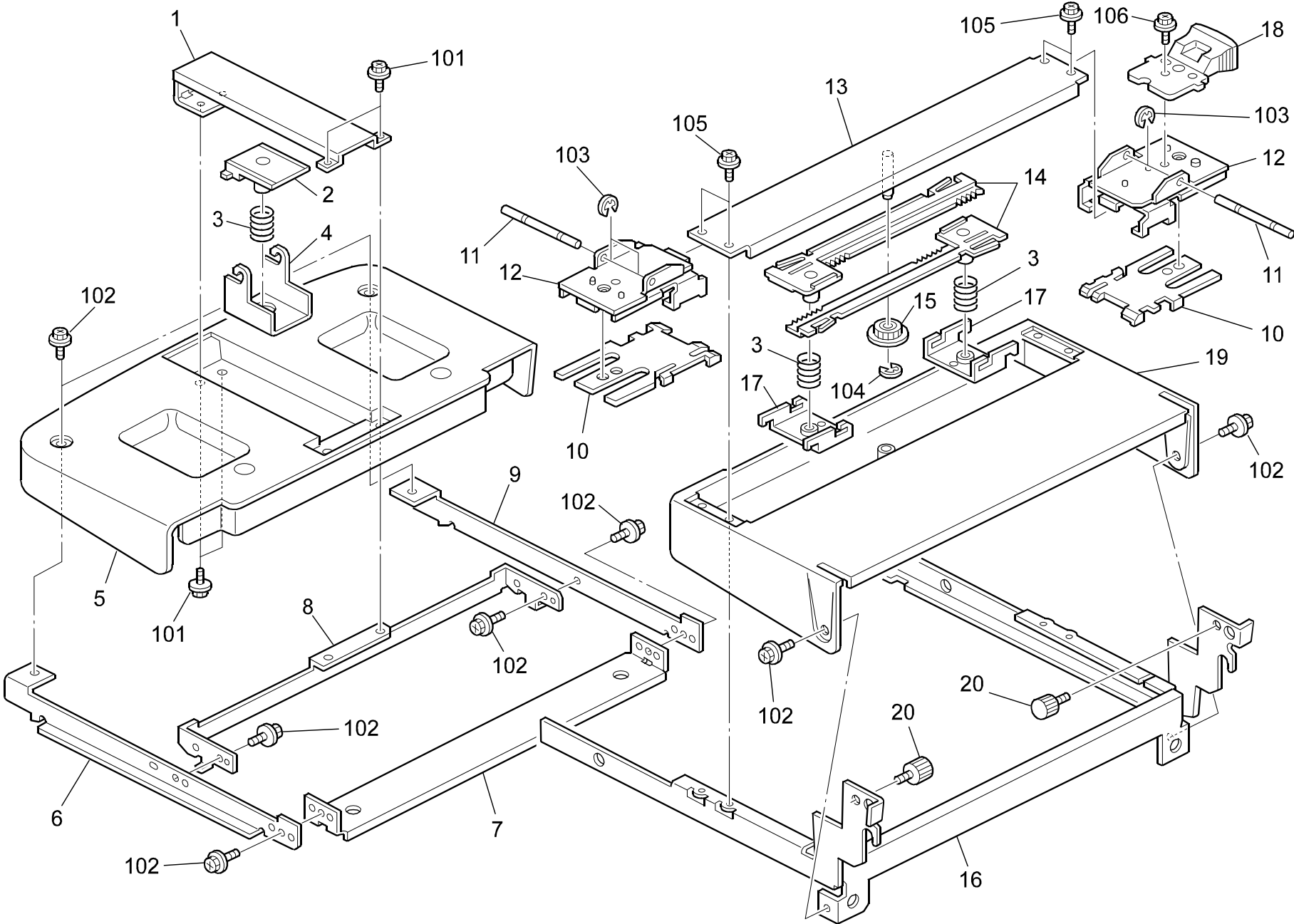


20.PAPER EXIT SECTION 3 (C229)

Index No.	Part No.	Description	Q'ty Per Assembly
1	C229 4702	Lift Morot Gurd Plate	1
2	C229 5269	Job Separator Harness	1
3	C229 5823	DC Motor - 20W	1
4	5324 1658	Bushing- 4x8x4.5mm	2
5	C229 4671	Sensor Bracket	1
6	AW02 0075	Photointerrupter	1
7	C229 4712	Timing Belt	1
8	C229 4701	Lift Motor Bracket	1
9	C229 4724	Harness Clamp	2
10	C229 4708	Screw Shaft	1
11	C229 4711	Timing Pulley	1
12	C229 5805	Stepper Motor - DC24V	1
13	C229 4715	Slide Drive Gear	1
14	C229 4709	Screw Shaft Boss	1
15	C229 4734	Slider Spring Plate	1
16	C229 4718	Slider Holder	1
17	C229 4725	Separator Slider	1
18	C229 5153	Job Separator Board	1
19	C229 4726	Separator Arm Link	1
20	C229 4733	Arm Spring	1
21	C229 4729	Separator Arm	1
22	C229 4730	Separator Arm Holder	1
23	C229 5270	Harness - Job Separator	1
24	C229 4703	Separator Slider Bracket	1
25	C229 4650	Separator Lift Motor Ass'y	1
26	C229 5813	Switch	3

Index No.	Part No.	Description	Q'ty Per Assembly
101	0451 3006B	Tapping Screw - M3x6	
102	0720 0030E	Retaining Ring - M3	
103	1105 0199	Clamp	
104	0451 4006B	Tapping Screw - 4x6	
105	0353 0050B	Philips Truss Head Screw - M3x5	
106	0720 0020E	Retaining Ring - M2	
107	0352 5040B	Bind Screw - M2.5x4	
108	0720 0040E	Retaining Ring - M4	
109	1105 0413	Harness Clamp	
110	1105 0229	Clamp	
111	0451 3008B	Tapping Screw - M3x8	
112	1105 0193	Nylon Stud	
113	0450 3006B	Tapping Screw - M3x6	
114	0241 6060B	Screw - M1.6x6	
115	1105 0328	Harness Clamp - ES-0505	

21.DELEVERY TABLE 1 (C229)

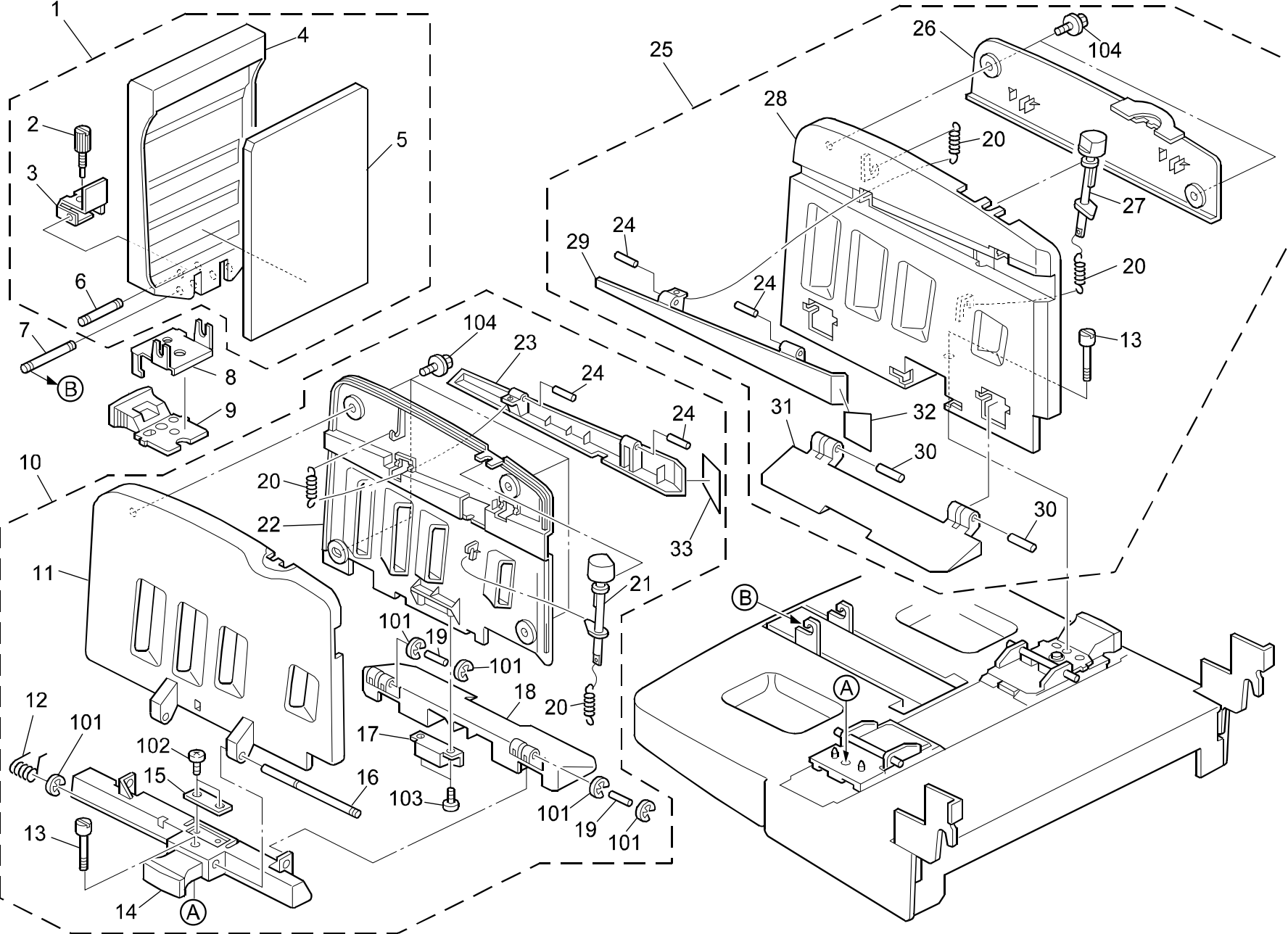


21.DELEVERY TABLE 1 (C229)

Index No.	Part No.	Description	Q'ty Per Assembly
1	C229 4365	End Fence Rail	1
2	C229 4384	Middle End Fence Slider	1
3	C227 6157	Guide Fence Spring	3
4	C229 4382	Lower Slider	1
5	C229 4366	Slide Delivery Table	1
6	C229 4361	Front Guide Stay	1
7	C229 4363	Right Guide Stay	1
8	C229 4364	Left Guide Stay	1
9	C229 4362	Rear Guide Stay	1
10	C229 4393	Middle Slider	2
11	C229 4406	Side Fence Shaft	2
12	C229 4391	Side Fence Holder	2
13	C229 4470	Side Fence Rail	1
14	C229 4394	Side Fence Lack	2
15	C229 4473	Side Fence Gear	1
16	C229 4350	Delivery Table Stay	1
17	C229 4395	Side Fence Lower Slider	2
18	C229 4385	Slide Grip	1
19	C229 4354	Delivery Table	1
20	C229 4487	Knob Screw	2

Index No.	Part No.	Description	Q'ty Per Assembly
101	0354 0060B	Screw - M4X6	
102	0451 4006Z	Tapping Screw 4x6	
103	0720 0030E	Retaining Ring - M3	
104	0720 0040E	Retaining Ring - M4	
105	0451 3008Z	Tapping Screw - M3x8	
106	0451 3008B	Tapping Screw - M3x8	

22.DELEVERY TABLE 2 (C229)

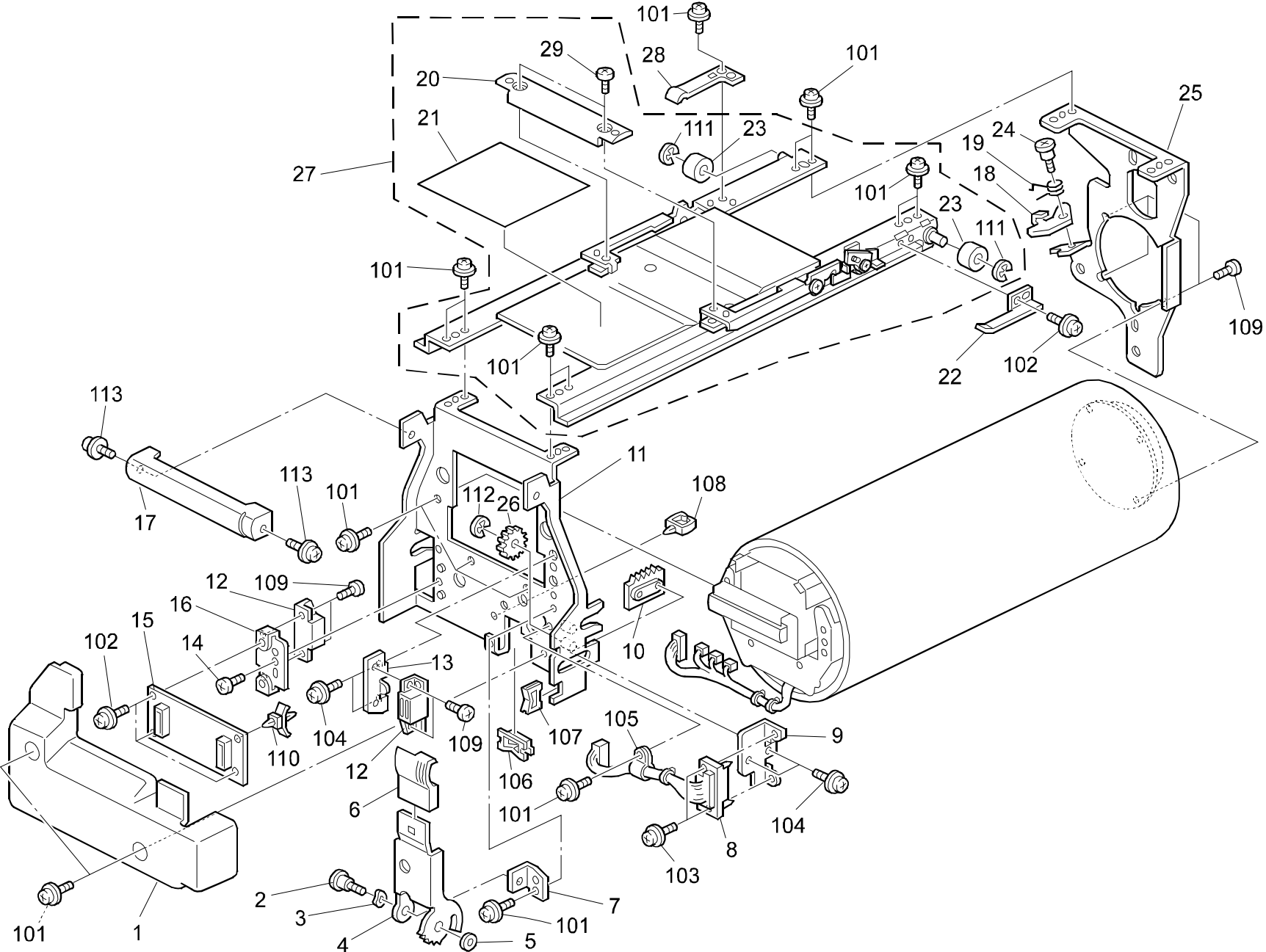


22.DELEVERY TABLE 2 (C229)

Index No.	Part No.	Description	Q'ty Per Assembly
1	C229 4370	End Fence Ass'y	1
2	C207 4150	Fixing Screw	1
3	C229 4372	Fixing Screw Bracket	1
4	C229 4377	End Fence Ass'y	1
5	C229 4376	End Fence Cushion	1
6	C229 4373	Adjust Shaft	1
7	C229 4386	End Fence Shaft	1
8	C229 4381	Upper End Fence Holder	1
9	C229 4385	End Fence Grip	1
10	C229 4430	Front Side Fence Ass'y	1
11	C229 4421	Front Side Fence	1
12	C229 4455	Side Fence Release Spring	1
13	C229 4457	Knob Screw	2
14	C229 4461	Front Holder - Side Fence	1
15	C209 6136	Magnet Plate	1
16	C229 4452	Side Fence Shaft	1
17	5054 0536	Magnet Catch Ass'y	1
18	C229 4458	Front Exit Paper Guide	1
19	C229 4459	Exit Paper Guide Pin	2
20	C223 5031	Lower Spring - Separation	4
21	C229 4424	Front Release Arm	1
22	C229 4422	Front Middle Guide	1
23	C229 4427	Upper Exit Guide - Front	1
24	C227 6156	Upper Guide Shaft	4
25	C229 4400	Rear Side Fence Ass'y	1
26	C229 4401	Rear Side Fence	1
27	C229 4407	Rear Release Arm	1
28	C229 4402	Rear Middle Guide	1
29	C229 4405	Upper Exit Guide - Rear	1
30	C229 4404	Rear Shaft - Exit Paper Guide	2
31	C229 4411	Rear Exit Paper Guide	1
32	C229 4410	Rear Exit Guide Plate	1
33	C229 4428	Front Exit Guide Plate	1

Index No.	Part No.	Description	Q'ty Per Assembly
101	0720 0030E	Retaining Ring - M3	
102	0802 5097	Tapping Screw - M3x10	
103	0452 3008B	Tapping Screw - M3x8	
104	0450 4010Z	Tapping Screw - M4x10	

23.DRUM UNIT 1 (C229)

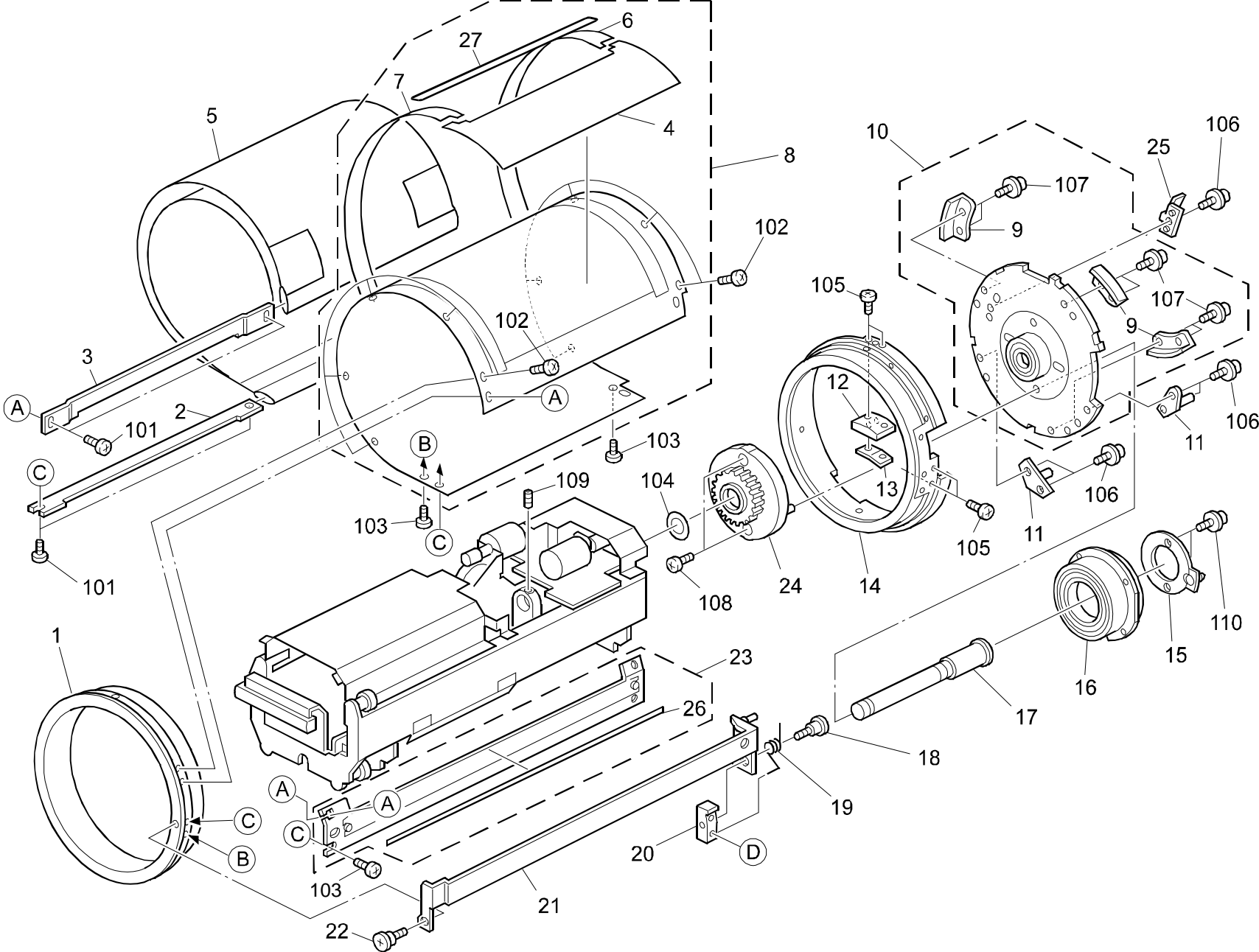


23.DRUM UNIT 1 (C229)

Index No.	Part No.	Description	Q'ty Per Assembly
1	C229 2364	Front Inner Cover	1
2	C219 3950	Stepped Screw	1
3	C217 5102	Spring Washer	1
4	C229 2367	Switch Lever	1
5	AA13 2080	Spacer - Cleaning Brush	1
6	C229 2357	Switch Lever Knob	1
7	C229 2365	Switch Lever bracket	1
8	C229 5212	Ink Sensor Harness	1
9	C229 2360	Connector Bracket	1
10	C229 2359	Connector Slider	1
11	C229 2351	Front Side Plate	1
12	5054 0536	Magnet Catch Ass'y	2
13	C229 2377	Magnet Catch Bracket	1
14	5875 2088	Shoulder Screw - M4	1
15	C229 5140	Ink Detection Board	1
16	C229 2374	Front Magnet Catch	1
17	C229 2362	Drum Release Grip	1
18	C229 2405	Drum Stopper Arm	1
19	C229 2406	Drum Lock Spring	1
20	C229 2385	Grip Rail	1
21	C229 2399	Decal - Drum Operation	1
22	C229 2396	Spring Plate	1
23	C201 4604	Drum Rail Roller	2
24	C229 2413	Stepped Screw - Drum Lock	1
25	C229 2440	Rear Drum Frame	1
26	C229 2608	Drum Release Gear	1
27	C229 2313	Drum Rail Ass'y	1
28	C229 2394	Spring Plate	1
29	C201 5125	Stepped Screw - M6	2

Index No.	Part No.	Description	Q'ty Per Assembly
101	0951 4006Z	Philips Screw With Flat Washer - M4	
102	0951 3006Z	Philips Screw With Flat Washer - M3	
103	0951 3008Z	Philips Screw With Flat Washer - M3	
104	0951 4008Z	Philips Screw With Flat Washer M4x8	
105	1105 0016	Nylon Clamp - 4n	
106	1105 0113	Edge - P108	
107	1105 0329	Clamp - ES-0510	
108	1105 0199	Clamp	
109	0353 0060Z	Screw - M3x6	
110	1105 0193	Nylon Stud	
111	0720 0040E	Retaining Ring - M4	
112	0720 0050Z	Retaining Ring - M5	
113	0801 0103	Screw - M4x8	

24.DRUM UNIT 2 (C229)

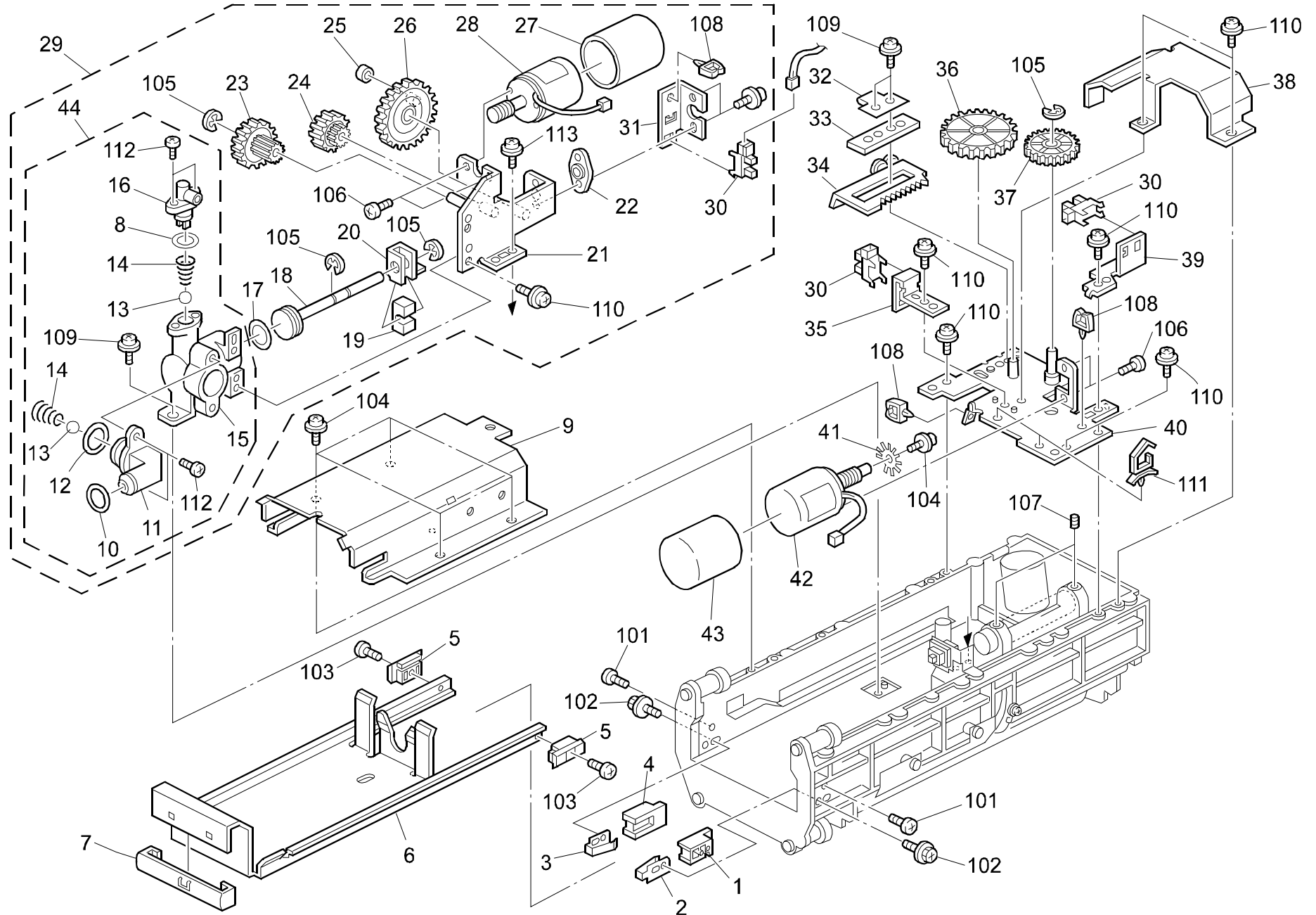


24.DRUM UNIT 2 (C229)

Index No.	Part No.	Description	Q'ty Per Assembly
1	C229 2420	Front Outer Flange	1
2	C229 2594	Rear Screen Clamper	1
3	C229 2596	Front Screen Clamper	1
4	C229 2671	Metal Screen Seal - DLT	1
4	C229 2476	Metal Screen Seal - A3	1
4	C587 2476	Metal Screen Seal - A4	1
5	C229 2316	Tetron Screen	1
6	C229 2547	Rear Shield - Metal Screen - A3/DLT	1
6	C587 2547	Rear Shield - Metal Screen - A4	1
7	C229 2543	Front Shield - Metal Screen - A3/DLT	1
7	C587 2543	Front Shield - Metal Screen - A4	1
8	C229 2449	Metal Screen Ass'y - A3	1
8	C229 2402	Metal Screen Ass'y - DLT	1
8	C587 2449	Metal Screen Ass'y - A4	1
9	C229 2428	Slider	3
10	C229 2419	Rear Drum Disk	1
11	C229 2431	Drum Positioning Pin	2
12	C229 2423	Fixing Plate	1
13	C229 2424	Plate Nut	1
14	C229 2422	Rear Outer Flange	1
15	C229 2379	Drum Guide Disk	1
16	C229 2442	Rear Drum Flange	1
17	C229 2438	Drum Shaft	1
18	5350 1754	Stud - M5x4	1
19	C229 2603	Spring	1
20	C229 2595	Clamper Fixed Plate	1
21	C229 2314	Master Clamper Ass'y	1
22	C229 2601	Front Stepped Screw	1
23	C229 2591	Drum Clamper Base	1
24	C229 2435	Drive Gear - 50Z	1
25	C229 2434	Switch Acuator	1
26	C229 2605	Clamper Seal	1
27	C229 2672	Small Shield - Metal Screen (DLT)	1

Index No.	Part No.	Description	Q'ty Per Assembly
101	0354 0060Z	Philips Truss Head Screw - M4x6	
102	0353 0060Z	Screw - M3x6	
103	0354 0040Z	Screw - M4x4	
104	0807 7114	Washer - 16x24x0.3mm	
105	0353 0100Z	Bind Screw - M3x10	
106	0951 4006Z	Philips Screw With Flat Washer - M4	
107	0951 4008Z	Philips Screw With Flat Washer M4x8	
108	0314 0080Z	Philips Screw - 4x8	
109	0574 0040E	Hexagon Headless Set Screw - M4x4	
110	0594 0100Z	Bolt - M4x10	

25.DRUM UNIT 3 (C229)

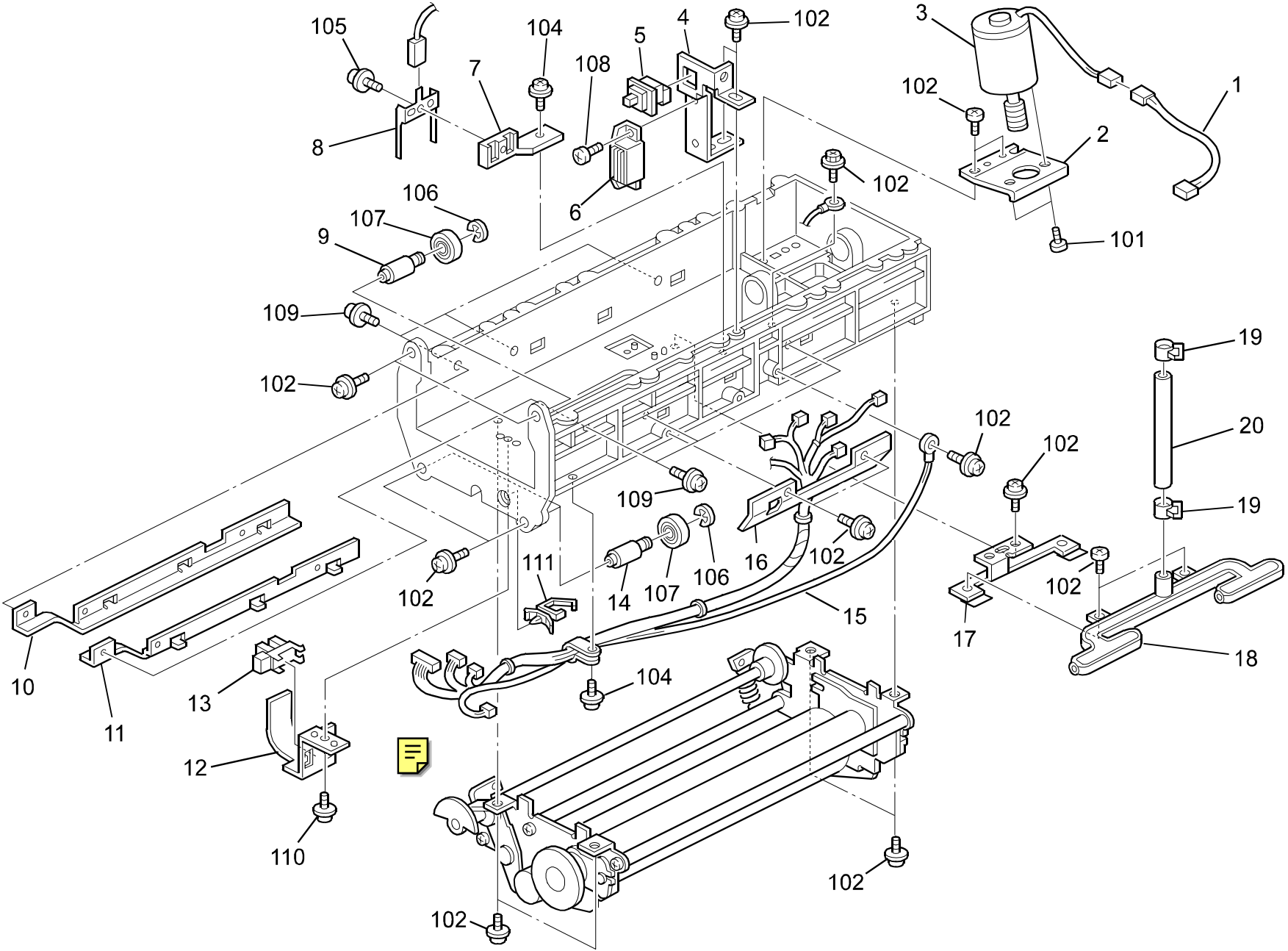


25.DRUM UNIT 3 (C229)


Index No.	Part No.	Description	Q'ty Per Assembly
1	C229 2496	Right Guide - Slide Rail	1
2	C229 2493	Right Ink Holder	1
3	C229 2500	Left Ink Holder	1
4	C229 2499	Left Guide - Slide Rail	1
5	C229 2488	Ink Holder Slider	2
6	C229 2486	Ink Holder	1
7	C229 2487	Ink Holder Knob	1
8	C229 2514	O-ring P9	1
9	C229 2498	Ink Cartridge Cover	1
10	C229 2515	O-ring P10	1
11	C229 2509	Ink Supply Pump	1
12	C229 2516	O-ring P14	1
13	5600 1403	Ball	2
14	C224 4715	Pump Spring - 13 Mm	2
15	C229 2532	Pump Case	1
16	C229 2510	Pump CAP	1
17	C229 2517	O-ring P16	1
18	C229 2511	Pump Shaft	1
19	C229 2519	Pump Shaft Guide	1
20	C229 2518	Pump Shaft Holder	1
21	C229 2520	Pump Drive Bracket	1
22	C229 2531	Pump Shaft Bushing	1
23	C229 2528	Worm Gear	1
24	C229 2527	Pump Gear	1
25	C229 2525	Bushing - Pump drive Gear	1
26	C229 2526	Large Drive Gear	1
27	C229 2537	Pump Motor Cover	1
28	C229 5803	DC Motor - 50W	1
29	C229 2501	Ink Supply Unit	1
30	AW02 0075	Photointerrupter	3
31	C229 2530	Ink Pump Sensor Bracket	1
32	C229 2609	Spring Plate	1
33	C229 2580	Slide Fixed Plate	1
34	C229 2583	Slider	1
35	C229 2581	Drum H.P Sensor Bracket	1

Index No.	Part No.	Description	Q'ty Per Assembly
36	C229 2624	Shift Drive Gear	1
37	C229 2624	Worm Gear	1
38	C229 2589	Drum Shift Cover	1
39	C229 2582	Drum Shift Sensor Bracket	1
40	C229 2571	Shift Motor Bracket	1
41	C229 1177	Shift Sensor Encoder	2
42	C229 5820	DC Motor - 20W	1
43	C229 2590	Shift Motor Cover	1
44	C229 2502	Ink Pump Ass'y	1
101	0314 0120Z	Philips Screw - 4x12	
102	0450 3008B	Tapping Screw - M3x8	
103	0313 0040B	Philips Pan Head Screw - M3x4	
104	0951 3006Z	Philips Screw With Flat Washer - M3	
105	0720 0050Z	Retaining Ring - M5	
106	0353 0040B	Screw - M3x4	
107	0574 0040E	Hexagon Headless Set Screw - M4x4	
108	1105 0199	Clamp	
109	0951 4008Z	Philips Screw With Flat Washer M4x8	
110	0951 4006Z	Philips Screw With Flat Washer - M4	
111	1105 0310	Harness Clamp - LWS-1S	
112	0314 0060Z	Philips Pan Head Screw - M4x6	

26.DRUM UNIT 4 (C229)

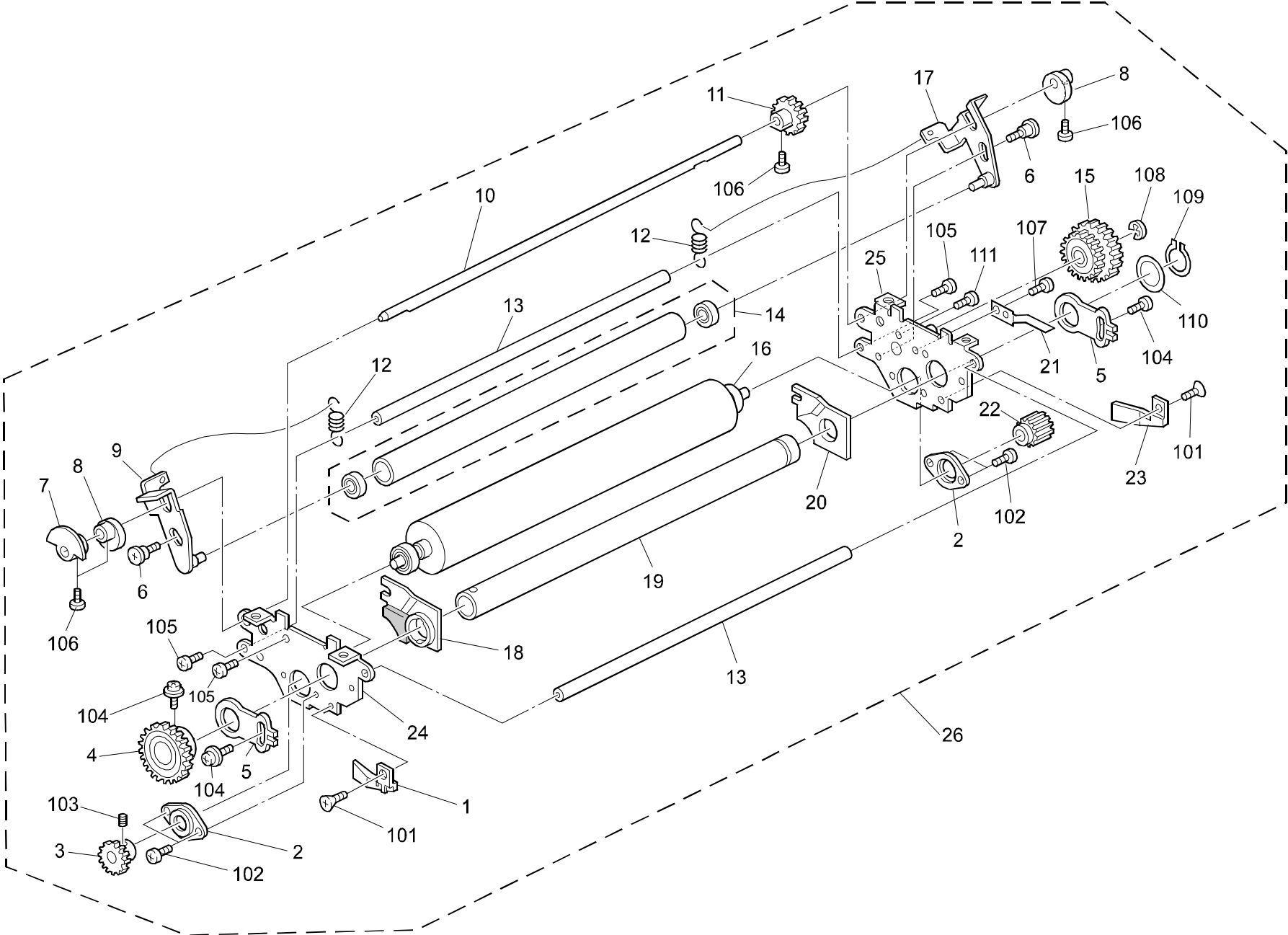


26.DRUM UNIT 4 (C229)

Index No.	Part No.	Description	Q'ty Per Assembly
1	C229 5256	Harness - Oil Supply Motor	1
2	C229 2558	Motor Bracket	1
3	C229 5804	DC Motor - 20W	1
4	C229 2490	Ink Bottle Bracket	1
5	AW50 0012	Push Switch	1
6	5054 0536	Magnet Catch Ass'y	1
7	C229 2491	Ink Sensor Bracket	1
8	C229 2492	Ink Sensor Terminal	1
9	C229 2369	Bearing Shaft	1
10	C229 2494	Left Slide Rail	1
11	C229 2495	Right Slide Rail	1
12	C229 2563	Sensor Bracket	1
13	AW02 0075	Photointerrupter	1
14	C229 2371	Bearing Shaft - Lower Left	1
15	C229 5214	Drum Harness	1
16	C229 2542	Harness Cover	1
17	C229 2534	Distributor Bracket	1
18	C229 2535	Ink Distributor	1
19	C209 4713	Hose Band	2
20	C229 2538	Ink Tube	1
			

Index No.	Part No.	Description	Q'ty Per Assembly
101	0353 0040B	Screw - M3x4	
102	0951 4006Z	Philips Screw With Flat Washer - M4	
103	1105 0016	Nylon Clamp - 4n	
104	0951 4008Z	Philips Screw With Flat Washer M4x8	
105	0450 4008B	Tapping Screw - 4x8	
106	0720 0050Z	Retaining Ring - M5	
107	0740 3206	Ball Bearing - 6x19x6mm	
108	0353 0060Z	Screw - M3x6	
109	0951 3006Z	Philips Screw With Flat Washer - M3	
110	0354 0040Z	Screw - M4x4	
111	1105 0310	Harness Clamp - LWS-1S	

27.DRUM UNIT 5 (C229)

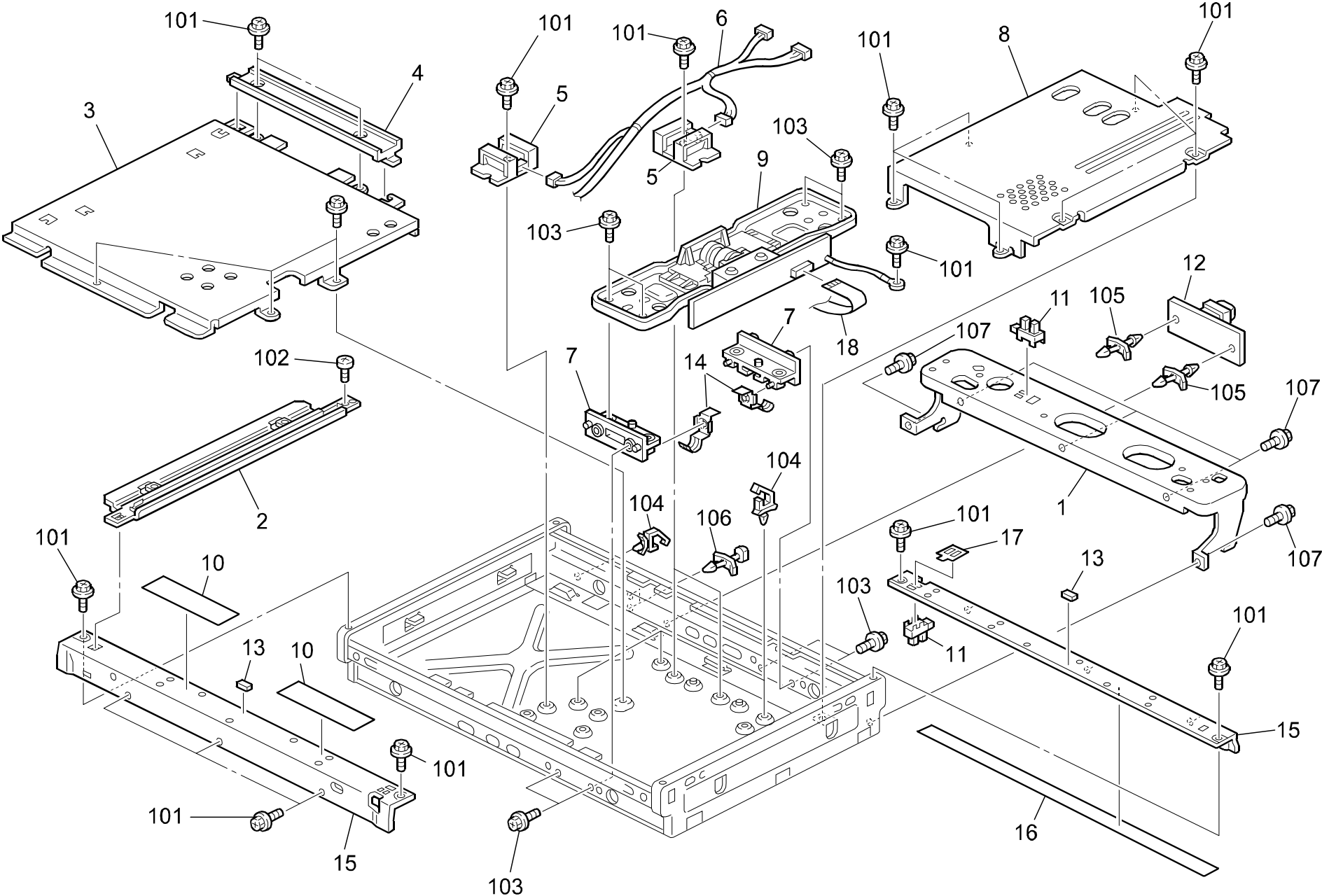


27.DRUM UNIT 5 (C229)

Index No.	Part No.	Description	Q'ty Per Assembly
1	C229 2470	Front Ink Blade	1
2	C201 4665	Bearing Holder	2
3	C229 2478	Gear - 19Z	1
4	C229 2459	Gear - 37Z	1
5	C229 2473	Adjusting Plate - Doctor Roller	2
6	C229 2561	Stepped Screw	2
7	C229 2550	Sensor Actuator	1
8	C229 2557	Ink Supply Roller Arm	2
9	C229 2552	Idling Roller Arm - Front	1
10	C229 2562	Idling Roller Arm Shaft	1
11	C229 2565	Reverse Gear	1
12	C229 2564	Press Roller Spring	2
13	C229 2479	Support Stay	2
14	C229 2545	Idling Roller Ass'y	1
15	C229 2460	Middle Drive Gear	1
16	C229 2451	Ink Roller	1
17	C229 2555	Idling Roller Arm - Rear	1
18	C229 2450	Front Side Plate - Doctor Roller	1
19	C229 2458	Doctor Roller	1
20	C229 2466	Rear Side Plate - Doctor Roller	1
21	C229 2472	Grounding Plate	1
22	C229 2456	Gear - 16Z	1
23	C229 2471	Rear Ink Blade	1
24	C229 2461	Front Side Plate	1
25	C229 2462	Rear Side Plate	1
26	C229 2315	Oil Supply Roller Ass'y	1

Index No.	Part No.	Description	Q'ty Per Assembly
101	0323 0060Z	Philips Sunk Screw - M3x6	
102	0313 0040Z	Philips Pan Head Screw - M3x4	
103	0574 0040E	Hexagon Headless Set Screw - M4x4	
104	0951 3006Z	Philips Screw With Flat Washer - M3	
105	0314 0060Z	Philips Pan Head Screw - M4x6	
106	0312 5050Z	Philips Pan Head Screw - M2.5x5	
107	0313 0040B	Philips Pan Head Screw - M3x4	
108	0720 0080Z	Retaining Ring - M8	
109	0725 0160E	Retaining Ring C - M16	
110	0807 7114	Washer - 16x24x0.3mm	
111	0314 0080Z	Philips Screw - 4x8	

28. SCANNER UNIT 1 (C229)

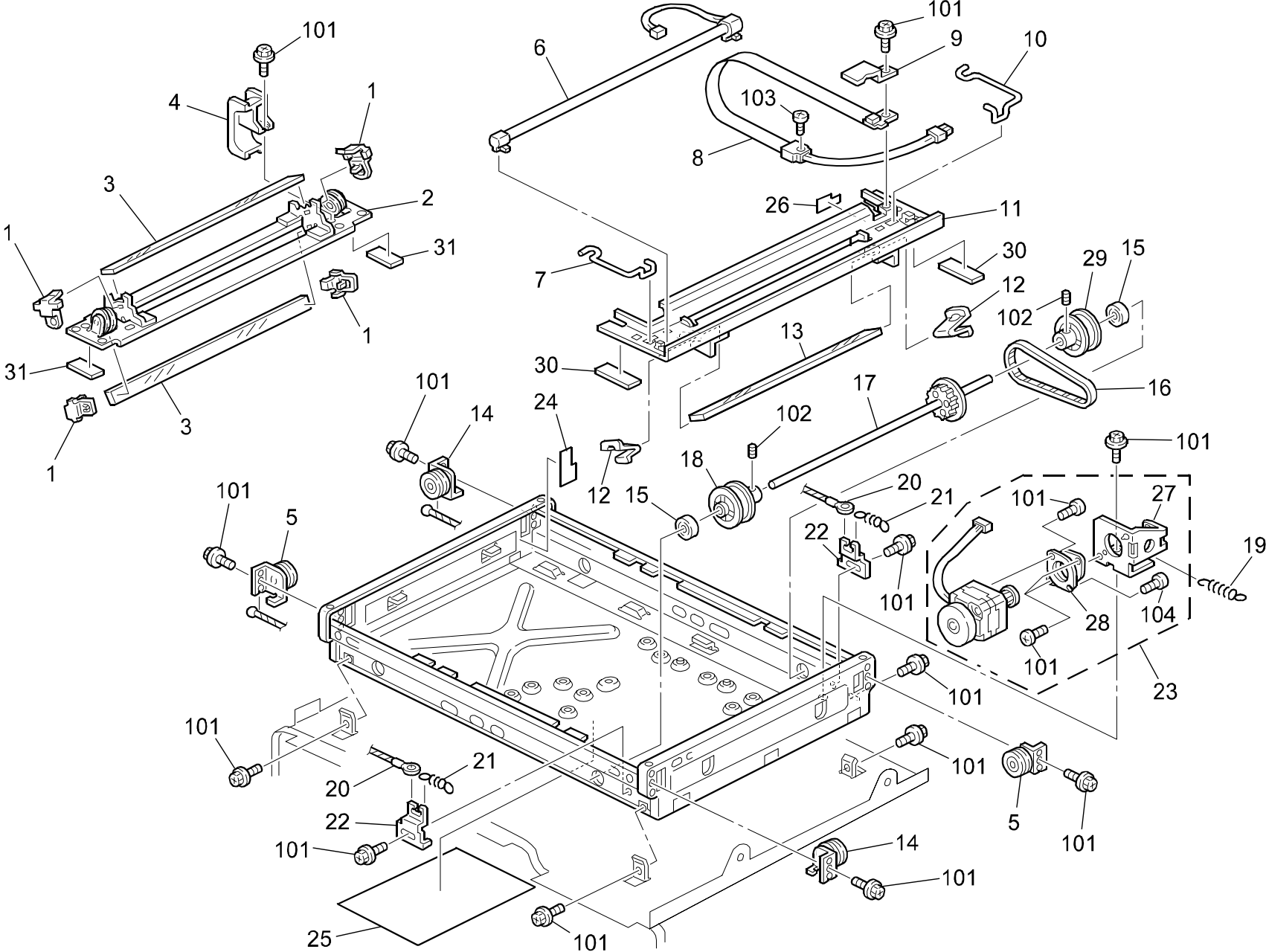


28. SCANNER UNIT 1 (C229)

Index No.	Part No.	Description	Q'ty Per Assembly
1	A193 1786	Platen Cover Bracket	1
2	A193 1754	Bracket - Left Original Scale	1
3	A193 1824	Left Inner Cover - Scanner Unit	1
4	A193 1781	Lower Harness Guide	1
5	A193 5906	Original Sensor	2
6	C229 5220	Scanner Harness	1
7	A193 1826	Lens Block Holder	2
8	A193 1689	Right Inner Cover	1
9	A193 1673	Lens Holder Ass'y	1
10	A193 1819	Front Seal - Scanner Frame	2
11	AW02 0075	Photointerrupter	2
12	A193 5730	Stabilizer - Xenon Lamp	1
13	5442 1924	Exposure Glass Cushion	2
14	A193 1790	Grounding Plate - Lens Block	2
15	A193 1818	Scanner Frame	2
16	A193 1795	Seal - Scanner Frame	1
17	A193 1793	Scanner Home Sensor Stopper	1
18	A193 5468	Harness - SBU	1

Index No.	Part No.	Description	Q'ty Per Assembly
101	0451 3006B	Tapping Screw - M3x6	
102	0353 0050F	Tapping Screw - M3x5	
103	0450 3010B	Tapping Screw - M3x10	
104	1105 0290	Harness Clamp - Horizontal	
105	1105 0195	PCB Stud	
106	1105 0415	Spacer - 12.7mm	
107	0451 3008B	Tapping Screw - M3x8	

29. SCANNER UNIT 2 (C229)

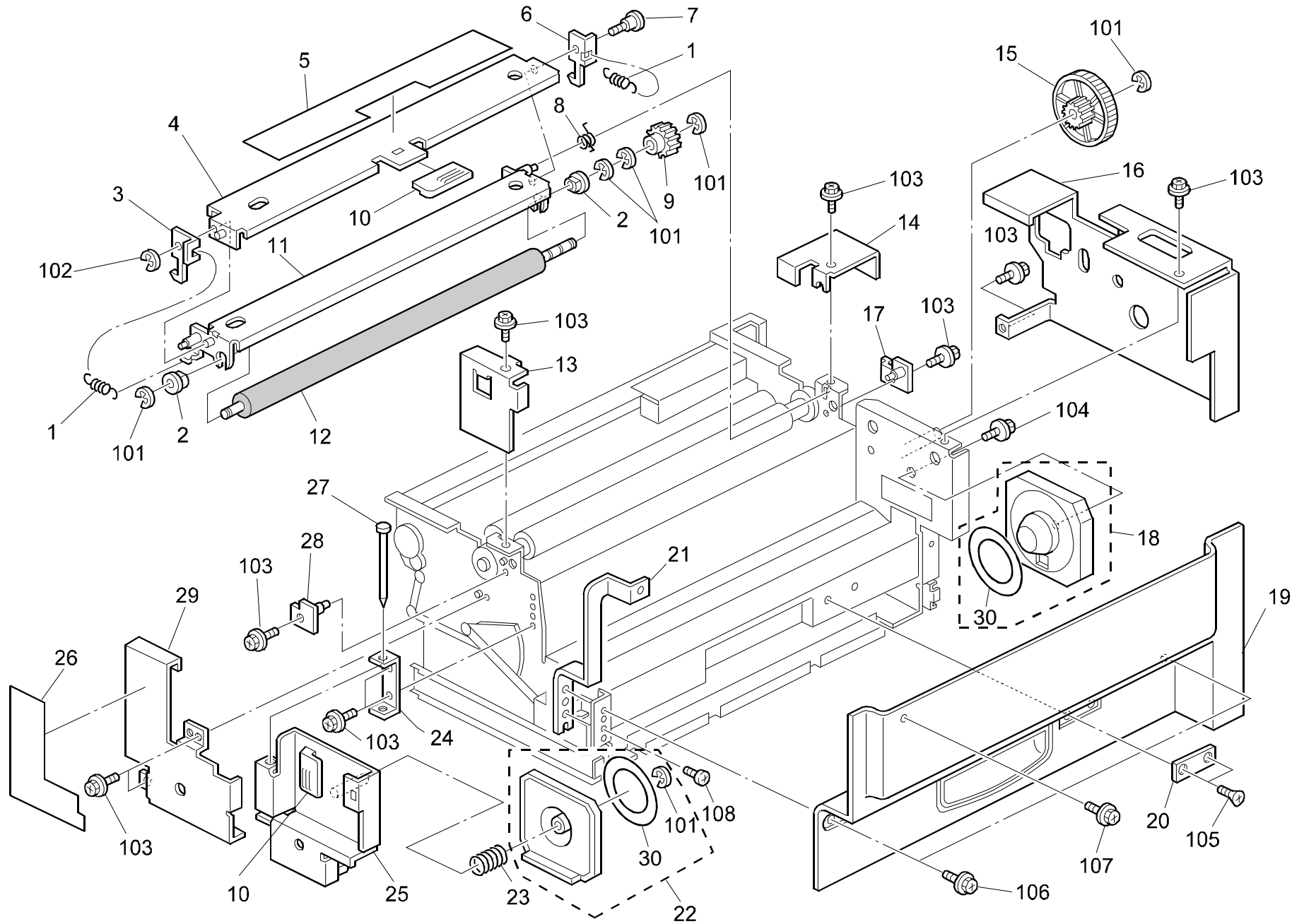


29. SCANNER UNIT 2 (C229)

Index No.	Part No.	Description	Q'ty Per Assembly
1	A193 1777	2nd/3rd Mirror Holder	4
2	A193 1770	2nd Scanner Ass'y	1
3	A193 1669	2nd/3rd Mirror	2
4	A193 1776	Upper Harness Guide	1
5	A193 1841	Pulley - Front Left	2
6	A193 5702	Exposure Lamp	1
7	A193 1766	Wire Clamp	1
8	A193 5703	Exposure Lamp Harness	1
9	A193 1799	Harness Guide - Exposure Lamp	1
10	A193 1769	Clamp - Rear Wire	1
11	A193 1760	1st Scanner Ass'y	1
12	A193 1767	1st Mirror Holder	2
13	A193 1764	1st Mirror	1
14	A193 1845	Pulley - Rear Left	2
15	A193 1829	Ball Bearing - M8	2
16	A193 1840	Timing Belt - L220 B8	1
17	A193 1682	Scanner Drive Pulley Ass'y	1
18	A193 1832	Front Scanner Pulley	1
19	A193 1784	Tension Spring	1
20	A193 1838	Scanner Drive Wire	2
21	A193 1783	Tension Spring	2
22	A193 1849	Tension Bracket	2
23	A193 1690	Scanner Motor - DC	1
24	A193 1798	Seal - Side Plate	1
25	A193 1820	Sheet:Base	1
26	A193 1796	Seal - Carriage	1
27	A193 1843	Motor Bracket	1
28	A193 1844	Stepping Motor Cushion	1
29	A193 1831	Rear Scanner Pulley	1
30	A193 1816	Slide Rail	2
31	A193 1817	Slide Rail 2	2

Index No.	Part No.	Description	Q'ty Per Assembly
101	0451 3006B	Tapping Screw - M3x6	
102	0575 0050E	Hexagon Headless Set Screw - M5x5	
103	0453 3014B	Taping Screw - M3x14	
104	0451 3008B	Tapping Screw - M3x8	

30.PLOTTER UNIT 1 (C229)

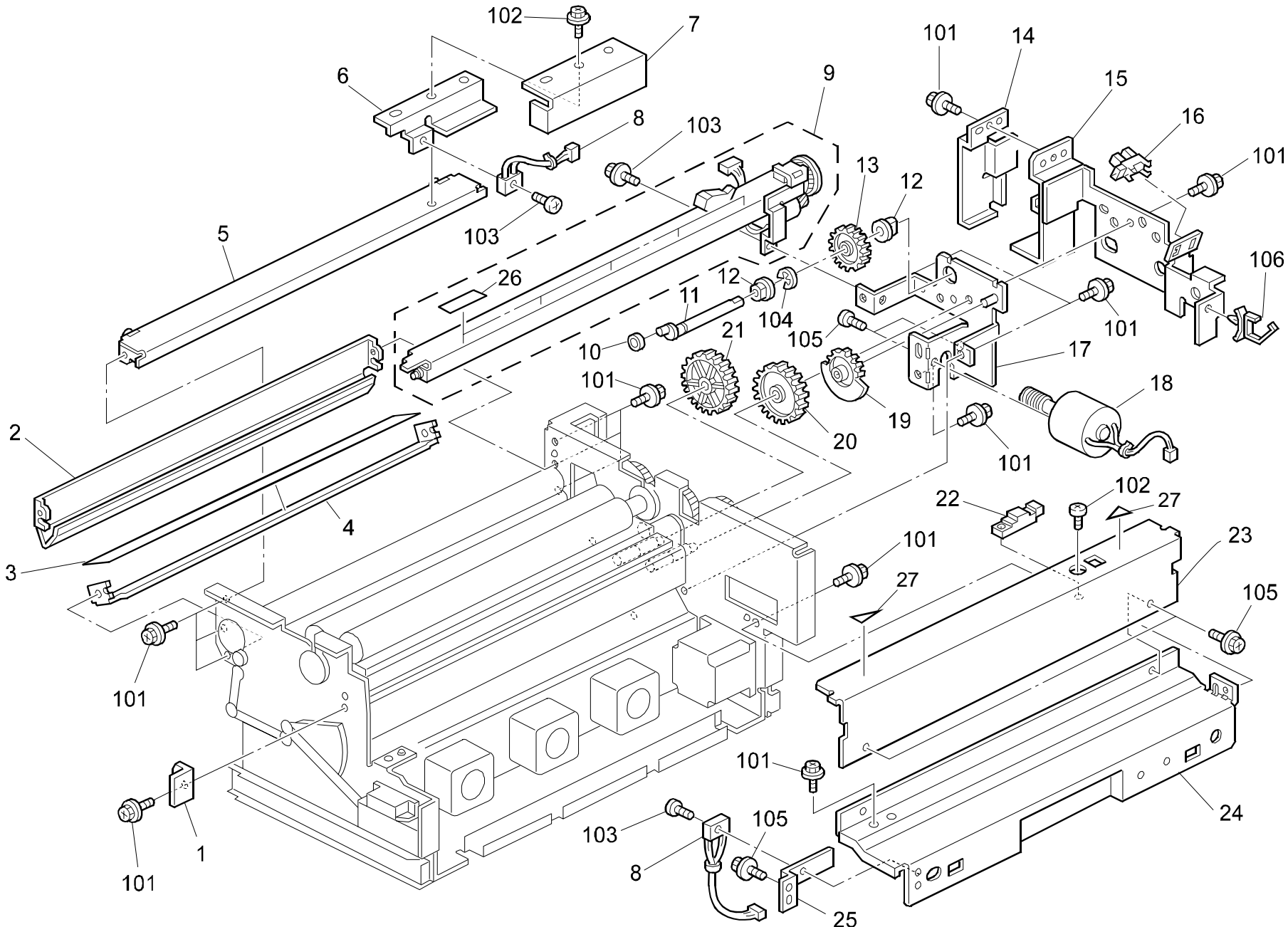


30.PLOTTER UNIT 1 (C229)

Index No.	Part No.	Description	Q'ty Per Assembly
1	C229 2159	Pressure Spring	2
2	H053 1600	Bushing - 6mm	2
3	C229 2148	Left Arm - Master Feed Roller	1
4	C229 2145	Master Roller Bracket	1
5	C229 2138	Decal - Master Set	1
6	C229 2149	Right Arm - Master Feed Roller	1
7	A077 4162	Shoulder Screw - M3	1
8	C229 2160	Release Spring	1
9	C229 2161	Master Feed Roller Gear	1
10	C229 2158	Maser Feed Roller Knob	2
11	C229 2150	Maser Feed Roller Stay	1
12	C229 2157	Master Feed Roller	1
13	C229 1976	Front Stopper	1
14	C229 1981	Rear Stopper	1
15	C229 2028	Maser Roll Pulley	1
16	C229 1982	Rear Cover	1
17	C229 2170	Positioning Pin	1
18	C229 2196	Rear Master Flange	1
19	C229 2132	Plotter Cover	1
20	C213 2435	Magnet Plate	1
21	C229 1979	Stay - Plotter Cover	1
22	C229 2197	Front Master Flange	1
23	C229 2191	Master Pressure Spring	1
24	C229 2188	Front Master Stay	1
25	C229 2193	Front Bracket - Master Flange	1
26	C229 1978	Decal - Master Removal	1
27	C229 2187	Bracket Hinge Pin	1
28	C229 2165	Front Positioning Pin	1
29	C229 1977	Plotter Cover - Front	1
30	C229 2183	Master Flange Sheet	2

Index No.	Part No.	Description	Q'ty Per Assembly
101	0720 0040E	Retaining Ring - M4	
102	0720 0030E	Retaining Ring - M3	
103	0451 3006B	Tapping Screw - M3x6	
104	0450 3008B	Tapping Screw - M3x8	
105	0324 0140B	Philips Sunken Head Screw - M4x14	
106	0451 4008Z	Tapping Screw 4x8	
107	0451 4006Z	Tapping Screw 4x6	
108	0354 0060B	Screw - M4x6	

31.PLOTTER UNIT 2 (C229)

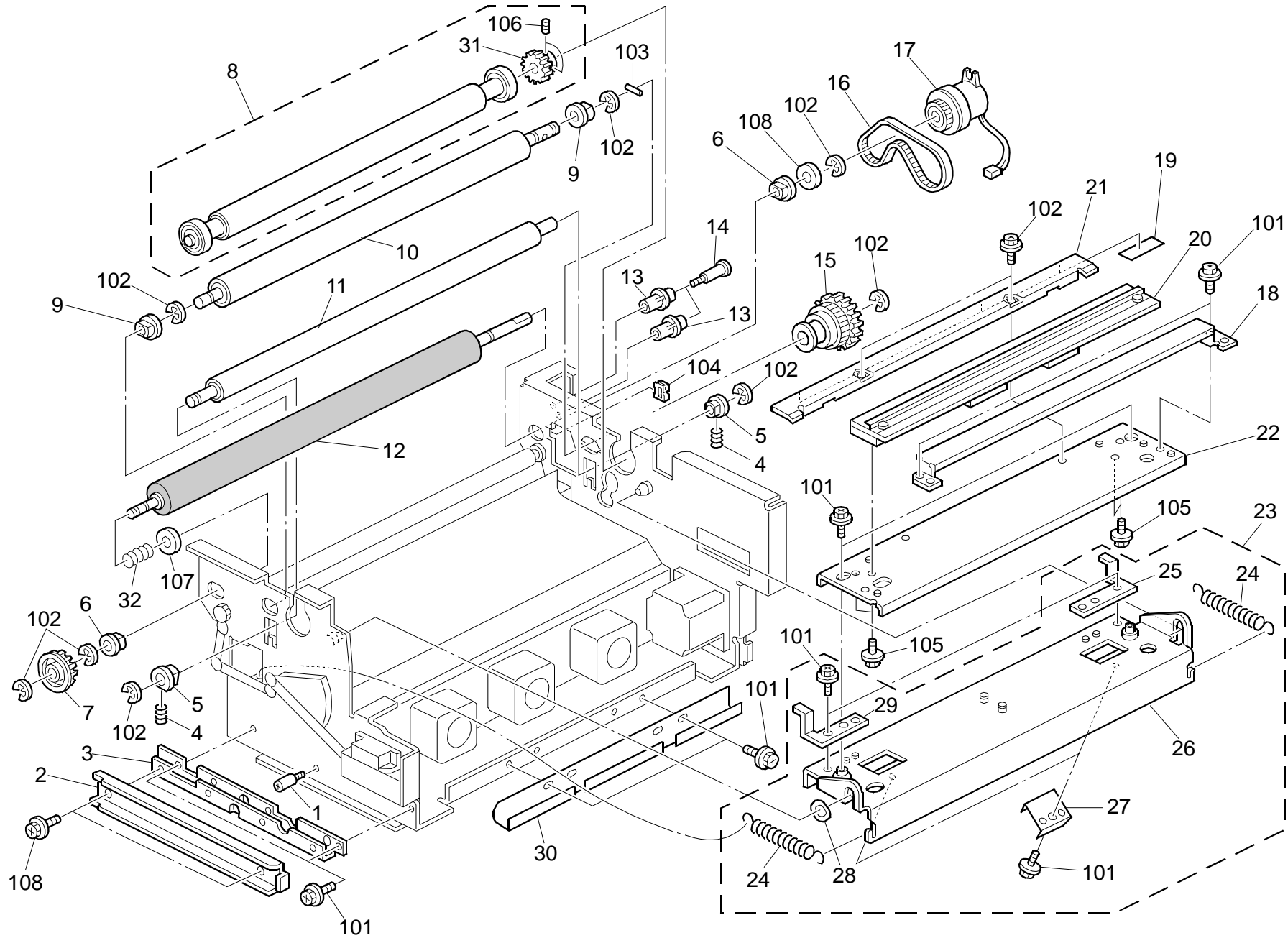


31.PLOTTER UNIT 2 (C229)

Index No.	Part No.	Description	Q'ty Per Assembly
1	C229 2189	Master Flange Spring	1
2	C229 2036	Rear Upper Guide Plate	1
3	C229 2037	Lower Guide Mylar	1
4	C229 2035	Rear Lower Guide Plate	1
5	C229 1985	Master Unit Stay	1
6	C229 2240	Bracket - Master Sensor	1
7	C229 2239	Master Sensor Cover	1
8	C209 8117	Drum Master Detection Sensor	2
9	C229 2209	Cutter Unit Ass'y	1
10	C229 2113	Release Roller	1
11	C229 2112	Release Cam	1
12	H012 1181	Bushing- 6mm	2
13	C229 2102	Drive Gear - 26Z	1
14	C229 2273	Rear Harness Cover	1
15	C229 2271	H.P Sensor Bracket	1
16	AW02 0075	Photointerrupter	2
17	C229 2109	Motor Bracket	1
18	C229 5803	DC Motor - 50W	1
19	C229 2105	Actuator Gear	1
20	C229 2104	Idle Gear	1
21	C229 2103	Worm Gear	1
22	C229 5807	Photosensor - GP2A25	1
23	C229 2135	Lower Master Guide	1
24	C229 2139	Lower Master Cover	1
25	C229 2251	Position Sensor Bracket	1
26	C229 2032	Left Guide Mylar	5
27	C229 2142	Decal - Master Position	2

Index No.	Part No.	Description	Q'ty Per Assembly
101	0451 3006B	Tapping Screw - M3x6	
102	0353 0060B	Philips Pan Head Screw - M3x6	
103	0352 0080B	Screw M2.5x8	
104	0720 0040E	Retaining Ring - M4	
105	0353 0040B	Screw - M3x4	
106	1105 0413	Harness Clamp	

32.PLOTTER UNIT 3 (C229)

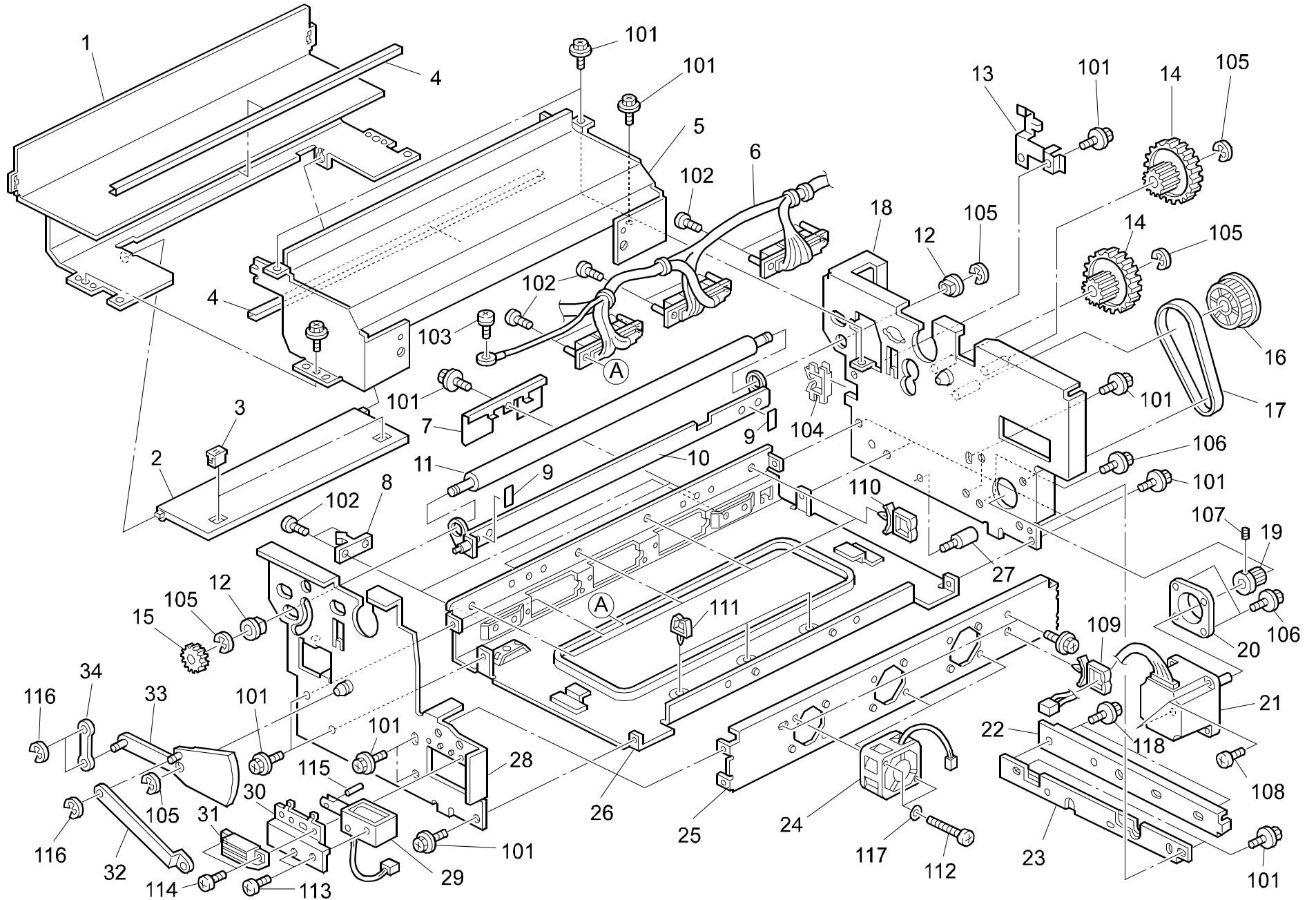


32.PLOTTER UNIT 3 (C229)

Index No.	Part No.	Description	Q'ty Per Assembly
1	C229 1994	Middle Rail Stopper Ass'y	1
2	C229 1995	Slide Rail	1
3	C229 1993	Silde Rail Spacer	1
4	C229 2004	Pressuer Spring	2
5	AA08 2028	Bushing	2
6	H053 1600	BUSHING - M6 : CUFE	2
7	C229 2025	Gear - 23Z	1
8	C229 2080	Platen Roller Ass'y	1
9	H012 1181	Bushing- 6mm	2
10	C229 2002	Upper Tension Roller	1
11	C229 2003	Lower Tension Roller	1
12	C229 2008	Upper Inverter Roller	1
13	C229 2017	Bushing	2
14	C229 2016	Stepped Screw	2
15	C229 2014	Tolqulimmiter Gear	1
16	C229 2018	Timing Belt - Reverse Roller	1
17	C229 5810	Magnetic Clutch	1
18	C229 2121	Right Guide Plate - Thermal Head	1
19	C229 2122	Right Roller Guide	4
20	C229 5181	Thermal Head - A3	1
21	C229 2119	Left Guide Plate - Thermal Head	1
22	C229 2120	Thermal Head Spacer	1
23	C229 2085	Thermal Head Base	1
24	C229 2095	Thermal Head Spring	2
25	C229 2097	Rear Release Arm	1
26	C229 2087	Thermal Head Stay	1
27	C229 2094	Spring Plate	2
28	C218 4038	Bushing Washer - M8	1
29	C229 2096	Front Release Arm	1
30	C229 2249	Grounding Plate	1
31	C229 2082	Platen Roller Gear	1
32	C229 2010	Pressure Spring	1

Index No.	Part No.	Description	Q'ty Per Assembly
101	0451 3006B	Tapping Screw - M3x6	
102	0720 0040E	Retaining Ring - M4	
103	0622 0100E	Spring Pin - 2x10mm	
104	1105 0113	Edge - P108	
105	0313 0060B	Philips Pan Head Screw - M3x6	
106	0574 0040E	Hexagon Headless Set Screw - M4x4	
107	0701 0060Z	Flat Washer - M6	
108	0353 0060Z	Screw - M3X6	

33.PLOTTER UNIT 4 (C229)

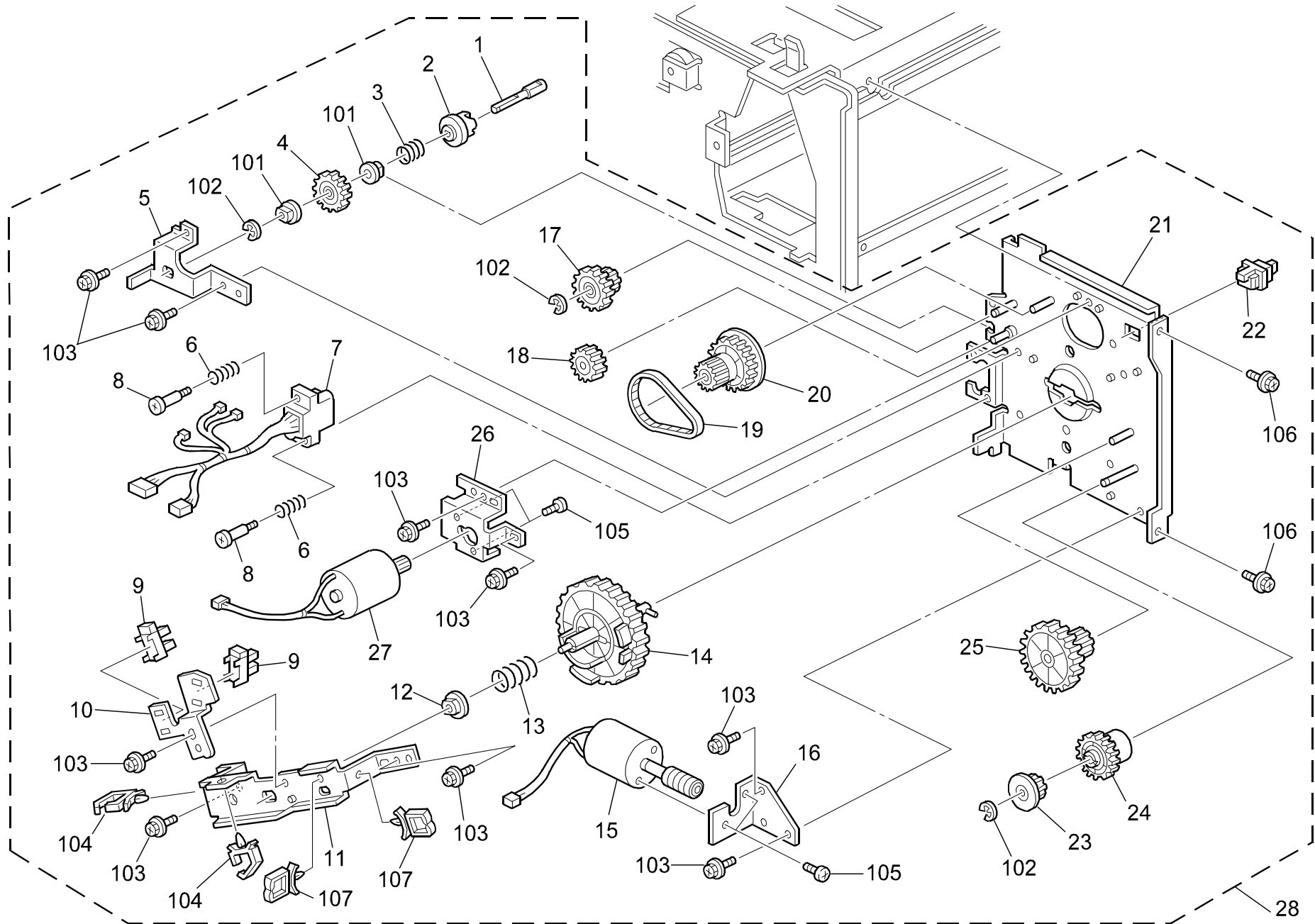


33.PLOTTER UNIT 4 (C229)

Index No.	Part No.	Description	Q'ty Per Assembly
1	C229 2068	Lower Duct Case	1
2	C229 2064	Lower Duct Cover	1
3	A049 3371	Magnet	1
4	C229 2078	Guard - Duct	2
5	C229 2073	Upper Duct Cover	1
6	C229 5248	Plotter Harness	1
7	C229 2248	Left Grounding Plate	2
8	A659 1272	Door Catch	2
9	C229 2047	Right Reverse Roller Guide	2
10	C229 2042	Release Guide Plate	1
11	C229 2009	Lower Reverse Roller	1
12	H053 1600	Bushing - 6mm	2
13	C229 2254	Harness Cover	1
14	C229 2022	Idle Gear - Platen Roller	2
15	C229 2026	Gear - 15Z	1
16	C229 2021	Motor Pulley	1
17	C229 2222	Timing Belt - Master Feed Motor	1
18	C229 1961	Rear Side Plate	1
19	C219 4071	Gear - 17Z	1
20	C229 2221	Master Feed Motor Bracket	1
21	C229 5802	Stepper Motor	1
22	C229 1995	Slide Rail Ass'y	1
23	C229 1998	Rear Rail Spacer	1
24	C222 8208	Air Knife Motor	3
25	C229 2065	Right Guide Plate	1
26	C229 2255	Plotter Bottom Plate	1
27	C229 1994	Middle Rail Stopper	1
28	C229 1951	Front Side Plate	1
29	C209 8234	Drum Lock Solenoid	1
30	C229 2215	Solenoid Cover	1
31	5054 0536	Magnet Catch Ass'y	1
32	C229 2058	Lower Guide Link	1
33	C229 2052	Release Guide Arm	1
34	C229 2057	Upper Link Arm	1

Index No.	Part No.	Description	Q'ty Per Assembly
101	0451 3006B	Tapping Screw - M3x6	
102	0313 0080B	Philips Pan Head Screw - M3x8	
103	0354 0060B	Screw - M4x6	
104	1105 0328	Harness Clamp - ES-0505	
105	0720 0040E	Retaining Ring - M4	
106	0451 4008B	Philips Tapping Screw - M4x8	
107	0574 0040E	Hexagon Headless Set Screw - M4x4	
108	0314 0080B	Philips Pan Head Screw - M4x8	
109	1105 0310	Harness Clamp - LWS-1S	
110	1105 0291	Harness Clamp - LWS-3S	
111	1105 0230	Clamp	
112	0313 0350B	Philips Pan Head Screw - M3x35	
113	0353 0040B	Screw - M3x4	
114	0353 0060B	Philips Pan Head Screw - M3x6	
115	0623 0120E	Spring Pin - M3x12	
116	0720 0030E	Retaining Ring - M3	
117	0701 0030Z	Flat Washer - M3	
118	0353 0060Z	Screw - M3x6	

34.MASTER EJECT 1 (C229)

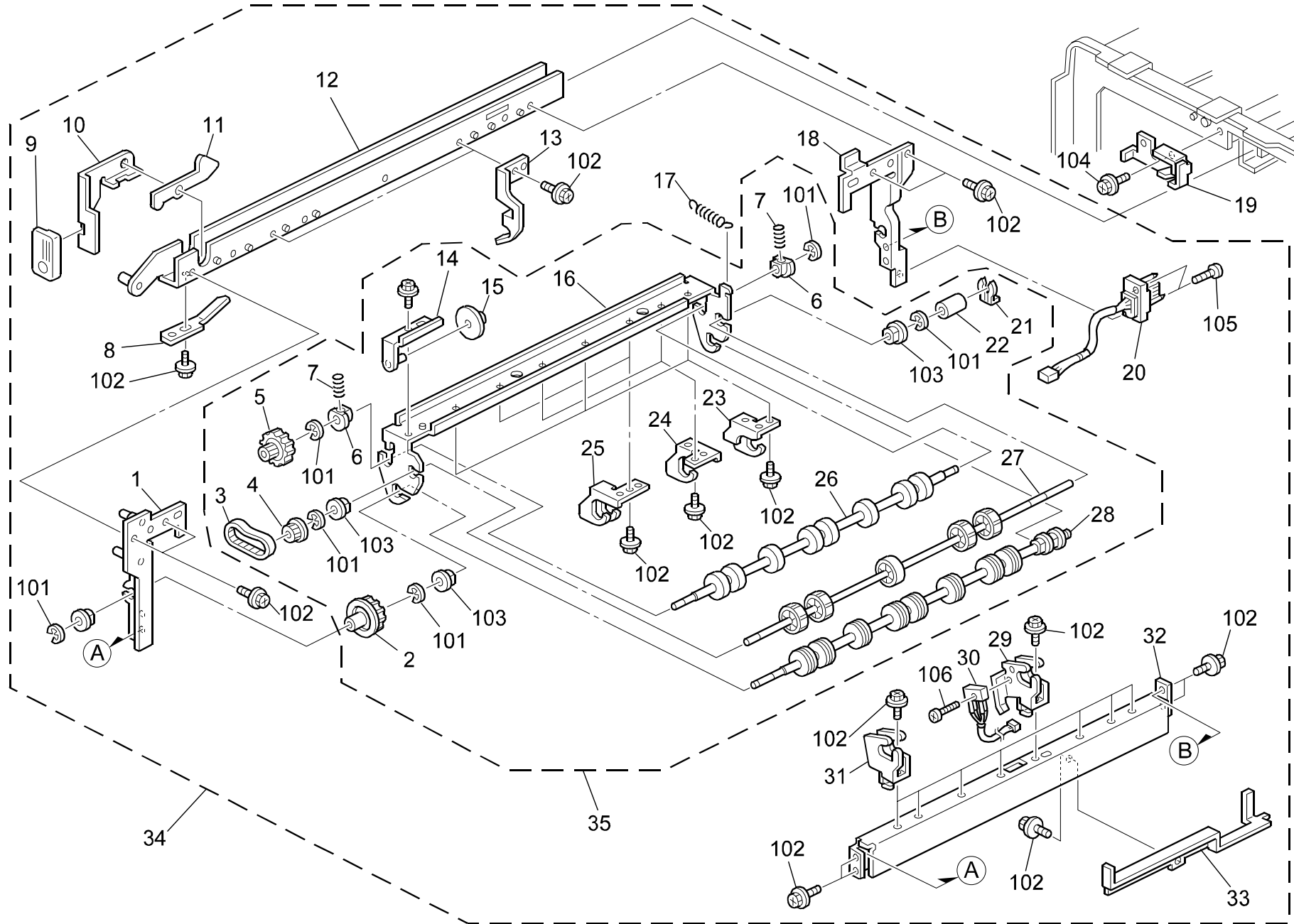


34.MASTER EJECT 1 (C229)

Index No.	Part No.	Description	Q'ty Per Assembly
1	C229 3548	Joint Shaft	1
2	C229 3547	Joint Cam	1
3	C229 3541	Joint Pressuer Spring	1
4	C229 2102	Gear - 26Z	1
5	C229 3549	Joint Gear Bracket	1
6	AA06 3163	Connector Spring	2
7	C229 5228	Relay Harness - Master Eject	1
8	AA14 3120	Stepped Screw - M3x3	2
9	AW02 0075	Photointerrupter	2
10	C229 3582	Positioning Sensor Bracket	1
11	C229 3564	Eject Cam Holder	1
12	C229 3566	Bushing - 8mm	1
13	C229 3565	Maser Eject Cam Spring	1
14	C229 3559	Maser Eject Cam	1
15	C229 5803	DC Motor - 50W	1
16	C229 3563	Motor Bracket	1
17	C229 3545	2nd Gear - 8Z/32Z	1
18	C229 3542	3rd Gear - 22Z	1
19	C229 3551	Timing Belt - S2M160	1
20	C229 3544	Gear Pulley - 18Z/60Z	1
21	C229 3570	Rear Side Plate	1
22	AW50 0012	Push Switch	1
23	C229 3557	Gear - 17Z	1
24	C229 3556	Torque Limmiter	1
25	C229 3558	2nd Gear - 18Z/49Z	1
26	C229 3543	Mortor Bracket	1
27	C229 5811	DC Motor - 50W	1
28	C229 3402	Maser Eject Drive Ass'y	1

Index No.	Part No.	Description	Q'ty Per Assembly
101	0805 3385	Bushing - 6mm	
102	0720 0040E	Retaining Ring - M4	
103	0451 3006B	Tapping Screw - M3x6	
104	1105 0310	Harness Clamp - LWS-1S	
105	0313 0040B	Philips Pan Head Screw - M3x4	
106	0451 4006B	Tapping Screw - 4x6	
107	1105 0199	Clamp	

35.MASTER EJECT 2 (C229)

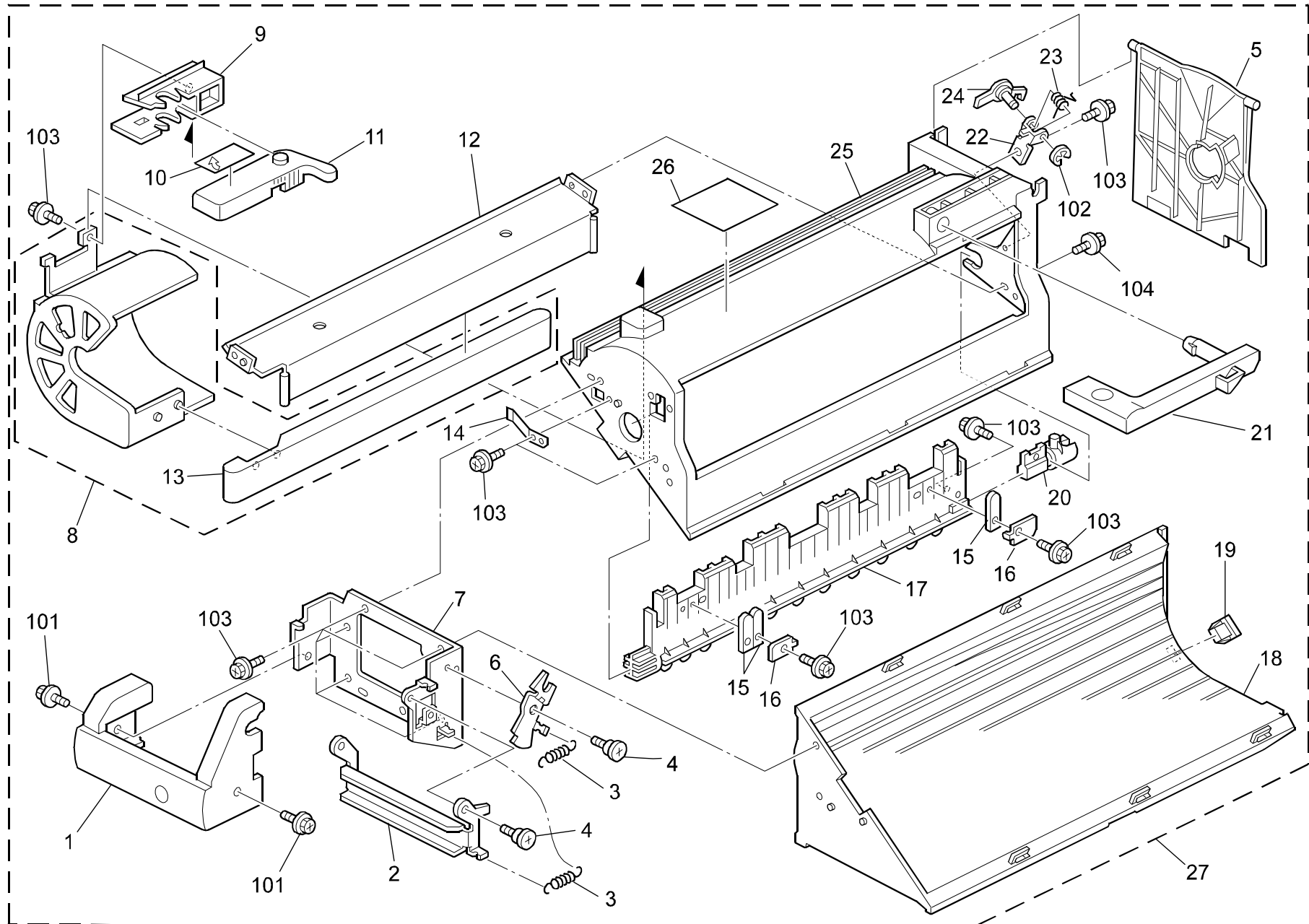


35.MASTER EJECT 2 (C229)

Index No.	Part No.	Description	Q'ty Per Assembly
1	C229 3487	Front Slide Plate	1
2	C229 3537	Transport Lower Gear - 26Z	1
3	C229 3532	Timing Belt - S2M76	1
4	C229 3530	Driven Pulley - 18Z	1
5	C229 3531	Gear/Pulley - 26Z/16T	1
6	C229 3486	Bushing - Maser Eject Roller	2
7	C229 3459	Pressure Spring	2
8	C229 3476	Spring Plate	1
9	C229 3471	Roller Unit Knob	1
10	C229 3478	Roller Unit Arm	1
11	C229 3474	Roller Unit Lock Arm	1
12	C229 3485	Upper Slide Rail	1
13	C229 3609	Master Edge Guide	2
14	C229 3533	Belt Tension Bracket	1
15	C229 3536	Belt Tension Callar	1
16	C229 3455	Roller Stay	1
17	C229 3482	Pressuer Spring	1
18	C229 3462	Rear Side Plate	1
19	C229 3589	Slide Rail Stopper	1
20	C229 5254	Harness - Master Sensor	1
21	5447 2681	Snap Ring	1
22	C229 3481	Callar - 6mm	1
23	C229 3457	Rear Upper Guide	3
24	C229 3458	Front Upper Guide	2
25	C229 3456	Middle Guide	2
26	C229 3453	Upper Transport Roller	1
27	C229 3454	Separation Roller	1
28	C229 3451	Lower Transport Roller	1
29	C229 3467	Sensor Bracket	1
30	C229 5825	Master Sensor	1
31	C229 3465	Transport Lower Guide	7
32	C229 3464	Lower Stay	1
33	C229 3488	Sensor Harness Cover	1
34	C229 3400	Maser Eject Roller Ass'y	1
35	C229 3450	Transport Roller	1

Index No.	Part No.	Description	Q'ty Per Assembly
101	0720 0040E	Retaining Ring - M4	
102	0451 3006B	Tapping Screw - M3x6	
103	0805 3385	Bushing - 6mm	
104	0451 4006B	Tapping Screw - 4x6	
105	0313 0080B	Philips Pan Head Screw - M3x8	
106	0242 0080Z	Screw - M2x8	

36.MASTER EJECT 3 (C229)

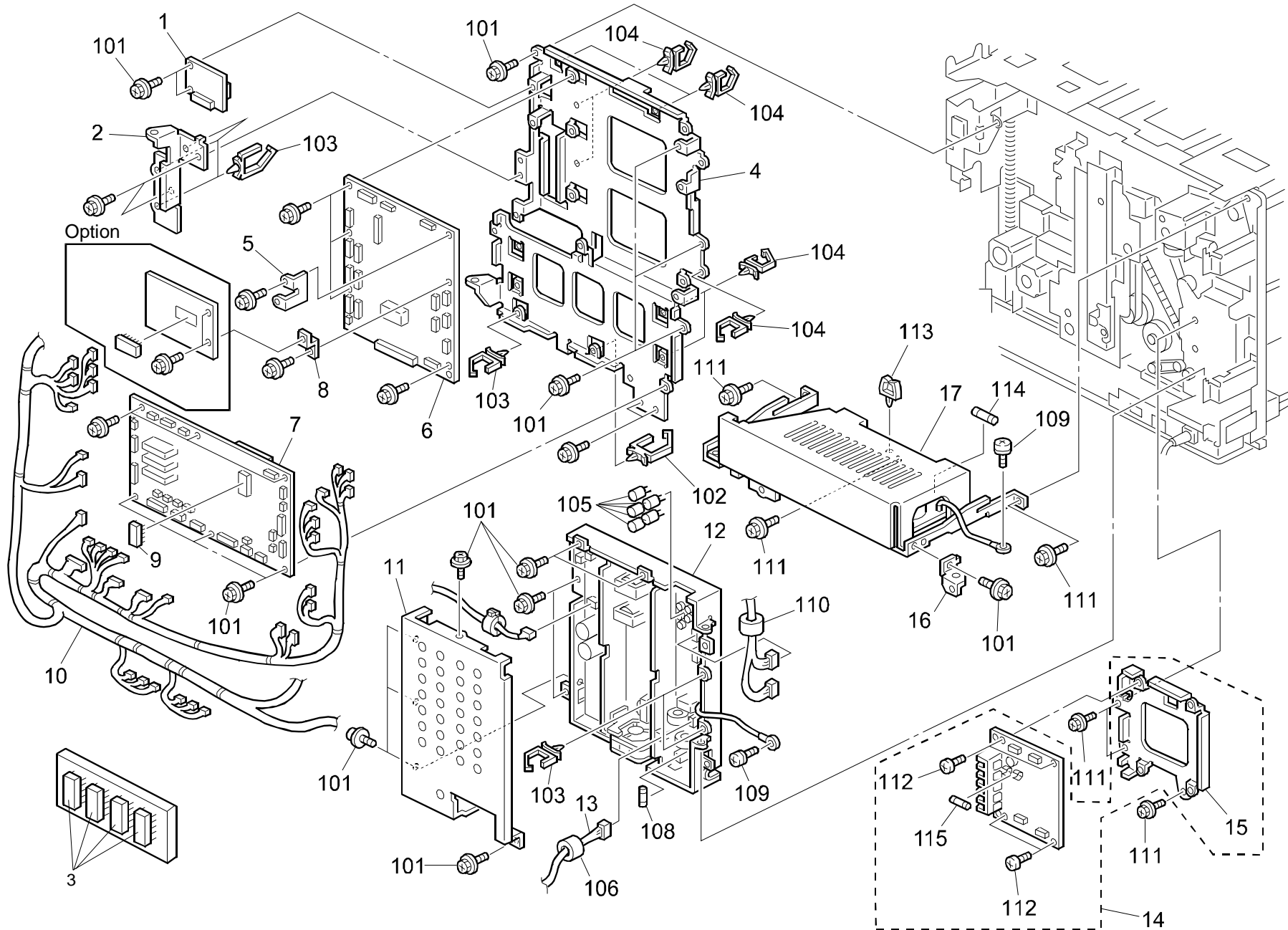


36.MASTER EJECT 3 (C229)

Index No.	Part No.	Description	Q'ty Per Assembly
1	C229 3521	Mster Eject Box Grip	1
2	C229 3524	Eject Box Lock Lever	1
3	C229 3525	Release Spring	2
4	C229 3522	Stepped Screw	2
5	C229 3510	Maser Eject Cover	1
6	C229 3523	Eject Box Lock Arm	1
7	C229 3526	Eject Box Grip Bracket	1
8	C229 3497	Eject Box Guide Ass'y	1
9	C229 3501	Eject Box Slider	1
10	C229 3529	Decal - Master Eject Slider	1
11	C229 3502	Slide Lock Lever	1
12	C229 3518	Eject Box Upper Stay	1
13	C229 3499	Eject Box Lower Stay	1
14	C229 3514	Grounding Plate	1
15	C229 3495	Master Stripper Pawl	3
16	C229 3496	Master Stripper Pawl Holder	2
17	C229 3493	Master Press Arm	1
18	C229 3517	Lower Left Case	1
19	A049 3371	Magnet	1
20	C229 3494	Master Press Arm Shaft	1
21	C229 3513	Upper Case Grip	1
22	C229 3509	Upper Case Bracket	1
23	C229 3508	Release Spring	1
24	C229 3505	Upper Case Release Lever	1
25	C229 3491	Upper Case	1
26	C229 3528	Decal - Maser Eject Box	1
27	C229 3401	Maser Eject Box Ass'y	1

Index No.	Part No.	Description	Q'ty Per Assembly
101	0451 4008B	Philips Tapping Screw - M4x8	
102	0720 0040E	Retaining Ring - M4	
103	0450 3008B	Tapping Screw - M3x8	
104	0451 3006B	Tapping Screw - M3x6	

37.ELECTRICAL SECTION 1 (C229)

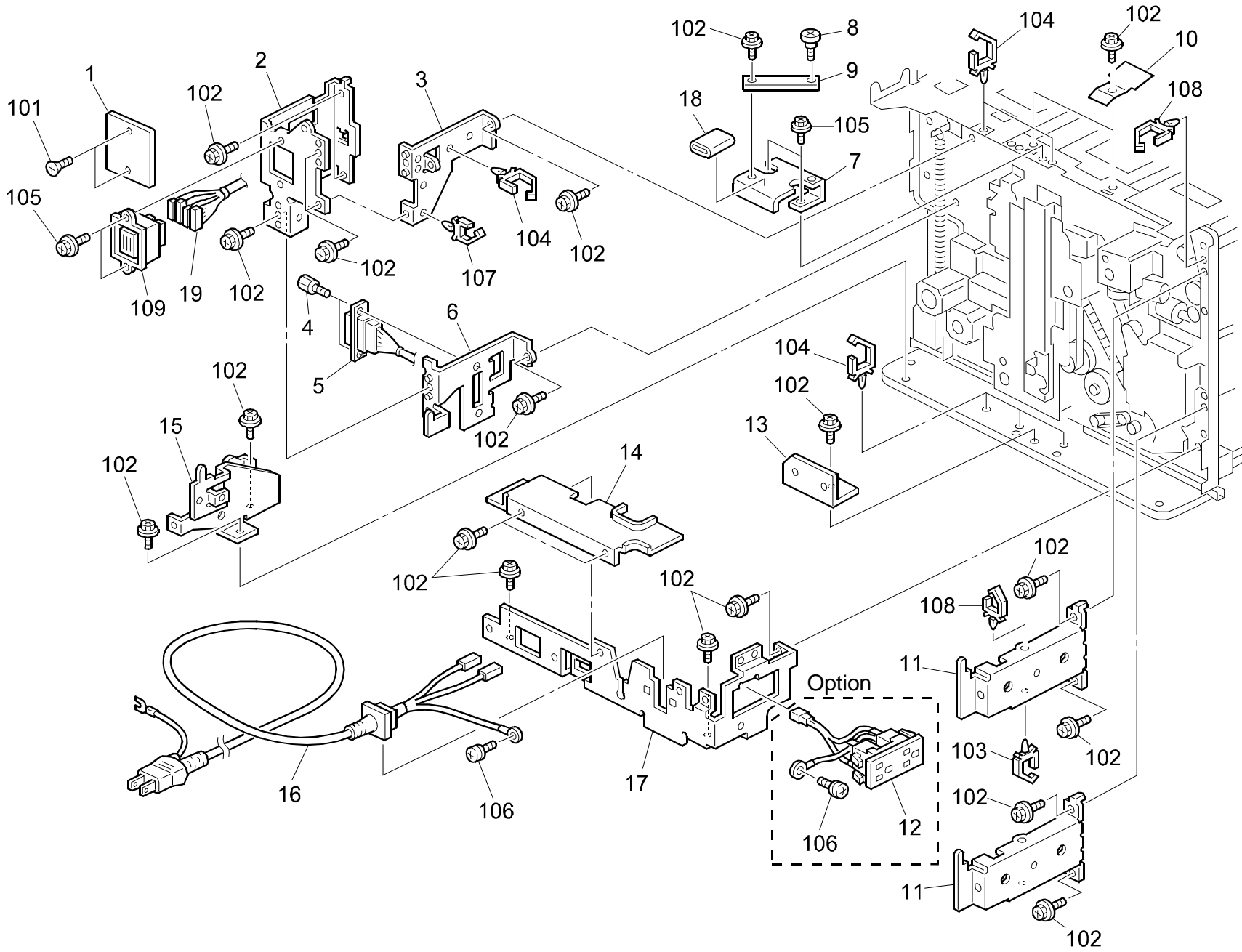


37.ELECTRICAL SECTION 1 (C229)

Index No.	Part No.	Description	Q'ty Per Assembly
1	C580 1001	Interface Board	1
2	C229 5618	Upper Hinge	1
3	C229 5114	BLOCK DIAGRAM:IC	1
4	C229 5616	MPU Bracket	1
5	C229 5656	Upper Ground Plate - PCB	1
6	C229 5110	MPU Board	1
7	C229 5120	I/O Control Board	1
8	C229 5657	Lower Grounding Plate - PCB	1
9	C229 5124	IC - UVEPROM 512K X8 100NS	1
10	C229 5200	DC Drive Harness	1
11	C229 5621	PSU Cover	1
12	C229 5300	DC Power Supply Unit - 115V	1
12	C229 5320	DC Power Supply Unit - 230V	1
13	C229 5216	Main Switch Harness	1
14	C229 5150	Motor Control Board Ass'y	1
15	C229 5622	Motor Control Board Bracket	1
16	C229 1281	Upper Left Cover Bracket	1
17	C229 5310	DC Power Supply - Thermal Head (115V)	1
17	C229 5330	DC Power Supply - Thermal Head (230V)	1

Index No.	Part No.	Description	Q'ty Per Assembly
101	0451 3006B	Tapping Screw - M3x6	
102	1105 0292	Wire Saddle	
103	1105 0413	Harness Clamp	
104	1105 0310	Harness Clamp - LWS-1S	
105	1107 0712	Fuse - K19374/5A	
106	1607 0622	Fettite Core - TFC16816	
107	1105 0291	Harness Clamp - LWS-3S	
108	1107 0874	Fuse - 10A 125V	
108	1107 0880	Fuse - 6.3A 250V	
109	0801 0150	Philips Screw - M4x8	
110	1607 0638	Ferrite Core - TFC25-15-12	
111	0451 4006B	Tapping Screw - 4x6	
112	0313 0060B	Philips Pan Head Screw - M3x6	
113	1105 0199	Clamp	
114	1107 0875	Fuse 1A 250V (230V)	
114	1107 0876	Fuse 2A 250V (115V)	
115	1107 0652	Fuse - 10A 125V	

38.ELECTRICAL SECTION 2 (C229)

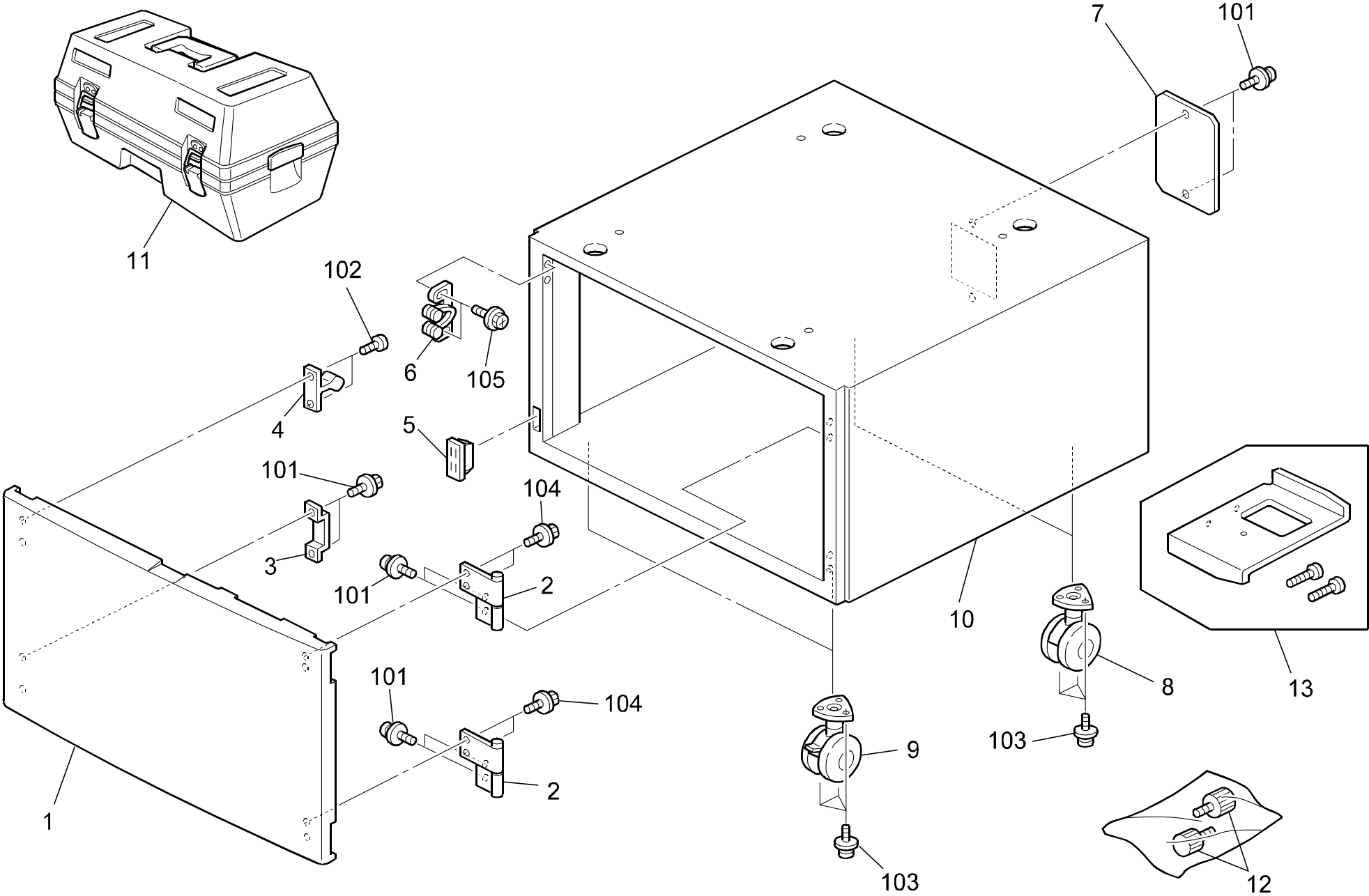


38.ELECTRICAL SECTION 2 (C229)

Index No.	Part No.	Description	Q'ty Per Assembly
1	C217 2455	Key Counter Cover	1
2	C229 5624	Key Counter Bracket	1
3	C229 5626	Upper Bracket - MPU Board	1
4	C580 1550	Stepped Screw - M2.6	2
5	C580 1500	Relay Harness	1
6	C229 5625	Interface Bracket	1
7	C229 5636	Flate Cable Bracket	1
8	A109 4775	Stepped Screw - M5	1
9	C218 3039	Flat Cable Clamp	1
10	C229 5633	Rear Grounding Plate	2
11	C229 5615	Power Supply Unit Bracket	2
12	C229 5819	Outlet Connector - 3P (Option)	1
13	C229 5617	Lower Ground Plate - PCB	1
14	C229 5613	Power Supply Cord Cover	1
15	C229 5619	Lower Bracket - MPU Board	1
16	AZ00 0037	Power Supply Cord - 125V	1
16	C229 5835	Power Supply Cord - 250V	1
17	C229 5611	Power Supply Cord Bracket	1
18	C229 5832	Flat Cable Cover	1
19	C229 5274	ADF Relay Harness	

Index No.	Part No.	Description	Q'ty Per Assembly
101	0323 0100Z	Philips Sunken Head Screw - M3x10	
102	0451 4006B	Tapping Screw - 4x6	
103	1105 0291	Harness Clamp - LWS-3S	
104	1105 0413	Harness Clamp	
105	0451 3006B	Tapping Screw - M3x6	
106	0801 0150	Philips Screw - M4x8	
107	1105 0292	Wire Saddle	
108	1105 0310	Harness Clamp - LWS-1S	
109	1102 7445	Connector - 46P	

39.OPTION DRUM (C229)



39.OPTION DRUM (C229)

Index No.	Part No.	Description	Q'ty Per Assembly
*	C577 1251	Decal - Drum Case	1
*	C577 8505	Installation Procedure	1
1	C229 1257	Door Cover	1
2	C576 1086	Door Hinge	2
3	C576 1091	Magnet Catch Plate	1
4	A659 1272	Door Catch	1
5	C576 1092	Magnet Catch	1
6	AG07 1009	Rotary Catch	1
7	C546 2080	Rear Cap	1
8	C576 1093	Caster	2
9	C576 1094	Caster Stopper	2
10	C576 1050	Table Ass'y	1
11	C577 1000	Option Drum Case Ass'y	1
12	C576 1100	Adjusting Screw - Table	2
13	C229 9010	Key Card Bracket	1

Index No.	Part No.	Description	Q'ty Per Assembly
101	0451 4008B	Philips Tapping Screw - M4x8	
102	0452 3008B	Tapping Screw - M3x8	
103	0957 5012B	Screw With Washer - M5x12	
104	0450 4008B	Tapping Screw - 4x8	
105	0451 3006B	Tapping Screw - M3x6	

40.MPU BOARD (C229)

CAPACITOR

SYMBOL NO.	INDEX NO.	SYMBOL NO.	INDEX NO.	SYMBOL NO.	INDEX NO.	SYMBOL NO.	INDEX NO.	SYMBOL NO.	INDEX NO.	SYMBOL NO.	INDEX NO.	SYMBOL NO.	INDEX NO.
C101	144	C111	175	C121	174	C131	170	C141	143	C151	175	C161	175
C102	169	C112	145	C122	475	C132	172	C142	175	C152	175	C162	174
C103	176	C113	168	C123	175	C133	176	C143	175	C153	174	C163	175
C104	176	C114	174	C124	175	C134	144	C144	142	C154	175	C164	174
C105	174	C115	175	C125	175	C135	----	C145	174	C155	174	C165	175
C106	174	C116	175	C126	174	C136	----	C146	175	C156	175	C166	175
C107	175	C117	145	C127	174	C137	----	C147	176	C157	175	C167	175
C108	175	C118	174	C128	175	C138	176	C148	174	C158	175	C168	174
C109	167	C119	175	C129	176	C139	142	C149	175	C159	174	C169	176
C110	174	C120	175	C130	175	C140	175	C150	175	C160	175	C170	175

CAPACITOR

SYMBOL NO.	INDEX NO.	SYMBOL NO.	INDEX NO.	SYMBOL NO.	INDEX NO.	SYMBOL NO.	INDEX NO.	SYMBOL NO.	INDEX NO.	SYMBOL NO.	INDEX NO.	SYMBOL NO.	INDEX NO.
C171	175	C181	175	C191	176	C201	----	C211	----	C221	171	C321	171
C172	174	C182	175	C192	174	C202	175	C212	----	C222	171		
C173	174	C183	175	C193	175	C203	175	C213	173	C223	171		
C174	175	C184	174	C194	175	C204	176	C214	173	C224	171		
C175	174	C185	175	C195	175	C205	176	C215	173	C225	171		
C176	174	C186	176	C196	175	C206	174	C216	173	C226	171		
C177	175	C187	174	C197	175	C207	175	C217	173	C227	171		
C178	174	C188	----	C198	176	C208	175	C218	173	C228	171		
C179	175	C189	175	C199	175	C209	175	C219	173	C229	171		
C180	174	C190	----	C200	175	C210	175	C220	173	C230	171		

40.MPU BOARD (C229)

CONNECTOR

SYMBOL NO.	INDEX NO.
CN100	117
CN101	105
CN102	114
CN103	102
CN104	104
CN105	106
CN108	108
CN110	111
CN111	103
CN112	109

SYMBOL NO.	INDEX NO.
CN113	107
CN114	110
CN115	106
CN116	112
CN130	101
CN131	115
CN132	109
CN141	113
CN142	116

FIB

SYMBOL NO.	INDEX NO.
FIB102	146
FIB110	147
FIB111	147
FIB112	148

IC

SYMBOL NO.	INDEX NO.
IC101	137
IC102	2
IC103	131
IC104	131
IC105	5
IC106	3
IC107	134
IC108	131
IC109	177
IC110	178

SYMBOL NO.	INDEX NO.
IC111	180
IC112	132
IC113	1
IC114	136
IC115	130
IC116	135
IC117	118
(Socket)	133
IC118	4
IC119	179
IC120	135

SYMBOL NO.	INDEX NO.
IC121	127
IC122	127
IC123	124
IC124	124
IC125	127
IC126	124
IC127	126
IC128	125
IC129	126
IC130	129

SYMBOL NO.	INDEX NO.
IC131	128
IC132	129
IC133	128

LED

SYMBOL NO.	INDEX NO.
LED101	122
LED102	123

Q

SYMBOL NO.	INDEX NO.
Q101	120

FIB

SYMBOL NO.	INDEX NO.
RAY101	141
RAY102	141
RAY103	141
RAY104	140
RAY105	140
RAY106	140
RAY107	140
RAY108	140
RAY109	140
RAY110	141

SYMBOL NO.	INDEX NO.
RAY111	141
RAY112	140
RAY113	140
RAY114	141
RAY115	141
RAY116	140
RAY117	140
RAY118	140
RAY119	140
RAY120	141

SYMBOL NO.	INDEX NO.
RAY121	141
RAY122	140
RAY123	140
RAY124	141
RAY125	141
RAY126	140
RAY127	140
RAY128	140
RAY129	140
RAY130	140

SYMBOL NO.	INDEX NO.
RAY131	141
RAY132	140
RAY133	140
RAY134	140
RAY135	140
RAY136	141
RAY137	140
RAY138	141
RAY139	140
RAY130	140

SYMBOL NO.	INDEX NO.
RAY141	140
RAY142	140
RAY143	140
RAY144	140
RAY145	140
RAY146	140
RAY147	140
RAY148	140
RAY149	140
RAY130	140

OSC

SYMBOL NO.	INDEX NO.
OSC101	139
OSC102	138

40.MPU BOARD (C229)

RAY

SYMBOL NO.	INDEX NO.
RAY151	140
RAY152	140
RAY153	140
RAY154	140
RAY155	140
RAY156	140
RAY157	140
RAY158	140
RAY159	140
RAY160	140

SYMBOL NO.	INDEX NO.
RAY161	140
RAY162	140
RAY163	140
RAY164	140
RAY165	140

RESISTOR

SYMBOL NO.	INDEX NO.
R101	151
R102	151
R103	151
R104	151
R105	151
R106	152
R107	152
R108	152
R109	152
R110	152

SYMBOL NO.	INDEX NO.
R111	152
R112	152
R113	152
R114	152
R115	151
R116	151
R117	151
R118	151
R119	159
R120	159

SYMBOL NO.	INDEX NO.
R121	159
R122	159
R123	151
R124	151
R125	151
R126	151
R127	151
R128	151
R129	151
R130	151

SYMBOL NO.	INDEX NO.
R131	---
R132	---
R133	159
R134	159
R135	159
R136	159
R137	159
R138	159
R139	159
R140	159

SYMBOL NO.	INDEX NO.
R141	159
R142	159
R143	159
R144	159
R145	151
R146	151
R147	151
R148	152
R149	152
R150	152

RESISTOR

SYMBOL NO.	INDEX NO.
R151	158
R152	155
R153	151
R154	151
R155	151
R156	151
R157	151
R158	151
R159	158
R160	155

SYMBOL NO.	INDEX NO.
R161	157
R162	161
R163	157
R164	161
R165	---
R166	---
R167	154
R168	---
R169	157
R170	154

SYMBOL NO.	INDEX NO.
R171	157
R172	152
R173	162
R174	152
R175	153
R176	162
R177	162
R178	152
R179	153
R180	153

SYMBOL NO.	INDEX NO.
R181	153
R182	153
R183	162
R184	153
R185	153
R186	153
R187	162
R188	162
R189	162
R190	151

SYMBOL NO.	INDEX NO.
R191	153
R192	160
R193	151
R194	152
R195	152
R196	152
R197	152
R198	152
R199	152
R200	152

SYMBOL NO.	INDEX NO.
R201	152
R202	152
R203	152
R204	152
R205	151
R206	151
R207	157
R208	152
R209	152
R210	152

SYMBOL NO.	INDEX NO.
R211	153
R212	151
R213	152
R214	152
R215	152
R216	152
R217	152
R218	152
R219	152
R220	152

RESISTOR

SYMBOL NO.	INDEX NO.
R221	151
R222	152
R223	152
R224	152
R225	151
R226	151
R227	151
R228	152
R229	151
R230	151

SYMBOL NO.	INDEX NO.
R231	151
R232	152
R233	151
R234	162
R235	152
R236	151
R237	162
R238	151
R239	153
R240	153

SYMBOL NO.	INDEX NO.
R241	153
R242	151
R243	152
R244	151
R245	152
R246	151
R247	152
R248	152
R249	153
R250	152

SYMBOL NO.	INDEX NO.
R251	152
R252	153
R253	157
R254	152
R255	152
R256	153
R257	153
R258	162
R259	162
R260	163

SYMBOL NO.	INDEX NO.
R261	163
R262	163
R263	163
R264	151
R265	156
R266	161
R267	157
R268	161
R269	---
R270	161

SYMBOL NO.	INDEX NO.
R271	155
R272	161
R273	157
R274	157
R275	161
R276	161
R277	161
R278	157
R279	157
R280	157

SYMBOL NO.	INDEX NO.
R281	166
R282	165
R283	157
R284	159
R285	157
R286	157
R287	157
R288	157
R289	157
R290	150

RESISTOR

SYMBOL NO.	INDEX NO.
R291	156
R292	156
R293	156
R294	156
R295	156
R296	---
R297	---
R298	---
R299	156
R300	156

SYMBOL NO.	INDEX NO.
R301	156
R302	156
R303	156
R304	156
R305	156
R306	156
R307	156
R308	156
R309	157
R310	156

SYMBOL NO.	INDEX NO.
R311	157
R312	157
R313	---
R314	164
R315	157
R316	162
R317	162
R318	149
R319	157

Swith

SYMBOL NO.	INDEX NO.
SW101	119

ZD

SYMBOL NO.	INDEX NO.
ZD101	121

40.MPU BOARD (C229)



Index No.	Part No.	Description	Q'ty Per Assembly
*	C229 5110	MPU Board	
1	A193 5520	IC - GAPD	
2	A193 5550	IC - ADIPU M66359FP	
3	C228 8030	IC - THERMAL HEAD DRIVE	
4	C229 5351	IC - UPD65640GF	
5	C229 5353	IC - GACNT TC160G33AF-147	

Index No.	Part No.	Description	Q'ty Per Assembly
101	1102 4203	CT Header - 4P	
102	1102 4208	Connector - 9P	
103	1102 4211	CT Header - 12P	
104	1102 4212	CT Header - 15P	
105	1102 4471	CT Header(h) - 15P	
106	1102 5409	Connector - 20P	
107	1102 5410	Connector - 22P	
108	1102 5411	Connector - 24P	
109	1102 5413	Connector - 28P	
110	1102 5414	Connector - 30P	
111	1102 5418	Connector - 26P	
112	1102 5420	Connector - 30P	
113	1102 7389	Connector - FH12-50S-0.5SV	
114	1102 7455	Connector FX6-60S-0.8SV2	
115	1102 7463	Connector KX14-70K8D1	
116	1102 7880	Connector - FX6-100P-0.8SV	
117	1102 7882	Connector - FX2-100S-1.27S	
118	1104 0588	Dip Socket - 28p	
119	1204 2373	Key Bord Switch - Skqdpa	
120	1400 0392	Transistor - DTC114EK	
121	1402 1206	Zener Diode	
122	1403 0828	Diode - SEC1901C	
123	1403 0829	Diode - SEC1201C	
124	1407 1600	TTLIC SN74LS244NS	
125	1407 2134	TTLIC - 74F32SJ	
126	1407 2137	IC - 74F138SJ	
127	1407 2143	TTLIC - 74F244SJ	
128	1407 2187	TTLIC - SN74LS07NS	
129	1407 2561	TTLIC - 74F157ASJ	
130	1407 4565	IC - TE6251	
131	1407 4671	Fifo M66256FP	
132	1407 4683	MPU HD6413003TF-10	
133	1407 4696	SRAM M48T58Y-70PC1	
134	1407 4734	IC - M66257FP	
135	1407 4755	ROM MBM29F800T-12pFTN	

Index No.	Part No.	Description	Q'ty Per Assembly
136	1408 0575	IC - M51957BFP	
137	1408 1226	Regulator - 3.3v-pq3tz53	
138	1503 0820	Oscillater - 29.4912MHZ	
139	1503 0821	Oscillater - 30MHZ	
140	1601 7801	Resistor Array - 10K Ω \pm 5	
141	1601 7805	Resistor Array - 33 Ω \pm 5	
142	1604 2527	Capacitor - 100uF \pm 2	
143	1604 4333	Capacitor - 100 μ F \pm 20% 10V	
144	1605 0577	Capacitor - 0.33 μ F+80-20%	
145	1606 1137	Capacitor - 5pF \pm 20%	
146	1607 0705	Noize Filter - ACF51832-470	
147	1607 0906	EMI Filter - ACF321825-101	
148	1607 0927	Filter - Acf321825-220	
149	1630 2100	Resistor - 10 Ω 1/8W \pm 5%	
150	1630 3102	Resistor - 1K Ω 1/10W \pm 5%	
151	1630 3103	Resistor - 10K Ω 1/10W \pm 5	
152	1630 3330	Resistor - 33 Ω \pm 5% 1/10	
153	1630 3332	Resistor - 3.3K Ω 1/10W \pm	
154	1630 3471	Resistor - 470 Ω - 1/10W	
155	1630 4101	Resistor - 100 Ω \pm 5% 1/1	
156	1630 4102	Resistor - 1.0K Ω \pm 5% 1/1	
157	1630 4103	Resistor - 10K Ω \pm 5% 1/16	
158	1630 4105	Resistor - 1.0M Ω \pm 5% 1/1	
159	1630 4222	Registor - 2.2k Ω - \pm 5%	
160	1630 4303	Resistor - 30K Ω \pm 5% 1/16	
161	1630 4330	Resistor - 33 Ω \pm 5% 1/8W	
162	1630 4471	Resistor - 470 Ω \pm 5% 1/1	
163	1630 4472	Resistor - 4.7K Ω \pm 5% 1/1	
164	1633 0000	Resistor - 0 Ω 1/10W	
165	1633 1002	Resistor - 10K Ω \pm 1% 1/1	
166	1633 3741	Resistor - 3.7K Ω \pm 5% 1/	
167	1644 5109	Capacitor - 1 μ F \pm 20% 25V	
168	1644 5479	Capacitor - 4.7 μ F \pm 20% 50V	
169	1644 6220	Capacitor 22 μ F \pm 20% 6.3v	

Index No.	Part No.	Description	Q'ty Per Assembly
170	1660 1100	Capacitor - 10pF 50V	
171	1660 2151	Capacitor - 150pF \pm 20% 35V	
172	1660 3150	Capacitor - 15pF 50V	
173	1660 3470	Capacitor - 47pF \pm 5% 50V	
174	1660 3471	Capacitor - 470pF 50V	
175	1660 7103	Capacitor - 10000pF +80,-20% 5	
176	1660 9104	C - 0.1 μ F25V	
177	1902 0002	IC - 64K X8 70NS G1	
178	1902 0006	IC - SRAM 256KX8 70NS G1	
179	1902 0015	SRAM 1M X8 70NS G2	
180	1904 0013	Sram - 256k X8 20ns G2	

41.I/O BOARD (C229)

CAPACITOR

SYMBOL NO.	INDEX NO.	SYMBOL NO.	INDEX NO.	SYMBOL NO.	INDEX NO.	SYMBOL NO.	INDEX NO.	SYMBOL NO.	INDEX NO.	SYMBOL NO.	INDEX NO.	SYMBOL NO.	INDEX NO.
C300	170	C310	171	C320	169	C330	177	C340	178	C350	178	C360	177
C301	170	C311	172	C321	---	C331	177	C341	174	C351	176	C361	177
C302	173	C312	177	C322	147	C332	177	C342	178	C352	178	C362	177
C303	175	C313	169	C323	148	C333	177	C343	178	C353	177	C363	177
C304	170	C314	177	C324	148	C334	177	C344	177	C354	177	C364	177
C305	173	C315	169	C325	148	C335	178	C345	178	C355	177	C365	177
C306	175	C316	---	C326	148	C336	178	C346	178	C356	178	C366	177
C307	173	C317	169	C327	147	C337	177	C347	177	C357	177	C367	177
C308	170	C318	---	C328	147	C338	178	C348	177	C358	177	C368	177
C309	172	C319	178	C329	147	C339	174	C349	178	C359	177	C369	177

CAPACITOR

SYMBOL NO.	INDEX NO.
C370	177
C371	177
C372	177

CONNECTOR

SYMBOL NO.	INDEX NO.	SYMBOL NO.	INDEX NO.
CN200	119	CN210	110
CN201	116	CN211	113
CN202	117	CN212	108
CN203	120	CN213	114
CN204	103	CN214	---
CN205	104	CN215	---
CN206	---	CN216	115
CN207	102	CN217	101
CN208	112	CN218	106
CN209	110	CN219	109

DIODE

SYMBOL NO.	INDEX NO.
D300	146
D301	146
D302	146
D303	146
D304	124
D305	124
D306	124
D307	124

FIB

SYMBOL NO.	INDEX NO.
FIB300	145
FIB301	146
FIB302	146
FIB303	146
FIB304	146

IC

SYMBOL NO.	INDEX NO.
IC300	133
IC301	129
IC302	139
IC303	140
IC304	140
IC305	142
IC306	133
IC307	133
IC308	136
IC309	129

41.I/O BOARD (C229)

IC

SYMBOL NO.	INDEX NO.
IC310	131
IC311	141
IC312	141
IC313	1
IC314	138
IC315	141
IC316	141
IC317	121
IC318	141
IC319	141

SYMBOL NO.	INDEX NO.
IC320	135
IC321	129
IC322	129
IC323	137
IC324	134
IC325	132
IC326	134
IC327	132
IC328	134
IC329	132

SYMBOL NO.	INDEX NO.
IC330	132
IC331	131
IC332	134
IC333	130
IC334	128

LED

SYMBOL NO.	INDEX NO.
LED300	127
LED301	127
LED302	127
LED303	127
LED304	127
LED305	127

OSC

SYMBOL NO.	INDEX NO.
OSC300	126

Q

SYMBOL NO.	INDEX NO.
Q301	122
Q302	123

RESISTOR

SYMBOL NO.	INDEX NO.
R300	150
R301	150
R302	150
R303	150
R304	150
R305	150
R306	150
R307	150
R308	163
R309	163

SYMBOL NO.	INDEX NO.
R310	163
R311	163
R312	----
R313	----
R314	163
R315	----
R316	----
R317	166
R318	163
R319	160

RESISTOR

SYMBOL NO.	INDEX NO.
R320	160
R321	160
R322	----
R323	149
R324	149
R325	149
R326	149
R327	166
R328	166
R329	166

SYMBOL NO.	INDEX NO.
R330	163
R331	163
R332	163
R333	152
R334	152
R335	152
R336	152
R337	155
R338	167
R339	155

SYMBOL NO.	INDEX NO.
R340	167
R341	160
R342	160
R343	155
R344	160
R345	160
R346	155
R347	163
R348	163
R349	163

SYMBOL NO.	INDEX NO.
R350	163
R351	163
R352	163
R353	163
R354	163
R355	163
R356	167
R357	167
R358	151
R359	163

SYMBOL NO.	INDEX NO.
R360	163
R361	154
R362	163
R363	163
R364	163
R365	163
R366	163
R367	163
R368	163
R369	163

SYMBOL NO.	INDEX NO.
R370	163
R371	163
R372	163
R373	163
R374	163
R375	163
R376	163
R377	163
R378	163
R379	163

SYMBOL NO.	INDEX NO.
R380	163
R381	163
R382	163
R383	163
R384	163
R385	163
R386	163
R387	154
R388	152
R389	153

41.I/O BOARD (C229)

RESISTOR

SYMBOL NO.	INDEX NO.
R390	163
R391	163
R392	163
R393	152
R394	152
R395	161
R396	----
R397	----
R398	----
R399	----

SYMBOL NO.	INDEX NO.
R400	158
R401	152
R402	----
R403	162
R404	162
R405	162
R406	162
R407	162
R408	159
R409	165

SYMBOL NO.	INDEX NO.
R410	157
R411	159
R412	159
R413	165
R414	157
R415	159
R416	152
R417	156
R418	155
R419	151

SYMBOL NO.	INDEX NO.
R420	165
R421	158
R422	152
R423	----
R424	168
R425	152
R426	163
R427	164
R428	163
R429	163

SYMBOL NO.	INDEX NO.
R430	152
R431	152
R432	163
R433	163
R434	163
R435	----
R436	----
R437	----
R438	163
R439	163

SYMBOL NO.	INDEX NO.
R440	163
R441	163
R442	163
R443	163
R444	163
R445	163
R446	163

VR

SYMBOL NO.	INDEX NO.
VR300	179
VR301	179
VR302	179
VR303	144
VR304	144
VR305	144
VR306	144

ZD

SYMBOL NO.	INDEX NO.
ZD300	126

41.I/O BOARD (C229)

Index No.	Part No.	Description	Q'ty Per Assembly
*	C229 5120	I/O Control Board	
1	C229 5352	C MPU HD6433292A53F	

Index No.	Part No.	Description	Q'ty Per Assembly
101	1102 4201	CT Header - 2PIN	
102	1102 4202	Connector - 3P	
103	1102 4203	CT Header - 4P	
104	1102 4204	CT Header - 5PIN	
105	1102 4205	CT Header- 6p	
106	1102 4207	Connector - 8P	
107	1102 4210	Connector - 11P	
108	1102 4211	CT Header - 12P	
109	1102 4212	CT Header - 15P	
110	1102 4684	Connector - 5566-06R-210	
111	1102 5003	Fiber Connector - Dc1002 -	
112	1102 5305	Connector - 6P	
113	1102 5410	CT Connector - 22P	
114	1102 5413	Connector - 28P	
115	1102 5414	Connector - 30P	
116	1102 6594	Connector - 10P	
117	1102 6595	Connector - 11P	
118	1102 7036	Connector - 30P	
119	1102 7883	Connector - FX2CA2-100P-1.	
120	1103 1422	Connector - HIF3F-20PA-2.54DSA	
121	1104 0588	Dip Socket - 28p	
122	1400 0455	Transistor - 2SC2873Y	
123	1400 0720	Transistor - DTC143ZSA	
124	1401 0835	Diode - 1SS190	
125	1402 0780	Diode - 200v - 1A - 11ES2	
126	1402 1206	Zener Diode	
127	1403 0829	Diode - SEC1201C	
128	1407 1535	IC - TD62308AP	
129	1407 1600	TTLIC SN74LS244NS	
130	1407 1605	TTLIC SN74LS157NS	
131	1407 1746	TTL - SN74LS240NS	
132	1407 2187	TTLIC - SN74LS07NS	
133	1407 2219	IC - TD62003AP	
134	1407 2247	TTL SN74LS164NS	
135	1407 2261	IC - NJM2902M	

Index No.	Part No.	Description	Q'ty Per Assembly
136	1407 4315	IC - TE7751	
137	1408 0595	IC - NJM2904M	
138	1408 0611	IC - 3771	
139	1408 0827	IC - TA8429H	
140	1408 1121	IC - STK6713BMK4	
141	1408 1204	IC - TA8083P	
142	1408 1225	IC - STK672-040	
143	1503 0572	Oscillater - 14.7456mhz	
144	1601 8186	Variable Resistor - 200K OH	
145	1602 0987	Capacitor & Coil - 270pF 10	
146	1602 7011	Capacitor - 270pF ±20% 50V	
147	1606 1985	Capacitor - 0.033μF±5% 50	
148	1606 1986	Capacitor - 0.1μF±5% 16V	
149	1610 1234	Resistor - 47Ω 1W	
150	1630 2221	Resistor - 220 Ω	
151	1630 3102	Resistor - 1KΩ 1/10W ±5%	
152	1630 3103	Resistor - 10KΩ 1/10W ±5	
153	1630 3105	Resistor - 1M Ω ±5% 1/10	
154	1630 3121	Resistor - 120 Ω ±5% 1/1	
155	1630 3151	Resistor - 150 Ω ±5% 1/1	
156	1630 3152	Resistor - 1.5kΩ - 1/10W	
157	1630 3221	Resistor - 220 Ω ±5% 1/1	
158	1630 3243	Resistor - 24KΩ ±5% 1/10	
159	1630 3331	Resistor - 330 Ω ±5% 1/1	
160	1630 3332	Resistor - 3.3KΩ 1/10W ±	
161	1630 3392	Resistor - 3.9kΩ - 1/10W	
162	1630 3471	Resistor - 470Ω - 1/10W	
163	1630 3472	Resistor - 4.7KΩ 1/10W ±	
164	1630 3562	Resistor - 5.6K Ω +5% 1/1	
165	1630 3682	Resistor - 6.8kΩ - 1/10W	
166	1630 3683	Resistor - 68KΩ ±5% 1/10	
167	1630 3824	Resistor - 820KΩ ±5% 1/1	
168	1633 0000	Resistor - 0 Ω 1/10W	
169	1640 5100	Capacitor - 10uF ±20	

Index No.	Part No.	Description	Q'ty Per Assembly
170	1640 5101	Capacitor - 100μF±20% 50V	
171	1642 0101	Capacitor - 100μF±20% 50V	
172	1642 2100	Capacitor - 10μF±20% 25V	
173	1643 0100	Capacitor - 10μF±20% 10V	
174	1660 2220	Capacitor - 22pF ±20% 35V	
175	1660 2221	Capacitor - 220pF +80-20% 5	
176	1660 2471	Capacitor - 470pF - ±5% -	
177	1660 7103	Capacitor - 10000pF +80 -20% 5	
178	1660 7104	Capacitor - 100000pF +80 -20%	

42.DECAL AND DOCUMENT (C229)

1

7

8

9

2

10

3

4

5

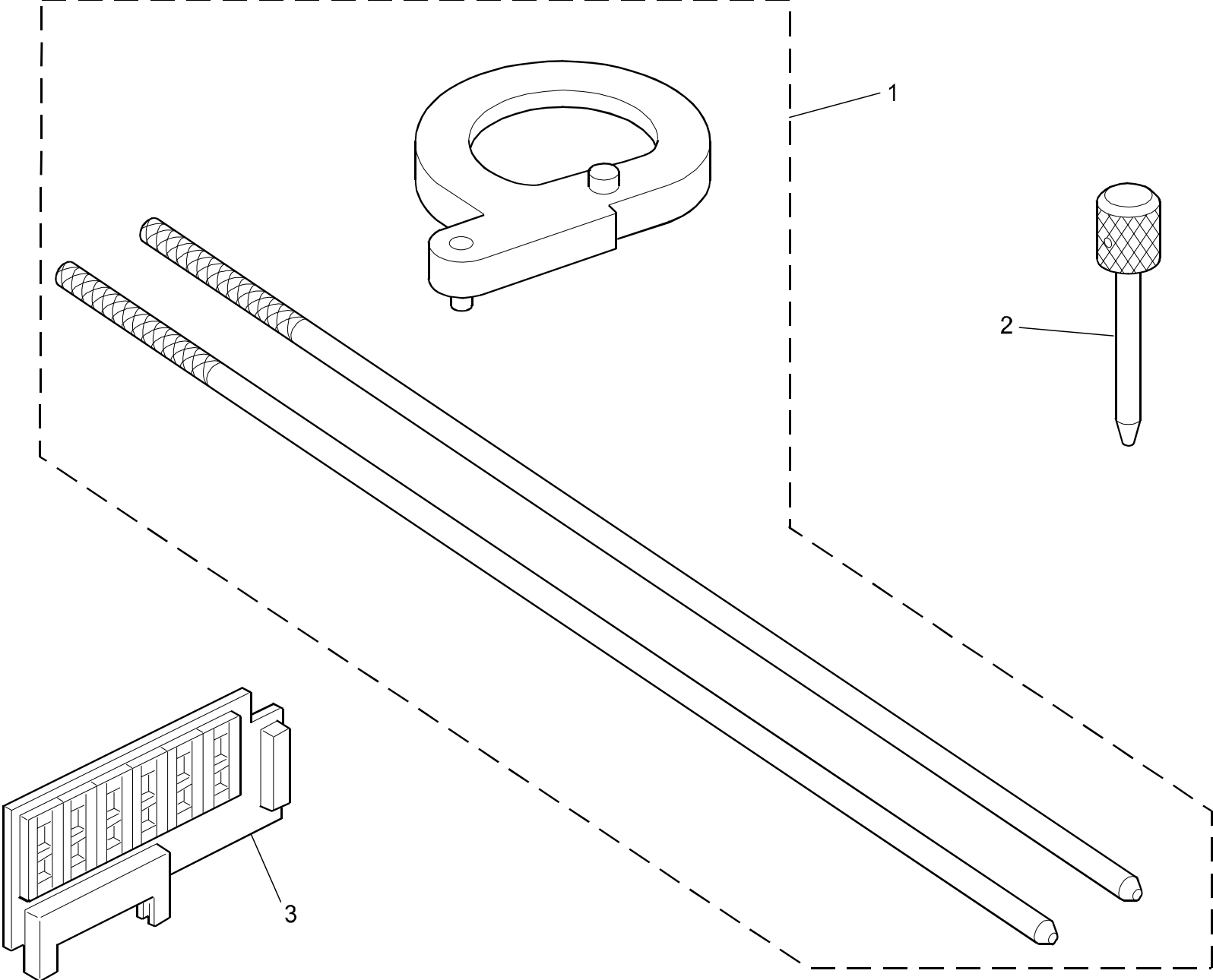
6

42.DECAL AND DOCUMENT (C229)


Index No.	Part No.	Description	Q'ty Per Assembly
1	C229 1350	Operation Sheet	1
2	C229 2951	Decal - Paper Size	1
3	C229 3528	Decal - Maser Eject Box	1
4	C229 3529	Decal - Delicvery Table Slid	1
5	C229 8607	Operating Instructions - English NA	1
5	C229 8608	Operating Instructions - English NA (RIC)	1
5	C229 8697	Operating Instructions - English NA (OEM)	1
5	C229 8690	Operating Instructions - English EU (NRG)	1
6	C229 8504	Image Editing Guide	1
7	C229 1978	Decal - Master Remuval	1
8	C229 2399	Decal - Drum Operation	1
9	C229 2138	Decal - Master Set	1
10	C229 1356	Decal - Pressure Cylinder	1

Index No.	Part No.	Description	Q'ty Per Assembly

43.SPECIAL TOOLS (C229)



43.SPECIAL TOOLS (C229)

Index No.	Part No.	Description	Q'ty Per Assembly
1	C229 9000	Drive Adjustment Tool Kit	1
2	A006 9104	Scanner Positioning Pin	1
3	A193 9351	Ram Board 2	1
			

Index No.	Part No.	Description	Q'ty Per Assembly

PARTS INDEX

PM Parts Index

Section Name	Part No.	Description in Service Manual	Description in Parts Catalog	Q'ty Per Assembly	Page and Index No
PLOTTER UNIT 3 (C229)	C229 2080	Platen Roller	Platen Roller Ass'y	1	73- 8
PAPER FEED SECTION 3 (C229)	C229 2835	Paper Feed Roller	Paper Feed Roller Ass'y	2	33- 27
PAPER FEED SECTION 4 (C229)	C229 2885	Friction Pad	Separation Pad Ass'y	1	35- 15
PAPER EXIT SECTION 2 (C229)	C229 3874	Paper Delivery Transport Belts	Transport Belt	3	47- 3
DRUM UNIT 2 (C229)	C229 2316	Cloth Screen	Tetron Screen	1	57- 5
PRESSUER CYLINDER 1 (C229)	C229 3001	Pressure Cylinder	Pressure Unit	1	39- 10
PRESSUER CYLINDER 1 (C229)	C229 3002	Paper Clamper(on Pressure Cylinder)	Pressure Drum Clamper Ass'y	1	39- 5

Part No.	Description	Page and Index No.
C229 1028	Pressure Cylinder Drive Shaft	23- 15
C229 1070	Grip Plate - Long	19- 3
C229 1071	Grip Plate - Short	19- 6
C229 1072	Grip Guide Bracket	19- 4
C229 1073	Right Grip Cover - Rear	19- 23
C229 1075	Left Stay	43- 20
C229 1077	Right Lower Stay - Scanner	19- 20
C229 1078	Harness Cover	19- 15
C229 1082	Front Guide Shaft	43- 10
C229 1083	Rear Guide Shaft	43- 25
C229 1090	Drum Drive Shaft	23- 12
C229 1092	Timing Pulley - Drum Drive	25- 12
C229 1093	Timing Pulley Bracket	25- 28
C229 1094	Timing Pulley - Pressure Cylinder	25- 9
C229 1096	Stand M28	19- 2
C229 1101	Gear Bracket	23- 10
C229 1102	Timing Pulley - Main Motor	23- 28
C229 1105	Main Motor Bracket	23- 29
C229 1121	Relay Gear Shaft	25- 26
C229 1123	Left Image Shaft Support Plate	25- 13
C229 1124	Sector Gear - Image Shift	25- 15
C229 1126	Sensor Acuator	25- 16
C229 1127	Right Support Plate	25- 8
C229 1128	Drive Support Bracket	25- 3
C229 1130	Relay Gear Ass'y	25- 14
C229 1136	Timing Pulley - Job Separator	43- 29
C229 1137	Drive Relay Gear	43- 38
C229 1138	Drive Shaft	43- 37
C229 1139	Timing Belt - S2M190	43- 26
C229 1140	Feed Roller Drive Gear	23- 8
C229 1142	Timing Belt - S5M780	25- 11
C229 1143	Tension Spring	23- 20
C229 1143	Tension Spring	25- 7
C229 1145	Belt Tension Roller	25- 27
C229 1145	Belt Tension Roller	23- 17

Part No.	Description	Page and Index No
C229 1147	Motor Gear	23- 27
C229 1148	Belt Tightner	23- 22
C229 1151	Gear Pulley	23- 24
C229 1154	Timin Belt	23- 25
C229 1155	Driven Shaft Gear	43- 40
C229 1156	Middle Stay Shaft	43- 19
C229 1157	Tension Bracket	23- 18
C229 1157	Belt Tension Bracket	25- 4
C229 1160	Dial Adjuster	43- 4
C229 1161	Dial Drive Pulley - 20Z	43- 3
C229 1162	Pulley Spacer	43- 2
C229 1163	Timing Belt - S3M118Z	43- 1
C229 1164	Dial Bracket	43- 9
C229 1167	Dial Driven Pulley	43- 8
C229 1170	Dial Cover	43- 7
C229 1173	Dial Spring	23- 23
C229 1174	Image Shift Motor Bracket	25- 18
C229 1175	Worm Wheel	25- 20
C229 1176	Worm Gear	25- 24
C229 1177	Image Position Sensor Actuator	25- 25
C229 1177	Shift Sensor Encrder	59- 41
C229 1178	Sensor Bracket	25- 22
C229 1179	Image Shift Drive Shaft	25- 21
C229 1180	Harness Guide	23- 26
C229 1182	Tension Holder	23- 19
C229 1187	Timing Belt - Pressure Cylinder Drive	25- 10
C229 1191	Drum Guide Ring	23- 11
C229 1192	Drum Guide Pin	23- 16
C229 1198	Lower Timing Pulley - Cylinder Drive	23- 7
C229 1254	Cushion - Front Door	11- 5
C229 1255	Upper Door Cover	11- 2
C229 1257	Door Cover	87- 1
C229 1257	Front Door	11- 1
C229 1258	Door Support Plate	11- 4
C229 1259	Door Catch Bracket	11- 9

Part No.	Description	Page and Index No.
C229 1260	Door Hinge Ass'y	11- 6
C229 1264	Safety Switch Bracket	11- 3
C229 1265	Operation Panel Lower Cover	13- 5
C229 1266	Front Right Cover	11- 20
C229 1270	Rear Right Cover	11- 19
C229 1272	Left Cover Bracket	21- 2
C229 1276	Left Cover	11- 11
C229 1280	Rear Cover	11- 16
C229 1281	Upper Left Cover Bracket	83- 16
C229 1282	ROM Guide	11- 15
C229 1287	Inner Cover	13- 4
C229 1288	Knob Cover - Cylinder Cleaning	13- 2
C229 1289	Small Cap	13- 1
C229 1290	Upper Right Support Plate	21- 15
C229 1291	Support Plate - Right Lower	29- 1
C229 1292	Exit Guide Plate Ass'y	45- 12
C229 1295	Rear Upper Cover	11- 13
C229 1296	Scanner Right Cover	11- 18
C229 1297	Scanner Left Cover	11- 12
C229 1309	Upper Door Cover (OEM)	11- 2
C229 1341	Model Name Plate (GES/SVN)	11- 10
C229 1342	Model Name Plate (NRG)	11- 10
C229 1343	Model Name Plate (NRG)	11- 10
C229 1344	Model Name Plate (GES/SVN)	11- 10
C229 1350	Operation Sheet	11- 7
C229 1350	Operation Sheet	97- 1
C229 1356	Decal - Cylinder Operation	13- 3
C229 1356	Decal - Pressure Cylinder	97- 10
C229 1456	Operation Panel Ass'y - LT	13- 6
C229 1457	Operation Panel Ass'y - A4	13- 6
C229 1458	Operation Panel Ass'y - Asis	13- 6
C229 1472	Cover Behind	15- 4
C229 1473	Operation Panel Lower Case	15- 1
C229 1474	LED Display	15- 7
C229 1480	Key-top Start	15- 15

Part No.	Description	Page and Index No.
C229 1481	Key-tp Stop	15- 16
C229 1482	Key-top Start	15- 14
C229 1483	Key-top Proof	15- 13
C229 1484	Key-top 10 Key	15- 9
C229 1485	Key-top Auto Cycle	15- 12
C229 1486	Key-top Clear Modes	15- 11
C229 1487	Key-top Program	15- 10
C229 1488	Key-top Initialis	15- 6
C229 1489	Key-top Display Monitor	15- 8
C229 1490	Key-top Behind	15- 5
C229 1508	LCD Spacer	15- 19
C229 1509	Preventfence Sheet	15- 17
C229 1512	On Line Sheet - LT	15- 2
C229 1513	Sheet Behind - LT	15- 3
C229 1515	On Line Sheet - A4	15- 2
C229 1516	Sheet Behind - A4	15- 3
C229 1951	Front Side Plate	75- 28
C229 1961	Rear Side Plate	75- 18
C229 1976	Front Stopper	69- 13
C229 1977	Plotter Cover - Front	69- 29
C229 1978	Decal - Master Removal	97- 7
C229 1978	Decal - Master Removal	69- 26
C229 1979	Stay - Plotter Cover	69- 21
C229 1981	Rear Stopper	69- 14
C229 1982	Rear Cover	69- 16
C229 1985	Master Unit Stay	71- 5
C229 1993	Silde Rail Spacer	73- 3
C229 1994	Middle Rail Stopper	75- 27
C229 1994	Middle Rail Stopper Ass'y	73- 1
C229 1995	Slide Rail Ass'y	75- 22
C229 1995	Slide Rail	73- 2
C229 1998	Rear Rail Spacer	75- 23
C229 2002	Upper Tension Roller	73- 10
C229 2003	Lower Tension Roller	73- 11
C229 2004	Pressuer Spring	73- 4

Part No.	Description	Page and Index No.
C229 2008	Upper Inverter Roller	73- 12
C229 2009	Lower Reverse Roller	75- 11
C229 2010	Pressure Spring	73- 32
C229 2014	Tolquimmiter Gear	73- 15
C229 2016	Stepped Screw	73- 14
C229 2017	Bushing	73- 13
C229 2018	Timing Belt - Reverse Roller	73- 16
C229 2021	Motor Pulley	75- 16
C229 2022	Idle Gear - Platen Roller	75- 14
C229 2025	Gear - 23Z	73- 7
C229 2026	Gear - 15Z	75- 15
C229 2028	Maser Roll Pulley	69- 15
C229 2032	Left Guide Mylar	71- 26
C229 2035	Rear Lower Guide Plate	71- 4
C229 2036	Rear Upper Guide Plate	71- 2
C229 2037	Lower Guide Mylar	71- 3
C229 2042	Release Guide Plate	75- 10
C229 2047	Right Reverse Roller Guide	75- 9
C229 2052	Release Guide Arm	75- 33
C229 2057	Upper Link Arm	75- 34
C229 2058	Lower Guide Link	75- 32
C229 2064	Lower Duct Cover	75- 2
C229 2065	Right Guide Plate	75- 25
C229 2068	Lower Duct Case	75- 1
C229 2073	Upper Duct Cover	75- 5
C229 2078	Guard - Duct	75- 4
C229 2080	Platen Roller Ass'y	73- 8
C229 2082	Platen Roller Gear	73- 31
C229 2085	Thermal Head Base	73- 23
C229 2087	Thermal Head Stay	73- 26
C229 2094	Spring Plate	73- 27
C229 2095	Thermal Head Spring	73- 24
C229 2096	Front Release Arm	73- 29
C229 2097	Rear Release Arm	73- 25
C229 2102	Gear - 26Z	77- 4

Part No.	Description	Page and Index No.
C229 2102	Drive Gear - 26Z	71- 13
C229 2103	Worm Gear	71- 21
C229 2104	Idle Gear	71- 20
C229 2105	Actuator Gear	71- 19
C229 2109	Motor Bracket	71- 17
C229 2112	Release Cam	71- 11
C229 2113	Release Roller	71- 10
C229 2119	Left Guide Plate - Thermal Head	73- 21
C229 2120	Thermal Head Spacer	73- 22
C229 2121	Right Guide Plate - Thermal Head	73- 18
C229 2122	Right Roller Guide	73- 19
C229 2132	Plotter Cover	69- 19
C229 2135	Lower Master Guide	71- 23
C229 2138	Decal - Master Set	97- 9
C229 2138	Decal - Master Set	69- 5
C229 2139	Lower Master Cover	71- 24
C229 2142	Decal - Master Position	71- 27
C229 2145	Master Roller Bracket	69- 4
C229 2148	Left Arm - Master Feed Roller	69- 3
C229 2149	Right Arm - Master Feed Roller	69- 6
C229 2150	Maser Feed Roller Stay	69- 11
C229 2157	Master Feed Roller	69- 12
C229 2158	Maser Feed Roller Knob	69- 10
C229 2159	Pressure Spring	69- 1
C229 2160	Release Spring	69- 8
C229 2161	Master Feed Roller Gear	69- 9
C229 2165	Front Positioning Pin	69- 28
C229 2170	Positioning Pin	69- 17
C229 2183	Master Flange Sheet	69- 30
C229 2187	Bracket Hinge Pin	69- 27
C229 2188	Front Master Stay	69- 24
C229 2189	Master Flange Spring	71- 1
C229 2191	Master Pressure Spring	69- 23
C229 2193	Front Bracket - Master Flange	69- 25
C229 2196	Rear Master Flange	69- 18

Part No.	Description	Page and Index No.
C229 2197	Front Master Flange	69- 22
C229 2209	Cutter Uint Ass'y	71- 9
C229 2215	Solenoid Cover	75- 30
C229 2221	Master Feed Motor Bracket	75- 20
C229 2222	Timing Belt - Master Feed Motor	75- 17
C229 2239	Master Sensor Cover	71- 7
C229 2240	Bracket - Master Sensor	71- 6
C229 2248	Left Grounding Plate	75- 7
C229 2249	Grounding Plate	73- 30
C229 2251	Position Sensor Bracket	71- 25
C229 2254	Harness Cover	75- 13
C229 2255	Plotter Bottom Plate	75- 26
C229 2260	Plotter Connector Bracket	35- 5
C229 2261	Connector Plate	35- 4
C229 2262	Plotter Connector Bracket Cover	35- 3
C229 2263	Master Sensor Bracket	35- 2
C229 2264	Rear Stopper - Plotter	19- 22
C229 2267	Lock Holder	35- 7
C229 2271	H.P Sensor Bralcet	71- 15
C229 2273	Rear Harness Cover	71- 14
C229 2275	Plotter Rail	19- 5
C229 2276	Middle Plotter Rail	19- 21
C229 2277	Plotter Rail Bracket	19- 1
C229 2279	Tension Bracket	21- 16
C229 2281	Master Tension Roller	21- 13
C229 2313	Drum Rail Ass'y	55- 27
C229 2314	Master Clamper Ass'y	57- 21
C229 2315	Oil Supply Roller Ass'y	63- 26
C229 2316	Tetron Screen	57- 5
C229 2351	Front Side Plate	55- 11
C229 2357	Switch Lever Knob	55- 6
C229 2359	Connector Slider	55- 10
C229 2360	Connector Bracket	55- 9
C229 2362	Drum Release Grip	55- 17
C229 2364	Front Inner Cover	55- 1

Part No.	Description	Page and Index No
C229 2365	Switch Lever bracket	55- 7
C229 2367	Switch Lever	55- 4
C229 2369	Bearing Shaft	61- 9
C229 2371	Bearing Shaft - Lower Left	61- 14
C229 2374	Front Magnet Catch	55- 16
C229 2377	Magnet Catch Bracket	55- 13
C229 2379	Drum Guide Disk	57- 15
C229 2385	Grip Rail	55- 20
C229 2394	Spring Plate	55- 28
C229 2396	Spring Plate	55- 22
C229 2399	Decal - Drum Operation	55- 21
C229 2399	Decal - Drum Operation	97- 8
C229 2402	Metal Screen Ass'y - DLT	57- 8
C229 2405	Drum Stopper Arm	55- 18
C229 2406	Drum Lock Spring	55- 19
C229 2413	Stepped Screw - Drum Lock	55- 24
C229 2419	Rear Drum Disk	57- 10
C229 2420	Front Outer Flange	57- 1
C229 2422	Rear Outer Flange	57- 14
C229 2423	Fixing Plate	57- 12
C229 2424	Plate Nut	57- 13
C229 2428	Slider	57- 9
C229 2431	Drum Positioning Pin	57- 11
C229 2434	Switch Acuator	57- 25
C229 2435	Drive Gear - 50Z	57- 24
C229 2438	Drum Shaft	57- 17
C229 2440	Rear Drum Frame	55- 25
C229 2442	Rear Drum Flange	57- 16
C229 2449	Metal Screen Ass'y - A3	57- 8
C229 2450	Front Side Plate - Doctor Roller	63- 18
C229 2451	Ink Roller	63- 16
C229 2456	Gear - 16Z	63- 22
C229 2458	Doctor Roller	63- 19
C229 2459	Gear - 37Z	63- 4
C229 2460	Middle Drive Gear	63- 15

Part No.	Description	Page and Index No.
C229 2461	Front Side Plate	63- 24
C229 2462	Rear Side Plate	63- 25
C229 2466	Rear Side Plate - Doctor Roller	63- 20
C229 2470	Front Ink Blade	63- 1
C229 2471	Rear Ink Blade	63- 23
C229 2472	Grounding Plate	63- 21
C229 2473	Adjusting Plate - Doctor Roller	63- 5
C229 2476	Metal Screen Seal - A3	57- 4
C229 2478	Gear - 19Z	63- 3
C229 2479	Support Stay	63- 13
C229 2486	Ink Holder	59- 6
C229 2487	Ink Holder Knob	59- 7
C229 2488	Ink Holder Slider	59- 5
C229 2490	Ink Bottle Bracket	61- 4
C229 2491	Ink Sensor Bracket	61- 7
C229 2492	Ink Sensor Terminal	61- 8
C229 2493	Right Ink Holder	59- 2
C229 2494	Left Slide Rail	61- 10
C229 2495	Right Slide Rail	61- 11
C229 2496	Right Guide - Slide Rail	59- 1
C229 2498	Ink Cartridge Cover	59- 9
C229 2499	Left Guide - Slide Rail	59- 4
C229 2500	Left Ink Holder	59- 3
C229 2501	Ink Supply Unit	59- 29
C229 2502	Ink Pump Ass'y	59- 44
C229 2509	Ink Supply Pump	59- 11
C229 2510	Pump CAP	59- 16
C229 2511	Pump Shaft	59- 18
C229 2514	O-ring P9	59- 8
C229 2515	O-ring P10	59- 10
C229 2516	O-ring P14	59- 12
C229 2517	O-ring P16	59- 17
C229 2518	Pump Shaft Holder	59- 20
C229 2519	Pump Shaft Guide	59- 19
C229 2520	Pump Drive Bracket	59- 21

Part No.	Description	Page and Index No.
C229 2525	Bushing - Pump drive Gear	59- 25
C229 2526	Large Drive Gear	59- 26
C229 2527	Pump Gear	59- 24
C229 2528	Worm Gear	59- 23
C229 2530	Ink Pump Sensor Bracket	59- 31
C229 2531	Pump Shaft Bushing	59- 22
C229 2532	Pump Case	59- 15
C229 2534	Distributor Bracket	61- 17
C229 2535	Ink Distributor	61- 18
C229 2537	Pump Motor Cover	59- 27
C229 2538	Ink Tube	61- 20
C229 2542	Harness Cover	61- 16
C229 2543	Front Shield - Metal Screen - A3/DLT	57- 7
C229 2545	Idling Roller Ass'y	63- 14
C229 2547	Rear Shield - Metal Screen - A3/DLT	57- 6
C229 2550	Sensor Actuator	63- 7
C229 2552	Idling Roller Arm - Front	63- 9
C229 2555	Idling Roller Arm - Rear	63- 17
C229 2557	Ink Supply Roller Arm	63- 8
C229 2558	Motor Bracket	61- 2
C229 2561	Stepped Screw	63- 6
C229 2562	Idling Roller Arm Shaft	63- 10
C229 2563	Sensor Bracket	61- 12
C229 2564	Press Roller Spring	63- 12
C229 2565	Reverse Gear	63- 11
C229 2571	Shift Motor Bracket	59- 40
C229 2580	Slide Fixed Plate	59- 33
C229 2581	Drum H.P Sensor Bracket	59- 35
C229 2582	Drum Shift Sensor Bracket	59- 39
C229 2583	Slider	59- 34
C229 2589	Drum Shift Cover	59- 38
C229 2590	Shift Motor Cover	59- 43
C229 2591	Drum Clamper Base	57- 23
C229 2594	Rear Screen Clamper	57- 2
C229 2595	Clamper Fixed Plate	57- 20

Part No.	Description	Page and Index No.
C229 2596	Front Screen Clamper	57- 3
C229 2601	Front Stepped Screw	57- 22
C229 2603	Spring	57- 19
C229 2605	Clamper Seal	57- 26
C229 2608	Drum Release Gear	55- 26
C229 2609	Spring Plate	59- 32
C229 2611	Drum Rail Stay	19- 18
C229 2615	Slide Rail Roller	19- 17
C229 2616	Right Drum Lock Pin	21- 12
C229 2619	Left Drum Lock Pin	21- 10
C229 2621	Spring Plate	43- 31
C229 2624	Worm Gear	59- 37
C229 2624	Shift Drive Gear	59- 36
C229 2625	Drum Position Plate	21- 11
C229 2626	Drum Position Plate - Small	21- 20
C229 2631	Limit Sensor Bracket	43- 33
C229 2633	Stepped Screw	35- 25
C229 2671	Metal Screen Seal - DLT	57- 4
C229 2672	Small Shield - Metal Screen (DLT)	57- 27
C229 2744	Paper Table Ass'y	29- 29
C229 2751	Right Side Plate	31- 33
C229 2754	Left Side Plate	31- 6
C229 2755	Lift Up Rack - Paper Table	31- 1
C229 2756	Upper Stay	31- 8
C229 2757	Paper Table Lower Stay	31- 19
C229 2761	Cusion	31- 7
C229 2763	Lower Shield Plate	13- 17
C229 2764	Lower Shield Plate A	13- 15
C229 2765	Lower Shield Plate B	13- 16
C229 2766	Upper Shield Plate	13- 14
C229 2769	Side Fence Pad Ass'y	29- 11
C229 2771	Side Fence Pad	29- 12
C229 2773	Paper Table	29- 18
C229 2774	Paper Table Cover	29- 3
C229 2775	Right Stay - Paper Table	31- 28

Part No.	Description	Page and Index No
C229 2776	Left Stay - Paper Table	31- 18
C229 2780	Side Fence Rack - right	29- 25
C229 2781	Side Fence Rack	29- 19
C229 2786	Right Slider	29- 16
C229 2791	Right Side Fence	29- 15
C229 2793	Side Fence Stopper	29- 7
C229 2794	Tension Spring Plate	29- 21
C229 2796	Left Slider	29- 6
C229 2802	Left Side Fence	29- 14
C229 2804	Side Fence Knob	29- 5
C229 2805	Paper Table Ass'y	31- 34
C229 2807	Paper Table - Fix	31- 29
C229 2810	Paper Set Sensor Bracket	31- 27
C229 2814	Right Adjusting Plate	31- 25
C229 2815	Left Adjusting Plate	31- 24
C229 2816	Pressuer Release Arm - Right	31- 23
C229 2817	Pressuer Release Arm - Left	31- 22
C229 2820	Pressuer Release Plate	31- 21
C229 2823	Table Lift Shaft	31- 20
C229 2824	Gear - 20Z	31- 3
C229 2825	Paper Feed Roller Cover	31- 10
C229 2826	Spring Anchor - Right	31- 31
C229 2827	Spring Anchor - Left	31- 2
C229 2828	Lift Up Spring - Paper Tray	29- 2
C229 2829	Lift Up Shaft	31- 4
C229 2833	Paper Feed Arm	33- 30
C229 2834	Balancer Arm	33- 24
C229 2835	Paper Feed Roller Ass'y	33- 27
C229 2836	Paper Feed Roller	33- 28
C229 2837	Paper Feed Roller - Center	33- 29
C229 2838	Pick-up Roller Shaft	33- 20
C229 2839	Paper Feed Roller Shaft	33- 19
C229 2840	Pad	31- 14
C229 2845	Paper Feed Guide Plate	33- 3
C229 2850	Paper Feed Stay	33- 22

Part No.	Description	Page and Index No.
C229 2856	Worm Wheel Gear - 14Z/40Z	33- 12
C229 2856	Worm Wheel Gear - 14Z/40Z	35- 17
C229 2857	Gear - 14Z/42Z	33- 8
C229 2857	Gear - 14Z/42Z	35- 18
C229 2858	Paper Feed Rack	33- 6
C229 2858	Separation Control Rack	35- 21
C229 2860	Spring Bracket	33- 4
C229 2861	Paper Pressuer Spring	33- 10
C229 2862	Paper Pressuer Lever	33- 11
C229 2863	Bushing	33- 9
C229 2864	Paper Sensor Feller	33- 25
C229 2866	Height Sensor Bracket	33- 21
C229 2867	Right Arm	31- 11
C229 2868	Left Arm	31- 9
C229 2871	Paper Guide Plate	35- 19
C229 2877	Paper Pressuer Lever	35- 20
C229 2878	Pressuer Spring	35- 16
C229 2879	Paper Separation Cover	35- 23
C229 2884	Separation Pressure Motor Bracket	35- 13
C229 2885	Separation Pad Ass'y	35- 15
C229 2893	Right Pressuer Arm	37- 12
C229 2894	Left Pressuer Arm	37- 10
C229 2898	Pressure Release Lock Arm - Right	37- 13
C229 2899	Pressure Release Lock Arm - Left	37- 9
C229 2900	Pressure Release Shaft	37- 11
C229 2901	Pressuer Roller Spring	37- 7
C229 2904	Feed Roller - Upper	37- 8
C229 2906	Lower Registration Roller	37- 22
C229 2907	Registration Roller Pulley - 14Z	37- 25
C229 2910	Upper Feed Guide Plate	37- 18
C229 2914	Guide Plate Sheet	37- 27
C229 2915	Upper Entrance Seal	37- 26
C229 2918	Lower Feed Guide Plate	37- 20
C229 2919	Guide Plate Spacer	37- 19
C229 2921	Registration Sensor Bracket	37- 14

Part No.	Description	Page and Index No.
C229 2922	Right Bracket - Guide Plate	37- 23
C229 2923	Left Bracket - Guide Plate	37- 21
C229 2927	Pressuer Release Gear	27- 15
C229 2929	Pressuer Release Cam	27- 16
C229 2930	Guide Plate	27- 14
C229 2931	Pulley Cover	27- 13
C229 2936	Master Sensor Bracket	37- 6
C229 2939	Master Sensor Shaft	37- 3
C229 2940	Paper Guide Plate	37- 2
C229 2946	Motor Pulley	27- 18
C229 2947	Drive Pulley - Paper Separation	33- 1
C229 2948	Timing Belt - 80-XL-050	27- 21
C229 2949	Timing Belt - 75-MXL-64	33- 26
C229 2950	Feed Rooler Drive Pulley	33- 32
C229 2951	Decal - Paper Size	29- 17
C229 2951	Decal - Paper Size	97- 2
C229 2952	Spring Plate - Paper Tray	29- 26
C229 2954	Grounding Plate	29- 20
C229 2955	Ground Plate	29- 27
C229 3001	Pressure Unit	39- 10
C229 3002	Pressure Drum Clamper Ass'y	39- 5
C229 3008	Air Knife Ass'y	45- 21
C229 3090	Feed Encoder Bracket	41- 19
C229 3092	Front Encoder Flange	39- 1
C229 3093	Encoder	39- 11
C229 3094	Encoder Holder	39- 9
C229 3096	Paper Feed Acuator	39- 8
C229 3106	Clamp Shaft	39- 6
C229 3107	Clamper Cam	41- 10
C229 3110	Arm Clamper Ass'y	39- 4
C229 3125	Cam Shaft	43- 24
C229 3133	Control Plate:CAM:Drive	43- 41
C229 3135	Bushing - Cam Shaft	43- 6
C229 3143	Rack - Exchange Ass'y	43- 12
C229 3145	Worm Wheel - 50Z/16Z	47- 25

Part No.	Description	Page and Index No.
C229 3145	Worm Wheel - 50Z/16Z	43- 16
C229 3146	Gear - 80Z/16Z	43- 15
C229 3148	Bushing	43- 13
C229 3150	Job Motor Bracket	43- 43
C229 3161	Pressuer Shaft Bracket - Front	41- 3
C229 3163	Solenoid Bracket	41- 13
C229 3164	Release Shaft Arm	41- 8
C229 3165	Pressuer Release Shaft	41- 6
C229 3166	Release Spring	41- 9
C229 3181	Adjusting Cam	23- 6
C229 3182	Pressure Cylinder Gear	23- 5
C229 3183	Pressure Cylinder Sub Gear	23- 2
C229 3184	Stopper Flange	23- 4
C229 3185	Gear Adjuster	23- 1
C229 3186	Pressure Spring	23- 3
C229 3191	Joint Core	23- 13
C229 3194	Pressuer Cylinder Gear	43- 42
C229 3195	Gear Spacer	43- 34
C229 3196	Pressure Cylinder Joint	39- 7
C229 3196	Joint Flange	23- 14
C229 3205	Position Shaft	41- 17
C229 3206	Shaft Stopper	41- 1
C229 3207	Ring - M14	41- 12
C229 3220	Front Arm	41- 11
C229 3226	Pressuer Cylinder Shaft Holder	41- 14
C229 3227	Pressuer Cylinder Shaft Guide	41- 16
C229 3230	Rear Arm	41- 23
C229 3234	Encoder Guide	41- 22
C229 3270	Front Spring Bracket	41- 4
C229 3271	Rear Spring Bracket	41- 24
C229 3272	Pressuer Spring	41- 5
C229 3301	Air Knife Base	45- 2
C229 3302	Air Knife Duct	45- 1
C229 3303	Paper Exit Cover	45- 4
C229 3400	Maser Eject Roller Ass'y	79- 34

Part No.	Description	Page and Index No.
C229 3401	Maser Eject Box Ass'y	81- 27
C229 3402	Maser Eject Drive Ass'y	77- 28
C229 3450	Transport Roller	79- 35
C229 3451	Lower Transport Roller	79- 28
C229 3453	Upper Transport Roller	79- 26
C229 3454	Separation Roller	79- 27
C229 3455	Roller Stay	79- 16
C229 3456	Middle Guide	79- 25
C229 3457	Rear Upper Guide	79- 23
C229 3458	Front Upper Guide	79- 24
C229 3459	Pressure Spring	79- 7
C229 3462	Rear Side Plate	79- 18
C229 3464	Lower Stay	79- 32
C229 3465	Transport Lower Guide	79- 31
C229 3467	Sensor Bracket	79- 29
C229 3471	Roller Unit Knob	79- 9
C229 3474	Roller Unit Lock Arm	79- 11
C229 3476	Spring Plate	79- 8
C229 3478	Roller Unit Arm	79- 10
C229 3481	Callar - 6mm	79- 22
C229 3482	Pressuer Spring	79- 17
C229 3485	Upper Slide Rail	79- 12
C229 3486	Bushing - Maser Eject Roller	79- 6
C229 3487	Front Slide Plate	79- 1
C229 3488	Sensor Harness Cover	79- 33
C229 3491	Upper Case	81- 25
C229 3493	Master Press Arm	81- 17
C229 3494	Master Press Arm Shaft	81- 20
C229 3495	Master Stripper Pawl	81- 15
C229 3496	Master Stripper Pawl Holder	81- 16
C229 3497	Eject Box Guide Ass'y	81- 8
C229 3499	Eject Box Lower Stay	81- 13
C229 3501	Eject Box Slider	81- 9
C229 3502	Slide Lock Lever	81- 11
C229 3505	Upper Case Release Lever	81- 24

Part No.	Description	Page and Index No.
C229 3508	Release Spring	81- 23
C229 3509	Upper Case Bracket	81- 22
C229 3510	Maser Eject Cover	81- 5
C229 3513	Upper Case Grip	81- 21
C229 3514	Grounding Plate	81- 14
C229 3517	Lower Left Case	81- 18
C229 3518	Eject Box Upper Stay	81- 12
C229 3521	Master Eject Box Grip	81- 1
C229 3522	Stepped Screw	81- 4
C229 3522	Stepped Screw	27- 5
C229 3523	Eject Box Lock Arm	81- 6
C229 3524	Eject Box Lock Lever	81- 2
C229 3525	Release Spring	81- 3
C229 3526	Eject Box Grip Bracket	81- 7
C229 3528	Decal - Maser Eject Box	97- 3
C229 3528	Decal - Maser Eject Box	81- 26
C229 3529	Decal - Delivery Table Slid	97- 4
C229 3529	Decal - Master Eject Slider	81- 10
C229 3530	Driven Pulley - 18Z	79- 4
C229 3531	Gear/Pulley - 26Z/16T	79- 5
C229 3532	Timing Belt - S2M76	79- 3
C229 3533	Belt Tension Bracket	79- 14
C229 3536	Belt Tension Callar	79- 15
C229 3537	Transport Lower Gear - 26Z	79- 2
C229 3541	Joint Pressuer Spring	77- 3
C229 3542	3rd Gear - 22Z	77- 18
C229 3543	Mortor Bracket	77- 26
C229 3544	Gear Pulley - 18Z/60Z	77- 20
C229 3545	2nd Gear - 8Z/32Z	77- 17
C229 3547	Joint Cam	77- 2
C229 3548	Joint Shaft	77- 1
C229 3549	Joint Gear Bracket	77- 5
C229 3551	Timing Belt - S2M160	77- 19
C229 3556	Torque Limmiter	77- 24
C229 3557	Gear - 17Z	77- 23

Part No.	Description	Page and Index No
C229 3558	2nd Gear - 18Z/49Z	77- 25
C229 3559	Maser Eject Cam	77- 14
C229 3563	Motor Bracket	77- 16
C229 3564	Eject Cam Holder	77- 11
C229 3565	Maser Eject Cam Spring	77- 13
C229 3566	Bushing - 8mm	77- 12
C229 3570	Rear Side Plate	77- 21
C229 3582	Positioning Sensor Bracket	77- 10
C229 3585	Sector Gear	43- 35
C229 3586	Driven Gear	43- 36
C229 3589	Slide Rail Stopper	79- 19
C229 3590	Upper Stay	19- 16
C229 3596	Lower Guide Stay - Transfer Roller	19- 14
C229 3597	Lower Stay	19- 13
C229 3609	Master Edge Guide	79- 13
C229 3800	Transport Belt Unit	47- 28
C229 3850	Vacuum Plate	47- 6
C229 3856	Antistatic Brush	45- 13
C229 3857	Left Support Plate	45- 6
C229 3858	Right Support Plate	45- 14
C229 3860	Transport Belt Case	47- 2
C229 3871	Transport Belt Shaft	47- 27
C229 3872	Timing Pulley	47- 13
C229 3873	Transport Belt Roller	47- 26
C229 3874	Transport Belt	47- 3
C229 3875	Transport Belt Drive Shaft	47- 12
C229 3877	Center Roller - Delivery Table	47- 4
C229 3878	Knob	47- 1
C229 3890	Vacuume Fan Base	47- 20
C229 3891	Grounding Plate	47- 17
C229 3893	Grounding Plate	47- 16
C229 3900	Front Vacuum Plate	47- 5
C229 3901	Rear Vacuum Plate	47- 7
C229 3909	Vacuum Plate Guide Shaft	47- 9
C229 3911	Gear - 25Z/51Z	47- 24

Part No.	Description	Page and Index No.
C229 3912	Vacuum Plate Guide Arm	47- 8
C229 3913	Modor Bracket	47- 22
C229 3930	Gear Holder	43- 30
C229 3942	Separation Pawl	47- 10
C229 3943	Pick-off Pawl Adjuster	47- 14
C229 3944	Stepped Screw	47- 11
C229 3950	Paper Exit Guide Plate	41- 7
C229 3951	Lower Paper Exit Sensor Bracket	43- 22
C229 3961	Drive Pulley	43- 27
C229 3966	Drive Gear	43- 28
C229 3968	Paper Exit Pawl Lever	19- 12
C229 3973	Paper Exit Pawl Bracket	19- 10
C229 3975	Paper Exit Pawl Spring	19- 11
C229 3976	Lever Stoper	43- 39
C229 3977	Paper Exit Pawl Shaft	19- 9
C229 3978	Paper Exit Pawl	19- 7
C229 4001	Eject Clamper Open Arm	27- 1
C229 4050	Sector Guide Ass'y	27- 2
C229 4051	Joint Link	27- 3
C229 4052	Sector Gear	27- 6
C229 4053	Guide Pin	27- 4
C229 4054	Sector Arm	27- 8
C229 4056	Worm Gear	27- 10
C229 4057	Clamper Motor Bracket	27- 11
C229 4350	Delivery Table Stay	51- 16
C229 4354	Delivery Table	51- 19
C229 4361	Front Guide Stay	51- 6
C229 4362	Rear Guide Stay	51- 9
C229 4363	Right Guide Stay	51- 7
C229 4364	Left Guide Stay	51- 8
C229 4365	End Fence Rail	51- 1
C229 4366	Slide Delivery Table	51- 5
C229 4370	End Fence Ass'y	53- 1
C229 4372	Fixing Screw Bracket	53- 3
C229 4373	Adjust Shaft	53- 6

Part No.	Description	Page and Index No
C229 4376	End Fence Cushion	53- 5
C229 4377	End Fence Ass'y	53- 4
C229 4381	Upper End Fence Holder	53- 8
C229 4382	Lower Slider	51- 4
C229 4384	Middle End Fence Slider	51- 2
C229 4385	End Fence Grip	53- 9
C229 4385	Slide Grip	51- 18
C229 4386	End Fence Shaft	53- 7
C229 4391	Side Fence Holder	51- 12
C229 4393	Middle Slider	51- 10
C229 4394	Side Fence Lack	51- 14
C229 4395	Side Fence Lower Slider	51- 17
C229 4400	Rear Side Fence Ass'y	53- 25
C229 4401	Rear Side Fence	53- 26
C229 4402	Rear Middle Guide	53- 28
C229 4404	Rear Shaft - Exit Paper Guide	53- 30
C229 4405	Upper Exit Guide - Rear	53- 29
C229 4406	Side Fence Shaft	51- 11
C229 4407	Rear Release Arm	53- 27
C229 4410	Rear Exit Guide Plate	53- 32
C229 4411	Rear Exit Paper Guide	53- 31
C229 4421	Front Side Fence	53- 11
C229 4422	Front Middle Guide	53- 22
C229 4424	Front Release Arm	53- 21
C229 4427	Upper Exit Guide - Front	53- 23
C229 4428	Front Exit Guide Plate	53- 33
C229 4430	Front Side Fence Ass'y	53- 10
C229 4452	Side Fence Shaft	53- 16
C229 4455	Side Fence Release Spring	53- 12
C229 4457	Knob Screw	53- 13
C229 4458	Front Exit Paper Guide	53- 18
C229 4459	Exit Paper Guide Pin	53- 19
C229 4461	Front Holder - Side Fence	53- 14
C229 4470	Side Fence Rail	51- 13
C229 4473	Side Fence Gear	51- 15

Part No.	Description	Page and Index No.
C229 4480	Front Bracket - Paper Delivery Table	45- 20
C229 4485	Rear Bracket - Paper Delivery Table	45- 19
C229 4487	Knob Screw	51- 20
C229 4491	Support Bracket	45- 11
C229 4492	Front Guide	45- 10
C229 4495	Paper Guide	45- 8
C229 4496	Rear Guide	45- 9
C229 4650	Separator Lift Motor Ass'y	49- 25
C229 4671	Sensor Bracket	49- 5
C229 4673	Separator Cover	45- 17
C229 4674	Separator Cover Hinge	45- 16
C229 4675	Separator Cover Shaft	45- 15
C229 4676	Separator Cover Spring	45- 18
C229 4701	Lift Motor Bracket	49- 8
C229 4702	Lift Motor Gurd Plate	49- 1
C229 4703	Separator Slider Bracket	49- 24
C229 4708	Screw Shaft	49- 10
C229 4709	Screw Shaft Boss	49- 14
C229 4711	Timing Pulley	49- 11
C229 4712	Timing Belt	49- 7
C229 4715	Slide Drive Gear	49- 13
C229 4718	Slider Holder	49- 16
C229 4724	Harness Clamp	49- 9
C229 4725	Separator Slider	49- 17
C229 4726	Separator Arm Link	49- 19
C229 4729	Separator Arm	49- 21
C229 4730	Separator Arm Holder	49- 22
C229 4733	Arm Spring	49- 20
C229 4734	Slider Spring Plate	49- 15
C229 5110	MPU Board	91- *
C229 5110	MPU Board	83- 6
C229 5114	BLOCK DIAGRAM:IC	83- 3
C229 5120	I/O Control Board	83- 7
C229 5120	I/O Control Board	95- *
C229 5124	IC - UVEPROM 512K X8 100NS	83- 9

Part No.	Description	Page and Index No
C229 5140	Ink Detection Board	55- 15
C229 5150	Motor Control Board Ass'y	83- 14
C229 5153	Job Separator Board	49- 18
C229 5155	Paper Size Sensor Board	29- 8
C229 5157	Paper Pressure Board	33- 13
C229 5157	Paper Pressure Board	35- 14
C229 5160	Operation Panel Board	15- 20
C229 5165	LCD Display Ass'y	15- 18
C229 5181	Thermal Head - A3	73- 20
C229 5200	DC Drive Harness	83- 10
C229 5206	Paper Pressure Harness	33- 16
C229 5208	Relay Harness - Ink Sensor	35- 24
C229 5210	Relay Harness - Plotter	35- 10
C229 5212	Ink Sensor Harness	55- 8
C229 5214	Drum Harness	61- 15
C229 5216	Main Switch Harness	21- 3
C229 5216	Main Switch Harness	83- 13
C229 5220	Scanner Harness	65- 6
C229 5222	Vacuume Fan Harness	47- 19
C229 5224	Drum HP Sensor Harness	43- 32
C229 5226	Encoder Harness - Feed	41- 20
C229 5228	Relay Harness - Master Eject	77- 7
C229 5232	Encoder Harness	25- 23
C229 5232	Encoder Harness	37- 17
C229 5234	Air Knife Harness	45- 3
C229 5236	Harness - Original Size Sensor	29- 28
C229 5236	Harness - Original Size Sensor	31- 12
C229 5238	Separation Pressure Motor Harness	35- 11
C229 5240	Paper Feed Harness	37- 15
C229 5248	Plotter Harness	75- 6
C229 5254	Harness - Master Sensor	79- 20
C229 5256	Harness - Oil Supply Motor	61- 1
C229 5260	Grounding Wire	39- 2
C229 5262	Paper Pressure Harness	43- 23
C229 5269	Job Separator Harness	49- 2

Part No.	Description	Page and Index No.
C229 5270	Harness - Job Separator	49- 23
C229 5274	ADF Relay Harness	85- 19
C229 5300	DC Power Supply Unit - 115V	83- 12
C229 5310	DC Power Supply - Thermal Head (115V)	83- 17
C229 5320	DC Power Supply Unit - 230V	83- 12
C229 5330	DC Power Supply - Thermal Head (230V)	83- 17
C229 5351	IC - UPD65640GF	91- 4
C229 5352	C MPU HD6433292A53F	95- 1
C229 5353	IC - GACNT TC160G33AF-147	91- 5
C229 5611	Power Supply Cord Bracket	85- 17
C229 5613	Power Supply Cord Cover	85- 14
C229 5614	Total Counter Bracket	21- 17
C229 5615	Power Supply Unit Bracket	85- 11
C229 5616	MPU Bracket	83- 4
C229 5617	Lower Ground Plate - PCB	85- 13
C229 5618	Upper Hinge	83- 2
C229 5619	Lower Bracket - MPU Board	85- 15
C229 5621	PSU Cover	83- 11
C229 5622	Motor Control Board Bracket	83- 15
C229 5624	Key Counter Bracket	85- 2
C229 5625	Interface Bracket	85- 6
C229 5626	Upper Bracket - MPU Board	85- 3
C229 5628	Board Holder Stay	25- 1
C229 5631	Main Switch Bracket	21- 4
C229 5633	Rear Grounding Plate	85- 10
C229 5636	Flate Cable Bracket	85- 7
C229 5638	Grounding Plate	19- 19
C229 5644	Safety Switch Bracket	21- 5
C229 5645	Safety Switch Lever	21- 8
C229 5646	Safety Switch Spring	21- 9
C229 5656	Upper Ground Plate - PCB	83- 5
C229 5657	Lower Grounding Plate - PCB	83- 8
C229 5730	Paper Table Motor Bracket	31- 30
C229 5731	Paper Feed Motor Bracket	27- 20
C229 5732	Feed Pressuer Morot Bracket	33- 14

Part No.	Description	Page and Index No
C229 5733	Harness Cover - Paper Feed	33- 2
C229 5738	Master Sensor Cover	37- 5
C229 5800	Main Motor - DC24V 100W	23- 30
C229 5801	Stepper Motor	27- 17
C229 5802	Stepper Motor	75- 21
C229 5803	DC Motor - 50W	77- 15
C229 5803	DC Motor - 50W	59- 28
C229 5803	DC Motor - 50W	71- 18
C229 5803	DC Motor - 50W	27- 12
C229 5804	DC Motor - 20W	47- 23
C229 5804	DC Motor - 20W	61- 3
C229 5804	DC Motor - 20W	43- 18
C229 5805	Stepper Motor - DC24V	49- 12
C229 5807	Photosensor - Gp2a25	29- 24
C229 5807	Photosensor - GP2A25	31- 13
C229 5807	Photosensor - GP2A25	37- 16
C229 5807	Photosensor - GP2A25	43- 21
C229 5807	Photosensor - GP2A25	71- 22
C229 5810	Magnetic Clutch	73- 17
C229 5811	DC Motor - 50W	77- 27
C229 5812	Print Counter	21- 18
C229 5813	Switch	49- 26
C229 5814	DC Motor - 24V	31- 32
C229 5819	Outret Connector - 3P (Option)	85- 12
C229 5820	DC Motor - 20W	25- 5
C229 5820	DC Motor - 20W	59- 42
C229 5823	DC Motor - 20W	49- 3
C229 5824	Fam Motor - DC24V 0.6A	45- 5
C229 5825	Master Sensor	47- 15
C229 5825	Master Sensor	79- 30
C229 5825	Master Sensor	35- 1
C229 5825	Master Sensor	37- 4
C229 5828	Stepper Motor	27- 22
C229 5830	Release Solenoid	41- 25
C229 5832	Flat Cable Cover	85- 18

Part No.	Description	Page and Index No.
C229 5835	Power Supply Cord - 250V	85- 16
C229 8504	Image Editing Guide	97- 6
C229 8607	Operating Instructions - English NA	97- 5
C229 8608	Operating Instructions - English NA (RIC)	97- 5
C229 8690	Operating Instructions - English EU (NRG)	97- 5
C229 8697	Operating Instructions - English NA (OEM)	97- 5
C229 9000	Drive Adjustment Tool Kit	100- 1
C229 9010	Key Card Bracket	87- 13

Part No.	Description	Page and Index No.
AA06 3163	Connector Spring	35- 9
AA06 3163	Connector Spring	77- 6
AA08 2028	Bushing	73- 5
AA13 2080	Spacer - Cleaning Brush	55- 5
AA14 3005	Stepped Screw - M4x2.5	21- 7
AA14 3062	Shoulder Screw - M4	41- 15
AA14 3120	Stepped Screw - M3x3	77- 8
AA14 3120	Stepped Screw - M3x3	35- 8
AA14 3718	Stepped Screw - M4	43- 14
AA14 8447	Guide Pin - Platen Cover	11- 14
AA16 2067	Platen Cover Pad	17- 7
AC01 3004	Exposure Glass	13- 9
AG07 1009	Rotary Catch	87- 6
AG07 1009	Rotary Catch	21- 1
AG07 1010	Magnet Catch	21- 6
AW02 0075	Photointerrupter	59- 30
AW02 0075	Photointerrupter	77- 9
AW02 0075	Photointerrupter	71- 16
AW02 0075	Photointerrupter	65- 11
AW02 0075	Photointerrupter	61- 13
AW02 0075	Photointerrupter	47- 18
AW02 0075	Photointerrupter	25- 17
AW02 0075	Photointerrupter	49- 6
AW02 0075	Photointerrupter	27- 9
AW02 0075	Photointerrupter	31- 26
AW02 0075	Photointerrupter	43- 17
AW02 0075	Photointerrupter	33- 23
AW02 0075	Photointerrupter	41- 18
AW50 0012	Push Switch	61- 5
AW50 0012	Push Switch	77- 22
AW50 0012	Push Switch	35- 6
AX31 0024	Total Counter	21- 19
AZ00 0037	Power Supply Cord - 125V	85- 16
C200 2266	Bearing Holder	37- 1
C200 3712	Pulley	33- 7

Part No.	Description	Page and Index No.
C201 4604	Drum Rail Roller	55- 23
C201 4665	Bearing Holder	63- 2
C201 5125	Stepped Screw - M6	23- 21
C201 5125	Stepped Screw - M6	25- 6
C201 5125	Stepped Screw - M6	55- 29
C207 4150	Fixing Screw	53- 2
C207 4672	Gear - 36Z	23- 9
C209 3133	Retaining Ring - M6	33- 17
C209 4713	Hose Band	61- 19
C209 5092	Rubber Plate Lever	29- 13
C209 6136	Magnet Plate	53- 15
C209 8117	Drum Master Detection Sensor	71- 8
C209 8234	Drum Lock Solenoid	75- 29
C209 8288	Table Down Switch	21- 14
C213 2435	Magnet Plate	69- 20
C217 2455	Key Counter Cover	13- 13
C217 2455	Key Counter Cover	85- 1
C217 4426	Shoulder Screw	43- 11
C217 5102	Spring Washer	55- 3
C217 5126	Cam Follower Plate	37- 24
C217 5530	Pressure Release Spring	39- 3
C217 8447	DC Motor - 24C/7.2W	33- 15
C217 8447	DC Motor - 24V/7.2W	35- 12
C218 2525	Stepped Screw - M4	45- 7
C218 3039	Flat Cable Clamp	85- 9
C218 4038	Bushing Washer - M8	73- 28
C219 3950	Stepped Screw	55- 2
C219 4071	Gear - 17Z	75- 19
C219 8204	Vacuum Fan Motor - DC24V 0.3A	47- 21
C222 8208	Air Knife Motor	75- 24
C223 5031	Lower Spring - Separation	53- 20
C224 4715	Pump Spring - 13 Mm	59- 14
C225 2866	Decal - Keytop Cover (NRG)	15- 21
C225 2867	Decal - Keytop Cover (Nasua)	15- 21
C226 2740	Emblem	11- 21

Part No.	Description	Page and Index No
C227 6156	Upper Guide Shaft	53- 24
C227 6157	Guide Fence Spring	51- 3
C228 8030	IC - THERMAL HEAD DRIVE	91- 3
C403 1899	Rubber Bushing - M4	27- 19
C546 2080	Rear Cap	87- 7
C576 1050	Table Ass'y	87- 10
C576 1086	Door Hinge	87- 2
C576 1091	Magnet Catch Plate	87- 3
C576 1092	Magnet Catch	87- 5
C576 1093	Caster	87- 8
C576 1094	Caster Stopper	87- 9
C576 1100	Adjusting Screw - Table	87- 12
C577 1000	Option Drum Case Ass'y	87- 11
C577 1251	Decal - Drum Case	87- *
C577 8505	Installation Procedure	87- *
C580 1001	Interface Board	83- 1
C580 1500	Relay Harness	85- 5
C580 1550	Stepped Screw - M2.6	85- 4
C587 2449	Metal Screen Ass'y - A4	57- 8
C587 2476	Metal Screen Seal - A4	57- 4
C587 2543	Front Shield - Metal Screen - A4	57- 7
C587 2547	Rear Shield - Metal Screen - A4	57- 6
G011 3305	Gear - 16T	29- 22
H012 1181	Bushing- 6mm	71- 12
H012 1181	Bushing- 6mm	73- 9
H053 1600	Bushing - 6mm	69- 2
H053 1600	BUSHING - M6 : CμFE	73- 6
H053 1600	Bushing - 6mm	75- 12

Part No.	Description	Page and Index No.
A006 9104	Scanner Positioning Pin	100- 2
A030 1339	Plate Nut - Key Counter	13- 12
A049 3371	Magnet	75- 3
A049 3371	Magnet	81- 19
A053 1957	Flex Hinge - Platen Cover	17- 5
A077 4162	Shoulder Screw - M3	69- 7
A109 4775	Stepped Screw - M5	85- 8
A153 6409	Decal - Keytop Cover (NRG)	15- 21
A193 1231	Platen Cover Ass'y	17- 10
A193 1246	Platen Cover Hinge Ass'y	17- 9
A193 1317	Bracket - Platen Cover	17- 6
A193 1354	Cap - Memory	11- 17
A193 1381	Platen Cover Actuator	17- 3
A193 1386	Front Platen Cover	17- 4
A193 1391	Rear Platen Cover	17- 2
A193 1396	Original Holder	17- 1
A193 1669	2nd/3rd Mirror	67- 3
A193 1673	Lens Holder Ass'y	65- 9
A193 1680	Left Original Scale	13- 8
A193 1682	Scanner Drive Pulley Ass'y	67- 17
A193 1689	Right Inner Cover	65- 8
A193 1690	Scanner Motor - DC	67- 23
A193 1754	Bracket - Left Original Scale	65- 2
A193 1757	Rear Original Scale	13- 11
A193 1759	Stepped Screw	13- 18
A193 1760	1st Scanner Ass'y	67- 11
A193 1764	1st Mirror	67- 13
A193 1766	Wire Clamp	67- 7
A193 1767	1st Mirror Holder	67- 12
A193 1769	Clamp - Rear Wire	67- 10
A193 1770	2nd Scanner Ass'y	67- 2
A193 1776	Upper Harness Guide	67- 4
A193 1777	2nd/3rd Mirror Holder	67- 1
A193 1781	Lower Harness Guide	65- 4
A193 1783	Tension Spring	67- 21

Part No.	Description	Page and Index No.
A193 1784	Tension Spring	67- 19
A193 1786	Platen Cover Bracket	65- 1
A193 1790	Grounding Plate - Lens Block	65- 14
A193 1793	Scanner Home Sensor Stopper	65- 17
A193 1795	Seal - Scanner Frame	65- 16
A193 1796	Seal - Carriage	67- 26
A193 1798	Seal - Side Plate	67- 24
A193 1799	Harness Guide - Exposure Lamp	67- 9
A193 1816	Slide Rail	67- 30
A193 1817	Slide Rail 2	67- 31
A193 1818	Scanner Frame	65- 15
A193 1819	Front Seal - Scanner Frame	65- 10
A193 1820	Sheet:Base	67- 25
A193 1824	Left Inner Cover - Scanner Unit	65- 3
A193 1826	Lens Block Holder	65- 7
A193 1829	Ball Bearing - M8	67- 15
A193 1831	Rear Scanner Pulley	67- 29
A193 1832	Front Scanner Pulley	67- 18
A193 1838	Scanner Drive Wire	67- 20
A193 1840	Timing Belt - L220 B8	67- 16
A193 1841	Pulley - Front Left	67- 5
A193 1843	Motor Bracket	67- 27
A193 1844	Stepping Motor Cushion	67- 28
A193 1845	Pulley - Rear Left	67- 14
A193 1849	Tension Bracket	67- 22
A193 5468	Harness - SBU	65- 18
A193 5520	IC - GAPD	91- 1
A193 5550	IC - ADIPU M66359FP	91- 2
A193 5702	Exposure Lamp	67- 6
A193 5703	Exposure Lamp Harness	67- 8
A193 5730	Stabilizer - Xenon Lamp	65- 12
A193 5906	Original Sensor	65- 5
A193 9351	Ram Board 2	100- 3
A628 3111	ADF Stepped Screw	11- 14
A628 3192	Original Scale - LT	13- 7

Part No.	Description	Page and Index No.
A659 1272	Door Catch	87- 4
A659 1272	Door Catch	75- 8
A659 1272	Door Catch	11- 8

Part No.	Description	Page and Index No.
5053 0223	Bushing - 8mm	33- 18
5053 0223	Bushing - 8mm	19- 8
5053 0223	Bushing - 8mm	31- 15
5053 0419	Bushing - 10mm	25- 2
5053 0447	Bushing - 6mm	25- 19
5053 0447	Bushing - 6mm	41- 2
5054 0536	Magnet Catch Ass'y	75- 31
5054 0536	Magnet Catch Ass'y	61- 6
5054 0536	Magnet Catch Ass'y	29- 4
5054 0536	Magnet Catch Ass'y	55- 12
5054 0536	Magnet Catch Ass'y	53- 17
5070 0923	Spring Washer - Rotating Table	29- 10
5151 1009	Shoulder Screw - M4	31- 16
5205 5250	LED Sensor Type S	41- 21
5215 1980	Exposure Glass - A3T-3.2	13- 10
5219 1957	Stepped Screw - M4	33- 31
5304 1639	Bushing - 8mm	43- 5
5324 1658	Bushing- 4x8x4.5mm	49- 4
5350 1754	Stud - M5x4	57- 18
5419 5714	Stepped Screw - M4	33- 5
5419 5714	Stepped Screw - M4	35- 22
5442 1924	Exposure Glass Cushion	65- 13
5443 2713	Wave Washer	29- 23
5447 2681	Snap Ring	27- 7
5447 2681	Snap Ring	79- 21
5448 2804	Platen Cover Sheet	17- 8
5506 1536	Screw - M4x6	29- 9
5600 1403	Ball	59- 13
5606 2310	Roller	31- 5
5607 3927	Stepped Screw - M3x8	31- 17
5875 2088	Shoulder Screw - M4	55- 14

Part No.	Description	Page and Index No.
0241 6060B	Screw - M1.6x6	49-114
0242 0080Z	Screw - M2x8	79-106
0252 0080Z	Philips Pan Head Screw - M2x8	47-108
0312 5050Z	Philips Pan Head Screw - M2.5x5	63-106
0312 5050Z	Philips Pan Head Screw - M2.5x5	39-107
0313 0040B	Philips Pan Head Screw - M3x4	63-107
0313 0040B	Philips Pan Head Screw - M3x4	59-103
0313 0040B	Philips Pan Head Screw - M3x4	77-105
0313 0040B	Philips Pan Head Screw - M3x4	41-109
0313 0040Z	Philips Pan Head Screw - M3x4	63-102
0313 0060B	Philips Pan Head Screw - M3x6	35-105
0313 0060B	Philips Pan Head Screw - M3x6	73-105
0313 0060B	Philips Pan Head Screw - M3x6	83-112
0313 0060B	Philips Pan Head Screw - M3x6	43-109
0313 0060Z	Philips Pan Head Screw - M3x6	37-112
0313 0080B	Philips Pan Head Screw - M3x8	75-102
0313 0080B	Philips Pan Head Screw - M3x8	79-105
0313 0350B	Philips Pan Head Screw - M3x35	21-106
0313 0350B	Philips Pan Head Screw - M3x35	75-112
0314 0060Z	Philips Pan Head Screw - M4x6	59-112
0314 0060Z	Philips Pan Head Screw - M4x6	63-105
0314 0080B	Philips Pan Head Screw - M4x8	75-108
0314 0080Z	Philips Screw - 4x8	63-111
0314 0080Z	Philips Screw - 4x8	57-108
0314 0120Z	Philips Screw - 4x12	59-101
0314 0160B	Philips Pan Head Screw - M4x16	45-104
0314 0160B	Philips Pan Head Screw - M4x16	23-103
0314 0200B	Philips Pan Head Screw - M4x20	25-112
0314 0350Z	Screw - M4x35	47-111
0323 0060Z	Philips Sunk Screw - M3x6	63-101
0323 0100Z	Philips Sunken Head Screw - M3x10	13-108
0323 0100Z	Philips Sunken Head Screw - M3x10	85-101
0324 0140B	Philips Sunken Head Screw - M4x14	69-105
0352 0080B	Screw M2.5x8	71-103
0352 0080B	Screw M2.5x8	35-102

Part No.	Description	Page and Index No
0352 0080B	Screw M2.5x8	37-107
0352 5040B	Bind Screw - M2.5x4	49-107
0353 0040B	Screw - M3x4	59-106
0353 0040B	Screw - M3X4	25-109
0353 0040B	Screw - M3x4	33-105
0353 0040B	Screw - M3x4	61-101
0353 0040B	Screw - M3x4	35-106
0353 0040B	Screw - M3x4	43-106
0353 0040B	Screw - M3x4	75-113
0353 0040B	Screw - M3x4	71-105
0353 0040B	Screw - M3x4	31-107
0353 0040B	Screw - M3x4	27-104
0353 0040B	Screw - M3x4	47-110
0353 0040Z	Binding Head Screw M3x4 (100pcs)	13-106
0353 0050B	Philips Truss Head Screw - M3x5	49-105
0353 0050B	Philips Truss Head Screw - M3x5	21-103
0353 0050F	Tapping Screw - M3x5	65-102
0353 0060B	Philips Pan Head Screw - M3x6	75-114
0353 0060B	Philips Pan Head Screw - M3x6	29-108
0353 0060B	Philips Pan Head Screw - M3x6	71-102
0353 0060Z	Screw - M3x6	55-109
0353 0060Z	Screw - M3x6	57-102
0353 0060Z	Screw - M3X6	73-108
0353 0060Z	Screw - M3x6	61-108
0353 0060Z	Screw - M3x6	75-118
0353 0100Z	Bind Screw - M3x10	57-105
0354 0040Z	Screw - M4x4	57-103
0354 0040Z	Screw - M4x4	61-110
0354 0050B	Bind Screw - M4x5	31-101
0354 0060B	Screw - M4x6	75-103
0354 0060B	Screw - M4X6	51-101
0354 0060B	Screw - M4x6	43-105
0354 0060B	Screw - M4x6	37-109
0354 0060B	Screw - M4x6	69-108
0354 0060Z	Philips Truss Head Screw - M4x6	57-101

Part No.	Description	Page and Index No.
0354 0080B	Screw - M4X8	33-111
0354 0080B	Screw - M4x8	43-114
0354 0140B	Screw - M4x14	27-110
0450 3006B	Tapping Screw - M3x6	29-107
0450 3006B	Tapping Screw - M3x6	49-113
0450 3008B	Tapping Screw - M3x8	69-104
0450 3008B	Tapping Screw - M3x8	59-102
0450 3008B	Tapping Screw - M3x8	81-103
0450 3008W	Philips Tapping Screw - M3x8	13-102
0450 3010B	Tapping Screw - M3x10	65-103
0450 4006B	Tapping Screw - 4X6	33-104
0450 4008B	Tapping Screw - 4x8	87-104
0450 4008B	Tapping Screw - 4x8	41-105
0450 4008B	Tapping Screw - 4x8	61-105
0450 4008B	Tapping Screw - 4x8	11-101
0450 4008B	Tapping Screw - 4x8	39-102
0450 4008B	Tapping Screw - 4x8	47-107
0450 4010B	Tapping Screw - 4x10	11-102
0450 4010B	Tapping Screw - 4x10	27-108
0450 4010Z	Tapping Screw - M4x10	53-104
0450 4012	Tapping Screw - M4x12	17-101
0450 4025B	Tapping Screw With Washer - M4x25	31-110
0451 3005B	Tapping Screw - M3x5	21-109
0451 3006B	Tapping Screw - M3x6	87-105
0451 3006B	Tapping Screw - M3x6	35-103
0451 3006B	Tapping Screw - M3x6	27-102
0451 3006B	Tapping Screw - M3x6	37-103
0451 3006B	Tapping Screw - M3x6	19-104
0451 3006B	Tapping Screw - M3x6	75-101
0451 3006B	Tapping Screw - M3x6	71-101
0451 3006B	Tapping Screw - M3x6	67-101
0451 3006B	Tapping Screw - M3x6	25-110
0451 3006B	Tapping Screw - M3x6	39-104
0451 3006B	Tapping Screw - M3x6	79-102
0451 3006B	Tapping Screw - M3x6	85-105

Part No.	Description	Page and Index No
0451 3006B	Tapping Screw - M3x6	21-111
0451 3006B	Tapping Screw - M3x6	73-101
0451 3006B	Tapping Screw - M3x6	41-103
0451 3006B	Tapping Screw - M3x6	69-103
0451 3006B	Tapping Screw - M3x6	13-105
0451 3006B	Tapping Screw - M3x6	83-101
0451 3006B	Tapping Screw - M3x6	81-104
0451 3006B	Tapping Screw - M3x6	49-101
0451 3006B	Tapping Screw - M3x6	65-101
0451 3006B	Tapping Screw - M3x6	31-105
0451 3006B	Tapping Screw - M3x6	77-103
0451 3006Z	Tapping Screw - M3x6	45-105
0451 3008B	Tapping Screw - M3x8	67-104
0451 3008B	Tapping Screw - M3x8	51-106
0451 3008B	Tapping Screw - M3x8	49-111
0451 3008B	Tapping Screw - M3x8	65-107
0451 3008Z	Tapping Screw - M3x8	51-105
0451 3008Z	Tapping Screw - M3X8	11-107
0451 4006B	Tapping Screw - 4x6	77-106
0451 4006B	Tapping Screw - 4x6	45-102
0451 4006B	Tapping Screw - 4x6	23-107
0451 4006B	Tapping Screw - 4x6	41-101
0451 4006B	Tapping Screw - 4x6	21-104
0451 4006B	Tapping Screw - 4x6	43-101
0451 4006B	Tapping Screw - 4x6	85-102
0451 4006B	Tapping Screw - 4x6	31-102
0451 4006B	Tapping Screw - 4x6	25-101
0451 4006B	Tapping Screw - 4x6	33-101
0451 4006B	Tapping Screw - 4x6	49-104
0451 4006B	Tapping Screw - 4x6	47-101
0451 4006B	Tapping Screw - 4x6	29-101
0451 4006B	Tapping Screw - 4x6	27-105
0451 4006B	Tapping Screw - 4x6	79-104
0451 4006B	Tapping Screw - 4x6	13-104
0451 4006B	Tapping Screw - 4x6	19-103

Part No.	Description	Page and Index No.
0451 4006B	Tapping Screw - 4x6	37-105
0451 4006B	Tapping Screw - 4x6	35-101
0451 4006B	Tapping Screw - 4x6	83-111
0451 4006Z	Tapping Screw 4x6	45-103
0451 4006Z	Tapping Screw 4x6	51-102
0451 4006Z	Tapping Screw 4x6	69-107
0451 4006Z	Tapping Screw 4x6	11-108
0451 4008B	Philips Tapping Screw - M4x8	11-105
0451 4008B	Philips Tapping Screw - M4x8	75-106
0451 4008B	Philips Tapping Screw - M4x8	23-113
0451 4008B	Philips Tapping Screw - M4x8	81-101
0451 4008B	Philips Tapping Screw - M4x8	87-101
0451 4008B	Tapping Screw - 4x8	19-110
0451 4008B	Philips Tapping Screw - M4x8	21-108
0451 4008Z	Tapping Screw 4x8	11-103
0451 4008Z	Tapping Screw 4x8	13-103
0451 4008Z	Tapping Screw 4x8	45-107
0451 4008Z	Tapping Screw 4x8	69-106
0451 4010B	Tapping Screw - 4x10	11-109
0451 4010B	Tapping Screw - 4x10	39-109
0451 4010B	Tapping Screw - 4x10	41-107
0451 4010B	Tapping Screw - 4x10	19-101
0452 3006B	Tapping Screw - M3x6	29-102
0452 3008B	Tapping Screw - M3x8	53-103
0452 3008B	Tapping Screw - M3x8	87-102
0452 4008B	Tapping Screw - M4x8	47-105
0452 4008Z	Binding Self-Tapping Scrw - M4x8	29-104
0453 3006B	Tapping Screw - M3x6	39-103
0453 3006B	Tapping Screw - M3x6	11-104
0453 3006Z	Tapping Screw - M3x6	29-103
0453 3014B	Taping Screw - M3x14	67-103
0453 4006Z	Binding Self Tapping Screw - 4x6	31-104
0453 4006Z	Binding Self Tapping Screw:4X6	43-111
0453 4008Z	Tapping Bind Scrw - M4x8	29-106
0453 4008Z	Tapping Bind Screw - M4x8	13-107

Part No.	Description	Page and Index No
0573 0040E	Hexagon Headless Set Screw - M3x4	25-107
0574 0040E	Hexagon Headless Set Screw - M4x4	59-107
0574 0040E	Hexagon Headless Set Screw - M4x4	75-107
0574 0040E	Hexagon Headless Set Screw - M4x4	43-112
0574 0040E	Hexagon Headless Set Screw - M4x4	73-106
0574 0040E	Hexagon Headless Set Screw - M4x4	27-109
0574 0040E	Hexagon Headless Set Screw - M4x4	63-103
0574 0040E	Hexagon Headless Set Screw - M4x4	57-109
0574 0040E	Hexagon Headless Set Screw - M4x4	37-111
0574 0050E	Hexagon Headless Set Screw - M4x5	43-104
0574 0050E	Hexagon Headless Set Screw - M4x5	23-111
0575 0050E	Hexagon Headless Set Screw - M5x5	23-104
0575 0050E	Hexagon Headless Set Screw - M5x5	67-102
0586 0451Z	Hexagon Bolt - M6x45	41-104
0594 0100Z	Bolt - M4x10	57-110
0595 0080E	Hexagon Bolt - M5x8	23-101
0622 0100E	Spring Pin - 2x10mm	73-103
0623 0120E	Spring Pin - M3x12	75-115
0623 0140E	Spring Pin - 3x14	41-108
0623 0140E	Spring Pin - 3X14	47-113
0633 0140G	Parallel Pin - 3x14	33-102
0701 0030Z	Flat Washer - M3	75-117
0701 0060Z	Flat Washer - M6	73-107
0701 0080Z	Flat Washer - M8	29-105
0710 0040B	Hexagon Nut - M4	23-102
0720 0020E	Retaining Ring - M2	39-105
0720 0020E	Retaining Ring - M2	49-106
0720 0020E	Retaining Ring - M2	45-106
0720 0030E	Retaining Ring - M3	53-101
0720 0030E	Retaining Ring - M3	49-102
0720 0030E	Retaining Ring - M3	75-116
0720 0030E	Retaining Ring - M3	51-103
0720 0030E	Retaining Ring - M3	21-110
0720 0030E	Retaining Ring - M3	69-102
0720 0040E	Retaining Ring - M4	79-101

Part No.	Description	Page and Index No.
0720 0040E	Retaining Ring - M4	73-102
0720 0040E	Retaining Ring - M4	81-102
0720 0040E	Retaining Ring - M4	69-101
0720 0040E	Retaining Ring - M4	49-108
0720 0040E	Retaining Ring - M4	71-104
0720 0040E	Retaining Ring - M4	51-104
0720 0040E	Retaining Ring - M4	25-108
0720 0040E	Retaining Ring - M4	47-104
0720 0040E	Retaining Ring - M4	39-108
0720 0040E	Retaining Ring - M4	43-107
0720 0040E	Retaining Ring - M4	41-102
0720 0040E	Retaining Ring - M4	37-106
0720 0040E	Retaining Ring - M4	75-105
0720 0040E	Retaining Ring - M4	77-102
0720 0040E	Retaining Ring - M4	19-108
0720 0040E	Retaining Ring - M4	55-111
0720 0050Z	Retaining Ring - M5	33-112
0720 0050Z	Retaining Ring - M5	31-103
0720 0050Z	Retaining Ring - M5	59-105
0720 0050Z	Retaining Ring - M5	61-106
0720 0050Z	Retaining Ring - M5	55-112
0720 0060E	Retaining Ring - M6	27-101
0720 0060E	Retaining Ring - M6	35-104
0720 0060E	Retaining Ring - M6	37-101
0720 0060E	Retaining Ring - M6	25-103
0720 0060E	Retaining Ring - M6	33-103
0720 0060E	Retaining Ring - M6	19-105
0720 0060E	Retaining Ring - M6	43-102
0720 0060E	Retaining Ring - M6	23-106
0720 0080E	Retaining Ring - M8	25-102
0720 0080E	Retaining Ring - M8	43-103
0720 0080E	Retaining Ring - M8	23-105
0720 0080E	Retaining Ring - M8	47-102
0720 0080E	Retaining Ring - M8	39-101
0720 0080Z	Retaining Ring - M8	63-108

Part No.	Description	Page and Index No.
0725 0160E	Retaining Ring C - M16	63-109
0740 3008	Busiong - 8x22x7mm	37-104
0740 3010	Bushing - 10x26x8mm	47-103
0740 3203	Busing - 3x10x4mm	39-106
0740 3206	Ball Bearing - 6x19x6mm	61-107
0741 3706	Ball Bearing - 6x10x3	37-110
0801 0103	Screw - M4x8	55-113
0801 0150	Philips Screw - M4x8	83-109
0801 0150	Philips Screw - M4x8	85-106
0801 1004	Screw - M4X4	23-108
0801 1004	Screw - M4X4	19-102
0802 5097	Tapping Screw - M3x10	53-102
0802 5256	Tapping Screw - M3x8	11-106
0804 6058	Knob Screw	13-101
0805 3134	Ball Bearing - 10x26x8mm	23-112
0805 3134	Ball Bearing - 10x26x8mm	43-113
0805 3134	Ball Bearing - 10x26x8mm	25-105
0805 3205	Ball Bearing - 10x19x7mm	23-109
0805 3368	Ball Bearing - 8x16x5mm	33-109
0805 3385	Bushing - 6mm	77-101
0805 3385	Bushing - 6mm	79-103
0805 3386	Bushing - 8mm	37-102
0807 5037	Washer - 8.1mm	33-110
0807 7013	Spacer - 10.2x14x0.2 Mm	47-112
0807 7114	Washer - 16x24x0.3mm	63-110
0807 7114	Washer - 16x24x0.3mm	57-104
0951 3006Z	Philips Screw With Flat Washer - M3	55-102
0951 3006Z	Philips Screw With Flat Washer - M3	63-104
0951 3006Z	Philips Screw With Flat Washer - M3	19-106
0951 3006Z	Philips Screw With Flat Washer - M3	61-109
0951 3006Z	Philips Screw With Flat Washer - M3	47-106
0951 3006Z	Philips Screw With Flat Washer - M3	59-104
0951 3008Z	Philips Screw With Flat Washer - M3	55-103
0951 4006Z	Philips Screw With Flat Washer - M4	59-110
0951 4006Z	Philips Screw With Flat Washer - M4	61-102

Part No.	Description	Page and Index No.
0951 4006Z	Philips Screw With Flat Washer - M4	55-101
0951 4006Z	Philips Screw With Flat Washer - M4	57-106
0951 4008Z	Philips Screw With Flat Washer M4x8	59-109
0951 4008Z	Philips Screw With Flat Washer M4x8	61-104
0951 4008Z	Philips Screw With Flat Washer M4x8	55-104
0951 4008Z	Philips Screw With Flat Washer M4x8	57-107
0957 5012B	Screw With Washer - M5x12	87-103
1102 4201	CT Header - 2PIN	95-101
1102 4202	Connector - 3P	95-102
1102 4203	CT Header - 4P	91-101
1102 4203	CT Header - 4P	95-103
1102 4204	CT Header - 5PIN	95-104
1102 4205	CT Header- 6p	95-105
1102 4207	Connector - 8P	95-106
1102 4208	Connector - 9P	91-102
1102 4210	Connector - 11P	95-107
1102 4211	CT Header - 12P	91-103
1102 4211	CT Header - 12P	95-108
1102 4212	CT Header - 15P	95-109
1102 4212	CT Header - 15P	91-104
1102 4471	CT Header(h) - 15P	91-105
1102 4684	Connector - 5566-06R-210	95-110
1102 5003	Fiber Connector - Dc1002 -	95-111
1102 5305	Connector - 6P	95-112
1102 5409	Connector - 20P	91-106
1102 5410	CT Connector - 22P	95-113
1102 5410	Connector - 22P	91-107
1102 5411	Connector - 24P	91-108
1102 5413	Connector - 28P	95-114
1102 5413	Connector - 28P	91-109
1102 5414	Connector - 30P	95-115
1102 5414	Connector - 30P	91-110
1102 5418	Connector - 26P	91-111
1102 5420	Connector - 30P	91-112
1102 6594	Connector - 10P	95-116

Part No.	Description	Page and Index No
1102 6595	Connector - 11P	95-117
1102 7036	Connector - 30P	95-118
1102 7389	Connector - FH12-50S-0.5SV	91-113
1102 7445	Connector - 46P	85-109
1102 7455	Connector FX6-60S-0.8SV2	91-114
1102 7463	Connector KX14-70K8D1	91-115
1102 7880	Connector - FX6-100P-0.8SV	91-116
1102 7882	Connector - FX2-100S-1.27S	91-117
1102 7883	Connector - FX2CA2-100P-1.	95-119
1103 1422	Connector - HIF3F-20PA-2.54DSA	95-120
1104 0588	Dip Socket - 28p	91-118
1104 0588	Dip Socket - 28p	95-121
1105 0005	Nylon Clamp - 3n	31-106
1105 0008	Nylon Clamp - 2n	43-110
1105 0016	Nylon Clamp - 4n	61-103
1105 0016	Nylon Clamp - 4n	55-105
1105 0113	Edge - P108	73-104
1105 0113	Edge - P108	55-106
1105 0193	Nylon Stud	55-110
1105 0193	Nylon Stud	49-112
1105 0195	PCB Stud	65-105
1105 0199	Clamp	43-108
1105 0199	Clamp	41-106
1105 0199	Clamp	37-108
1105 0199	Clamp	77-107
1105 0199	Clamp	33-108
1105 0199	Clamp	45-101
1105 0199	Clamp	83-113
1105 0199	Clamp	27-103
1105 0199	Clamp	55-108
1105 0199	Clamp	59-108
1105 0199	Clamp	49-103
1105 0199	Clamp	25-106
1105 0199	Clamp	21-101
1105 0199	Clamp	19-107

Part No.	Description	Page and Index No.
1105 0229	Clamp	49-110
1105 0229	Clamp	47-109
1105 0229	Clamp	31-108
1105 0229	Clamp	25-111
1105 0230	Clamp	33-107
1105 0230	Clamp	75-111
1105 0290	Harness Clamp - Horizontal	65-104
1105 0291	Harness Clamp - LWS-3S	85-103
1105 0291	Harness Clamp - LWS-3S	27-106
1105 0291	Harness Clamp - LWS-3S	75-110
1105 0291	Harness Clamp - LWS-3S	83-107
1105 0292	Wire Saddle	83-102
1105 0292	Wire Saddle	85-107
1105 0310	Harness Clamp - LWS-1S	85-108
1105 0310	Harness Clamp - LWS-1S	77-104
1105 0310	Harness Clamp - LWS-1S	61-111
1105 0310	Harness Clamp - LWS-1S	19-109
1105 0310	Harness Clamp - LWS-1S	75-109
1105 0310	Harness Clamp - LWS-1S	31-109
1105 0310	Harness Clamp - LWS-1S	59-111
1105 0310	Harness Clamp - LWS-1S	83-104
1105 0310	Harness Clamp - LWS-1S	21-102
1105 0328	Harness Clamp - ES-0505	75-104
1105 0328	Harness Clamp - ES-0505	49-115
1105 0329	Clamp - ES-0510	55-107
1105 0329	Clamp - ES-0510	33-106
1105 0413	Harness Clamp	23-110
1105 0413	Harness Clamp	25-104
1105 0413	Harness Clamp	83-103
1105 0413	Harness Clamp	49-109
1105 0413	Harness Clamp	71-106
1105 0413	Harness Clamp	27-107
1105 0413	Harness Clamp	85-104
1105 0415	Spacer - 12.7mm	65-106
1107 0652	Fuse - 10A 125V	83-115

Part No.	Description	Page and Index No
1107 0712	Fuse - K19374/5A	83-105
1107 0874	Fuse - 10A 125V	83-108
1107 0875	Fuse 1A 250V (230V)	83-114
1107 0876	Fuse 2A 250V (115V)	83-114
1107 0880	Fuse - 6.3A 250V	83-108
1204 1545	Main Switch	21-105
1204 2356	Micro Switch - Am51612a531	21-107
1204 2373	Key Bord Switch - Skqdpa	91-119
1400 0392	Transistor - DTC114EK	91-120
1400 0455	Transistor - 2SC2873Y	95-122
1400 0720	Transistor - DTC143ZSA	95-123
1401 0835	Diode - 1SS190	95-124
1402 0780	Diode - 200v - 1A - 11ES2	95-125
1402 1206	Zener Diode	91-121
1402 1206	Zener Diode	95-126
1403 0828	Diode - SEC1901C	91-122
1403 0829	Diode - SEC1201C	91-123
1403 0829	Diode - SEC1201C	95-127
1407 1535	IC - TD62308AP	95-128
1407 1600	TTLIC SN74LS244NS	95-129
1407 1600	TTLIC SN74LS244NS	91-124
1407 1605	TTLIC SN74LS157NS	95-130
1407 1746	TTL - SN74LS240NS	95-131
1407 2134	TTLIC - 74F32SJ	91-125
1407 2137	IC - 74F138SJ	91-126
1407 2143	TTLIC - 74F244SJ	91-127
1407 2187	TTLIC - SN74LS07NS	91-128
1407 2187	TTLIC - SN74LS07NS	95-132
1407 2219	IC - TD62003AP	95-133
1407 2247	TTL SN74LS164NS	95-134
1407 2261	IC - NJM2902M	95-135
1407 2561	TTLIC - 74F157ASJ	91-129
1407 4315	IC - TE7751	95-136
1407 4565	IC - TE6251	91-130
1407 4671	Fifo M66256FP	91-131

Part No.	Description	Page and Index No.
1407 4683	MPU HD6413003TF-10	91-132
1407 4696	SRAM M48T58Y-70PC1	91-133
1407 4734	IC - M66257FP	91-134
1407 4755	ROM MBM29F800T-12PFTN	91-135
1408 0575	IC - M51957BFP	91-136
1408 0595	IC - NJM2904M	95-137
1408 0611	IC - 3771	95-138
1408 0827	IC - TA8429H	95-139
1408 1121	IC - STK6713BMK4	95-140
1408 1204	IC - TA8083P	95-141
1408 1225	IC - STK672-040	95-142
1408 1226	Regulator - 3.3v-pq3tz53	91-137
1503 0572	Oscillater - 14.7456mhz	95-143
1503 0820	Oscillater - 29.4912MHZ	91-138
1503 0821	Oscillater - 30MHZ	91-139
1601 7801	Resistor Array - 10K Ω \pm 5	91-140
1601 7805	Resistor Array - 33 Ω \pm 5	91-141
1601 8186	Variable Resistor - 200K OH	95-144
1602 0987	Capacitor & Coil - 270pF 10	95-145
1602 7011	Capacitor - 270pF \pm 20% 50V	95-146
1604 2527	Capacitor - 100uF \pm 2	91-142
1604 4333	Capacitor - 100 μ F \pm 20% 10V	91-143
1605 0577	Capacitor - 0.33 μ F +80-20%	91-144
1606 1137	Capacitor - 5pF \pm 20%	91-145
1606 1985	Capacitor - 0.033 μ F \pm 5% 50	95-147
1606 1986	Capacitor - 0.1 μ F \pm 5% 16V	95-148
1607 0622	Fettite Core - TFC16816	83-106
1607 0638	Ferrite Core - TFC25-15-12	83-110
1607 0705	Noize Filter - ACF51832-470	91-146
1607 0906	EMI Filter - ACF321825-101	91-147
1607 0927	Filter - Acf321825-220	91-148
1610 1234	Resistor - 47 Ω 1W	95-149
1630 2100	Resistor - 10 Ω 1/8W \pm 5%	91-149
1630 2221	Resistor - 220 Ω	95-150

Part No.	Description	Page and Index No
1630 3102	Resistor - 1K Ω 1/10W \pm 5%	95-151
1630 3102	Resistor - 1K Ω 1/10W \pm 5%	91-150
1630 3103	Resistor - 10K Ω 1/10W \pm 5	95-152
1630 3103	Resistor - 10K Ω 1/10W \pm 5	91-151
1630 3105	Resistor - 1M Ω \pm 5% 1/10	95-153
1630 3121	Resistor - 120 Ω \pm 5% 1/1	95-154
1630 3151	Resistor - 150 Ω \pm 5% 1/1	95-155
1630 3152	Resistor - 1.5k Ω - 1/10W	95-156
1630 3221	Resistor - 220 Ω \pm 5% 1/1	95-157
1630 3243	Resistor - 24K Ω \pm 5% 1/10	95-158
1630 3330	Resistor - 33 Ω \pm 5% 1/10	91-152
1630 3331	Resistor - 330 Ω \pm 5% 1/1	95-159
1630 3332	Resistor - 3.3K Ω 1/10W \pm	95-160
1630 3332	Resistor - 3.3K Ω 1/10W \pm	91-153
1630 3392	Resistor - 3.9k Ω - 1/10W	95-161
1630 3471	Resistor - 470 Ω - 1/10W	91-154
1630 3471	Resistor - 470 Ω - 1/10W	95-162
1630 3472	Resistor - 4.7K Ω 1/10W \pm	95-163
1630 3562	Resistor - 5.6K Ω +5% 1/1	95-164
1630 3682	Resistor - 6.8k Ω - 1/10W	95-165
1630 3683	Resistor - 68K Ω \pm 5% 1/10	95-166
1630 3824	Resistor - 820K Ω \pm 5% 1/1	95-167
1630 4101	Resistor - 100 Ω \pm 5% 1/1	91-155
1630 4102	Resistor - 1.0K Ω \pm 5% 1/1	91-156
1630 4103	Resistor - 10K Ω \pm 5% 1/16	91-157
1630 4105	Resistor - 1.0M Ω \pm 5% 1/1	91-158
1630 4222	Registor - 2.2k Ω - \pm 5%	91-159
1630 4303	Resistor - 30K Ω \pm 5% 1/16	91-160
1630 4330	Resistor - 33 Ω \pm 5% 1/8W	91-161
1630 4471	Resistor - 470 Ω \pm 5% 1/1	91-162
1630 4472	Resistor - 4.7K Ω \pm 5% 1/1	91-163
1633 0000	Resistor - 0 Ω 1/10W	91-164
1633 0000	Resistor - 0 Ω 1/10W	95-168

Part No.	Description	Page and Index No.
1633 1002	Resistor - 10K Ω \pm 1% 1/1	91-165
1633 3741	Resistor - 3.7K Ω \pm 5% 1/	91-166
1640 5100	Capacitor - 10uF \pm 20	95-169
1640 5101	Capacitor - 100 μ F \pm 20% 50V	95-170
1642 0101	Capacitor - 100 μ F \pm 20% 50V	95-171
1642 2100	Capacitor - 10 μ F \pm 20% 25V	95-172
1643 0100	Capacitor - 10 μ F \pm 20% 10V	95-173
1644 5109	Capacitor - 1 μ F \pm 20% 25V	91-167
1644 5479	Capacitor - 4.7 μ F \pm 20% 50V	91-168
1644 6220	Capacitor 22 μ F \pm 20% 6.3v	91-169
1660 1100	Capacitor - 10pF 50V	91-170
1660 2151	Capacitor - 150pF \pm 20% 35V	91-171
1660 2220	Capacitor - 22pF \pm 20% 35V	95-174
1660 2221	Capacitor - 220pF +80-20% 5	95-175
1660 2471	Capacitor - 470pF - \pm 5% -	95-176
1660 3150	Capacitor - 15pF 50V	91-172
1660 3470	Capacitor - 47pF \pm 5% 50V	91-173
1660 3471	Capacitor - 470pF 50V	91-174
1660 7103	Capacitor - 10000pF +80 -20% 5	95-177
1660 7103	Capacitor - 10000pF +80,-20% 5	91-175
1660 7104	Capacitor - 10000pF +80 -20%	95-178
1660 9104	C - 0.1 μ F 25V	91-176
1902 0002	IC - 64K X8 70NS G1	91-177
1902 0006	IC - SRAM 256KX8 70NS G1	91-178
1902 0015	SRAM 1M X8 70NS G2	91-179
1904 0013	Sram - 256k X8 20ns G2	91-180

Part No.	Description	Page and Index No